

4

3

2

1

THIS DRAWING IS UNPUBLISHED.

RELEASED FOR PUBLICATION

2011

© COPYRIGHT 2011

ALL RIGHTS RESERVED.

LOC

DIST

REVISIONS

AI

-

P

LTR

DESCRIPTION

DATE

DWN

APVD

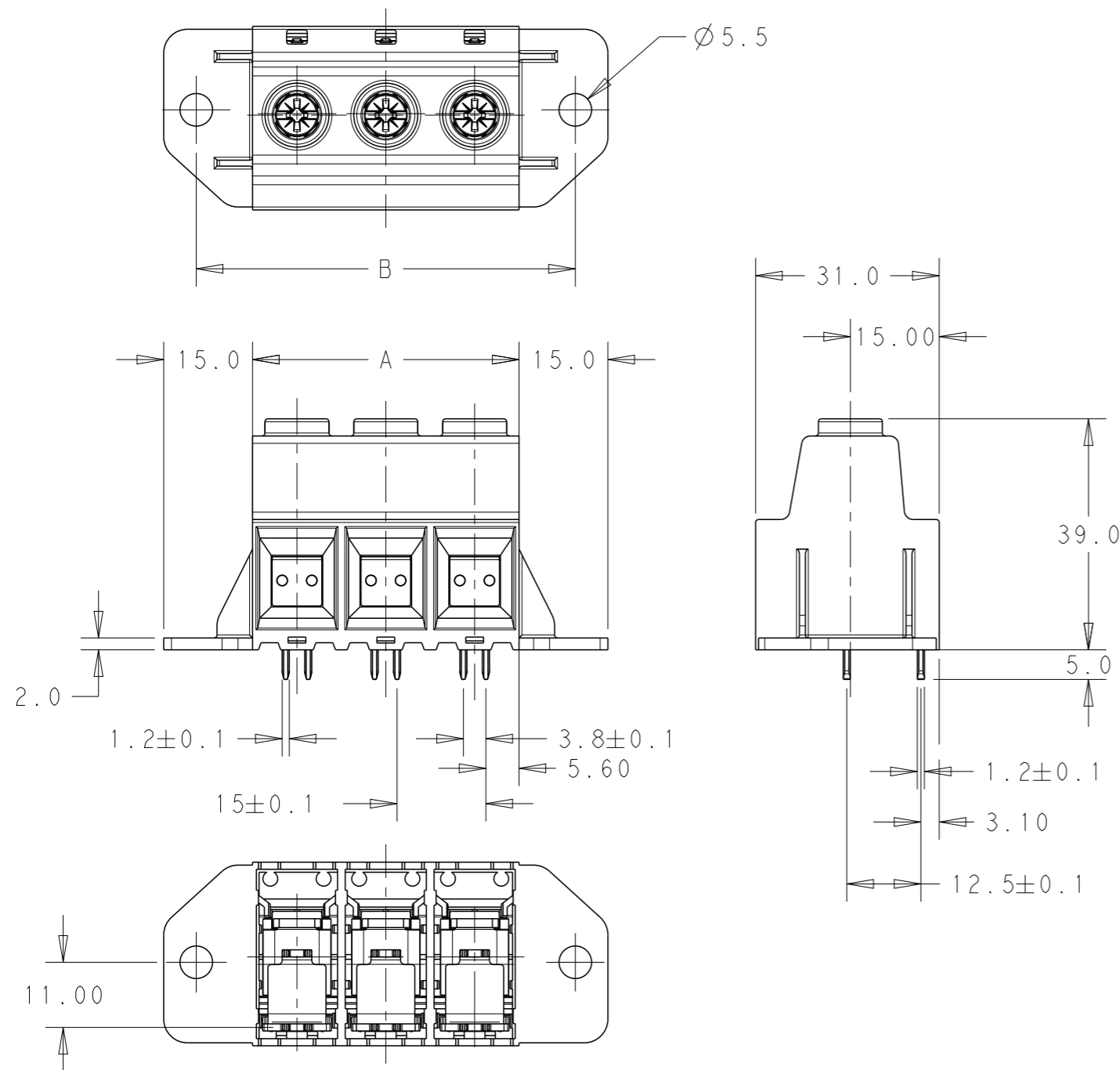
B1

DIM "B" ADDED

05DEC2014

PS

JK



NOTES:

1. MATERIALS:

HOUSING-PA66, UL94 VO, COLOR-GREEN

SCREW- M5, STEEL, NICKEL PLATED

CLAMP- STEEL, NICKEL PLATED

CONTACT PIN- BRASS, TIN PLATED

2. MECHANICAL:

PCB THICKNESS-2.40 MAX

PCB HOLE DIAMETER-1.60 MIN

STRIP LENGTH-18 mm

OPERATING TEMPERATURE:-40°C TO +110°C

RECOMMENDED/HIGHEST TIGHTENING TORQUE-2.1/2.5 Nm.

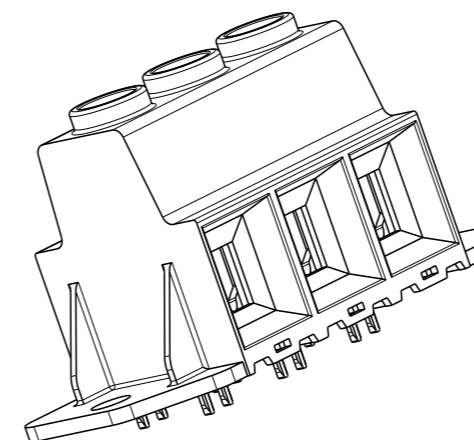
3. ELECTRICAL:

WIRE RANGE- 20 TO 1 AWG

VOLTAGE RATING- 600 VOLTS

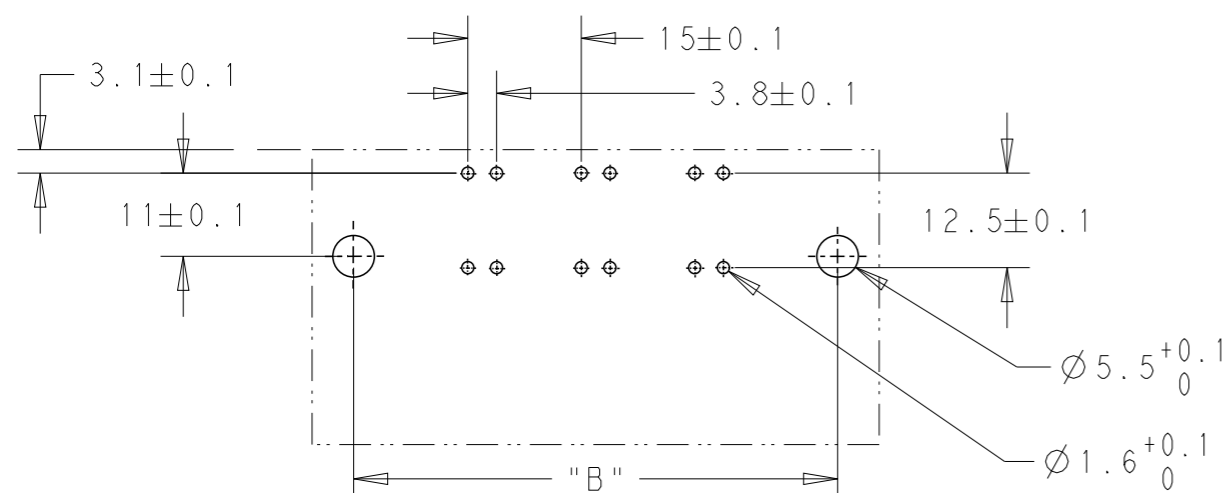
CURRENT RATING-130 A FIELD WIRING;135A FACTORY WIRING

CONTACT RESISTANCE-15 mOHM MAX

INSULATION RESISTANCE- 10^9 OHMS MIN (500V DC)SCALE 1:1
-3 AS SHOWN

199.00	180.00	12	1-1986715-2
184.00	165.00	11	1-1986715-1
169.00	150.00	10	1-1986715-0
154.00	135.00	9	1986715-9
139.00	120.00	8	1986715-8
124.00	105.00	7	1986715-7
109.00	90.00	6	1986715-6
94.00	75.00	5	1986715-5
79.00	60.00	4	1986715-4
64.00	45.00	3	1986715-3
49.00	30.00	2	1986715-2
DIM "B"	DIM "A"	POLE	PART NUMBER

RECOMMENDED PCB LAYOUT



THIS DRAWING IS A CONTROLLED DOCUMENT.

DWN 13SEP2011

RAGHAVENDRA

CHK 13SEP2011

SARVER MICHAEL

APVD 13SEP2011

SARVER MICHAEL

PRODUCT SPEC

-

APPLICATION SPEC

-

WEIGHT

-

DIMENSIONS:

mm

TOLERANCES UNLESS

OTHERWISE SPECIFIED:

0 PLC

 \pm

1 PLC

 ± 0.25

2 PLC

 ± 0.20

3 PLC

 \pm

4 PLC

 \pm

ANGLES

 $\pm 1^\circ$

MATERIAL

-

FINISH

-



TE Connectivity

NAME
POWER TERMINAL BLOCK, DOUBLE PIN
MOUNTING FLANGES; PITCH 15.00 mm

SIZE

CAGE CODE

DRAWING NO

RESTRICTED TO

A3

00779

C=1986715

-

Customer Drawing

SCALE 1:1

SHEET 1 OF 1

REV B1

1470-19 (3/11)

X-ON Electronics

Largest Supplier of Electrical and Electronic Components

Click to view similar products for [Fixed Terminal Blocks](#) category:

Click to view products by [TE Connectivity](#) manufacturer:

Other Similar products are found below :

[MBE-1512](#) [MBE-154](#) [MBE-156](#) [MBES-153](#) [MBES-156](#) [MH-2512](#) [MHE-132](#) [MHE-163](#) [MI-254 \(35\)](#) [MI-272](#) [880507](#) [MPT-275](#)
[15602-04-08-21](#) [ELM023100](#) [BA311TU](#) [BA411SU](#) [MV-152](#) [MV-252-D](#) [MV-253/NCNOC](#) [MV-254-D](#) [MV-255](#) [MV-462](#) [MV-493](#) [MVE-](#)
[252](#) [MVE-253](#) [MVE-273](#) [MVEB-153](#) [1700096](#) [1705142](#) [1712417](#) [1713020](#) [1713088](#) [1745195](#) [1760594](#) [1776118-2](#) [1790852](#) [1-796689-8](#)
[1-796692-6](#) [1800001](#) [1800114](#) [1995279](#) [20020314-C121B01LF](#) [20020316-G041B01LF](#) [CB2-12](#) [KP03215000J0G](#) [KP04215000J0G](#) [S451](#)
[282802-2](#) [29.007](#) [29.116](#)