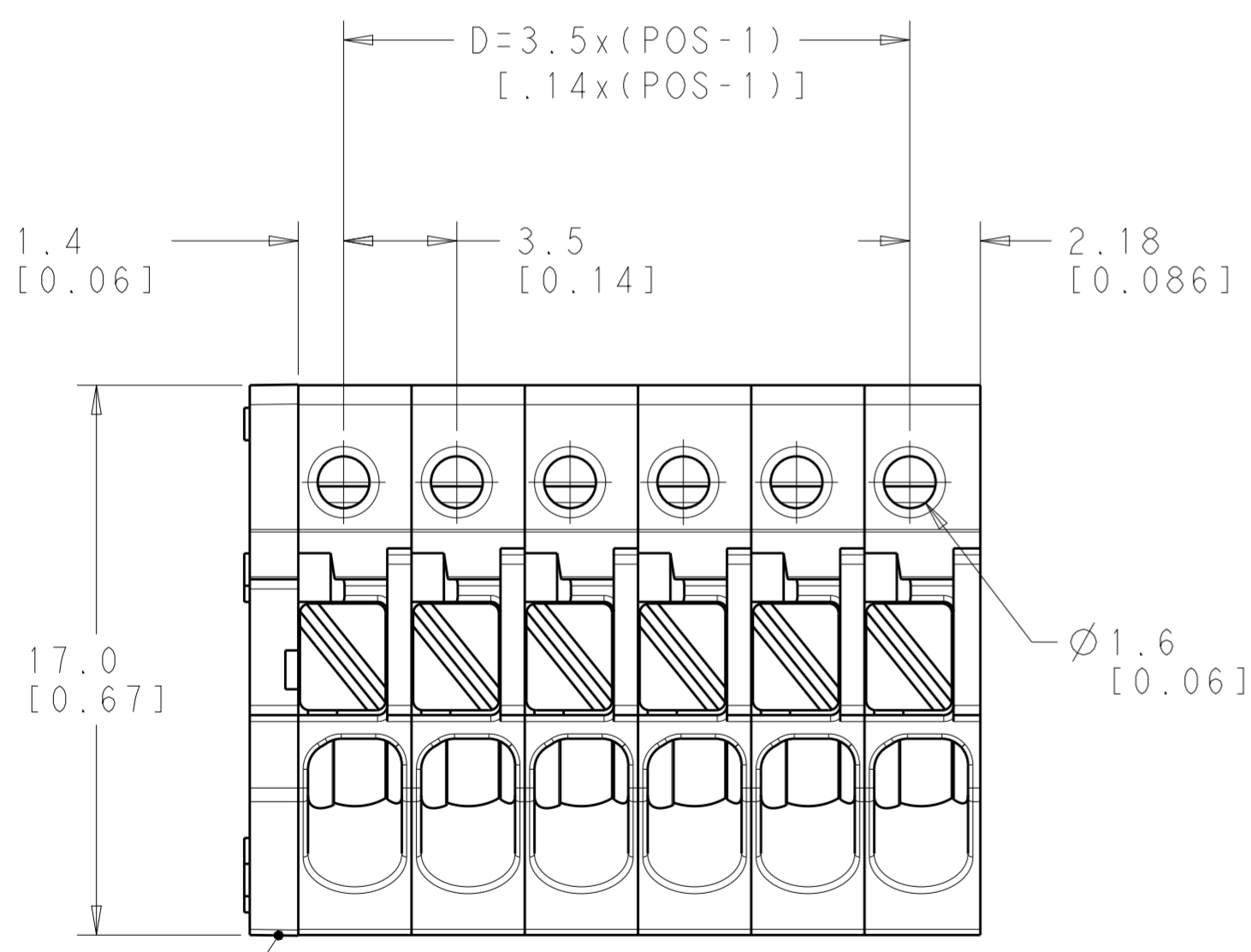
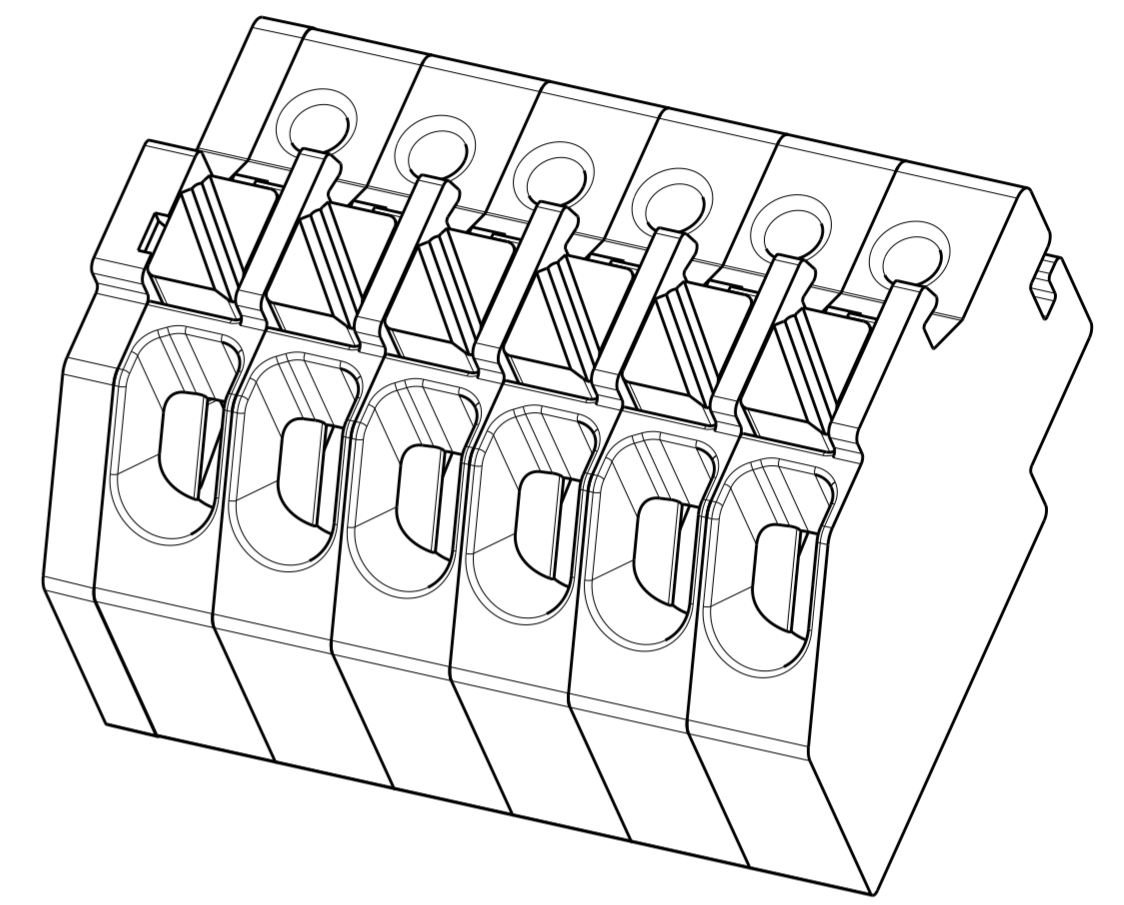
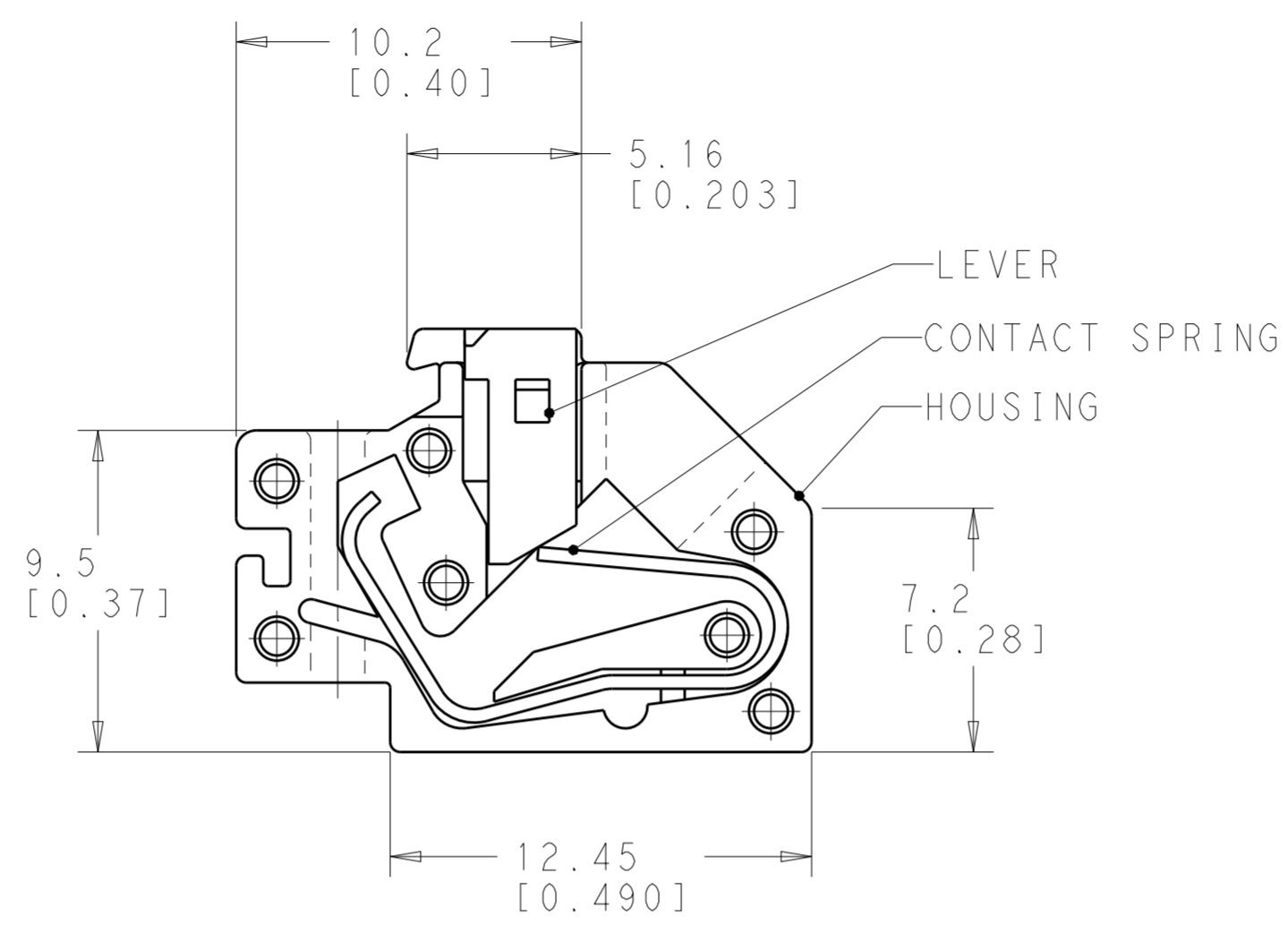
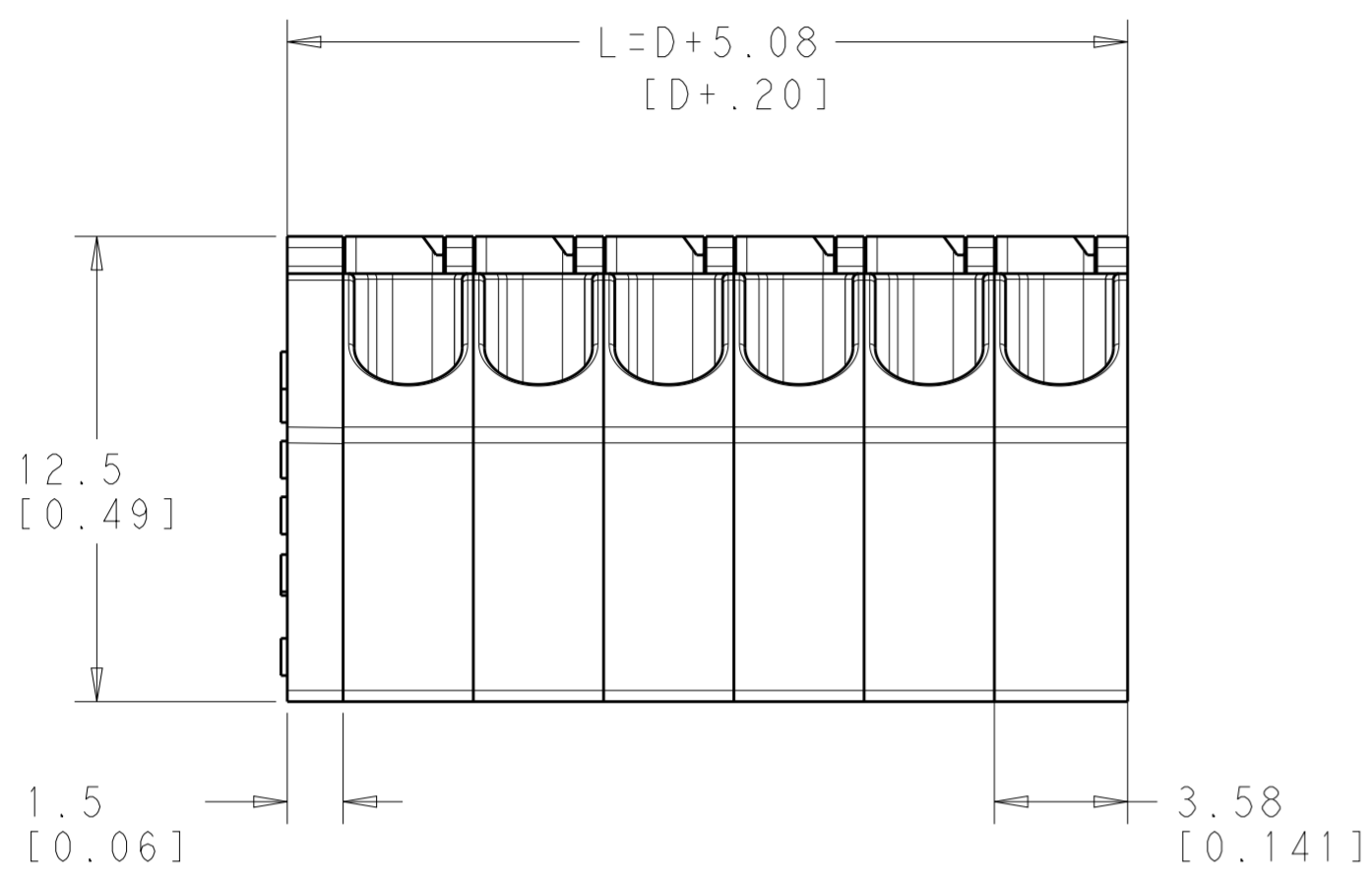


THIS DRAWING IS UNPUBLISHED. RELEASED FOR PUBLICATION 2011
 © COPYRIGHT 2011 ALL RIGHTS RESERVED.

LOC	DIST	REVISIONS					
FT	0	P	LTR	DESCRIPTION	DATE	DWN	APVD
		A2		REVISED PER ECO-14-012607	28AUG2014	NK	MM



NOTE

MATERIALS:
 HOUSING-POLYAMIDE, COLOR-GREEN
 COVER-POLYAMIDE, COLOR-GREEN
 LEVER-POLYAMIDE, COLOR-ORANGE
 SPRING-STAINLESS STEEL-TIN PLATED

MECHANICAL
 INSERTION FORCE-2.5 N/POLE
 WITHDRAW FORCE-4.5 N/POLE
 STRIP LENGTH-8.5 - 10 MM
 OPERATING TEMPERATURE--40°C TO +110°C

ELECTRICAL
 WIRE RANGE- 20 TO 16 AWG, SOLID OR STRANDED
 VOLTAGE RATING- 150 VOLTS
 CURRENT RATING-2 AMP
 CONTACT RESISTANCE-15 MILLOHM MAX
 INSULATION RESISTANCE-10⁹ OHMS MIN (500V DC)

- 6 AS SHOWN

24.50	29.58	8	1986716-8
21.00	26.08	7	1986716-7
17.50	22.58	6	1986716-6
14.00	19.08	5	1986716-5
10.50	15.58	4	1986716-4
7.00	12.08	3	1986716-3
3.50	8.58	2	1986716-2
DIM D	DIM L	POS	PART NO

COVER

THIS DRAWING IS A CONTROLLED DOCUMENT.

DIMENSIONS: MM [INCH]	TOLERANCES UNLESS OTHERWISE SPECIFIED: 0 PLC ± 1 PLC ±0.20[.008] 2 PLC ±0.20[.008] 3 PLC ± 4 PLC ± ANGLES ±1° FINISH	DWN YASHKUMAR 09NOV2011	TE Connectivity
		CHK SARVER MICHAEL 09NOV2011	
		APVD SARVER MICHAEL 09NOV2011	NAME
MATERIAL		PRODUCT SPEC	SPRING TYPE FLUSH MT PLUG CONNECTOR 02 -8 POLES, PITCH 3.50mm
		APPLICATION SPEC	SIZE CAGE CODE DRAWING NO RESTRICTED TO A200779 C-1986716 -
		WEIGHT	SCALE 5:1 SHEET 1 OF 1 REV A2
		CUSTOMER DRAWING	

X-ON Electronics

Largest Supplier of Electrical and Electronic Components

Click to view similar products for [Pluggable Terminal Blocks](#) category:

Click to view products by [TE Connectivity](#) manufacturer:

Other Similar products are found below :

[57.510.0053](#) [MC 1.5/ 6-ST-3.5 GY AU](#) [734-104](#) [734-302](#) [8-141-P](#) [8426620000](#) [860505](#) [860516](#) [860810](#) [GBPACX-12](#) [93.731.4953.0](#) [PV05-5,08-K](#) [PVP02-5,00](#) [PVP03-3,50](#) [PVP04-3,50](#) [PVS02-5,00](#) [1-1986160-3](#) [1377680000](#) [1531000000](#) [1546228-5](#) [ELFH16150](#) [ELFP03110](#) [ELFP10210](#) [ELFT06250](#) [ELVP03100](#) [1700101](#) [1700410](#) [1700425](#) [1702246](#) [1705229](#) [1710175](#) [1714537](#) [1717806](#) [1719600](#) [1728941](#) [1734692](#) [1734795](#) [1736036](#) [1740194](#) [1740291](#) [1740628](#) [1740990](#) [1746952](#) [1750207](#) [1752441](#) [1752865](#) [1754115](#) [1754144](#) [1756913](#) [1760051](#)