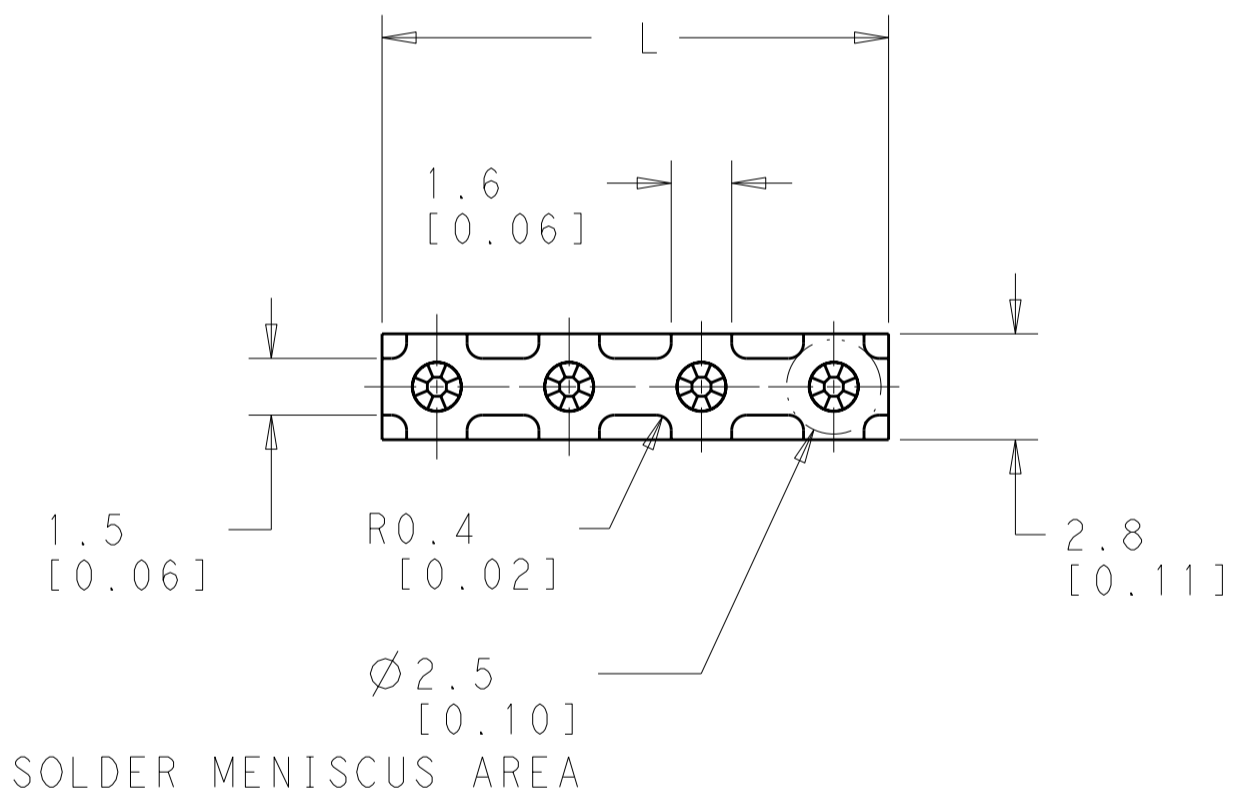
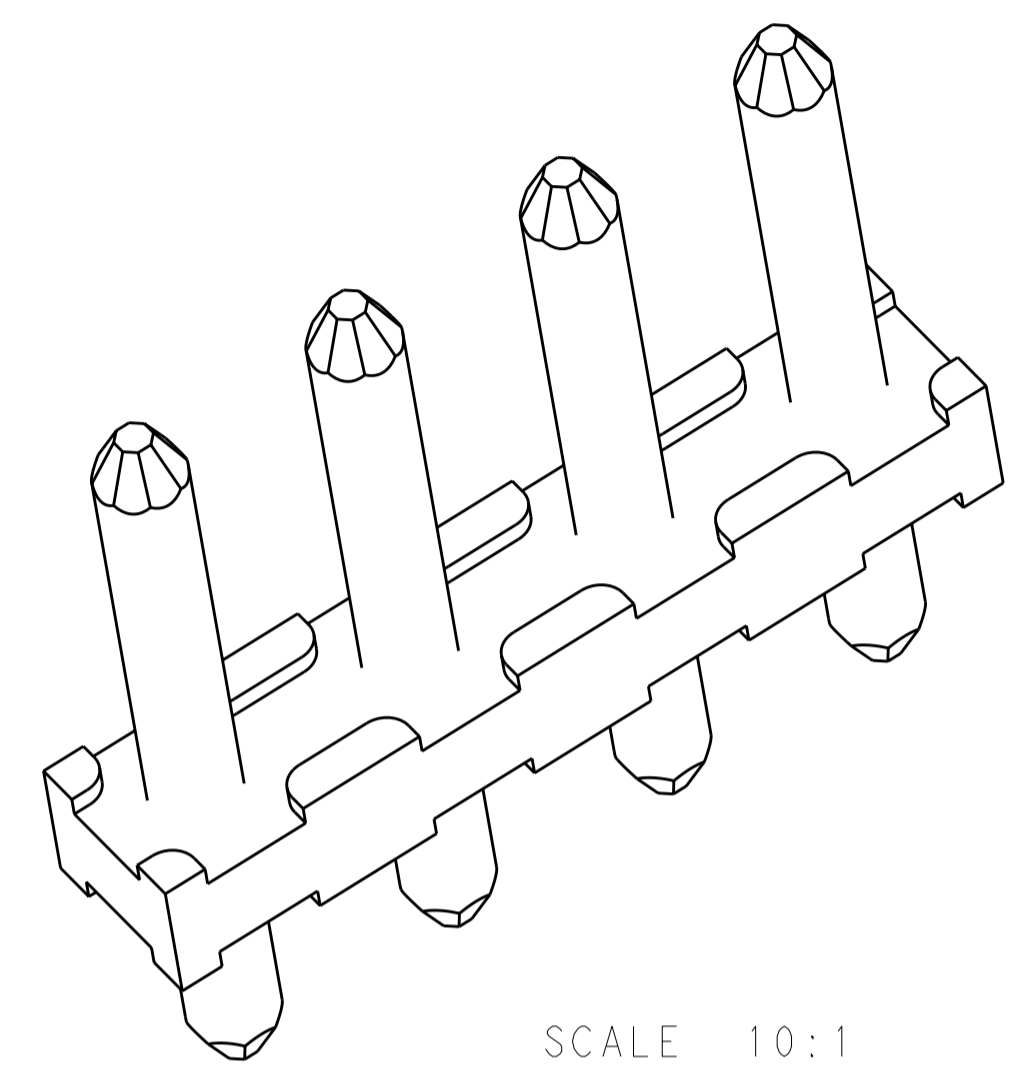
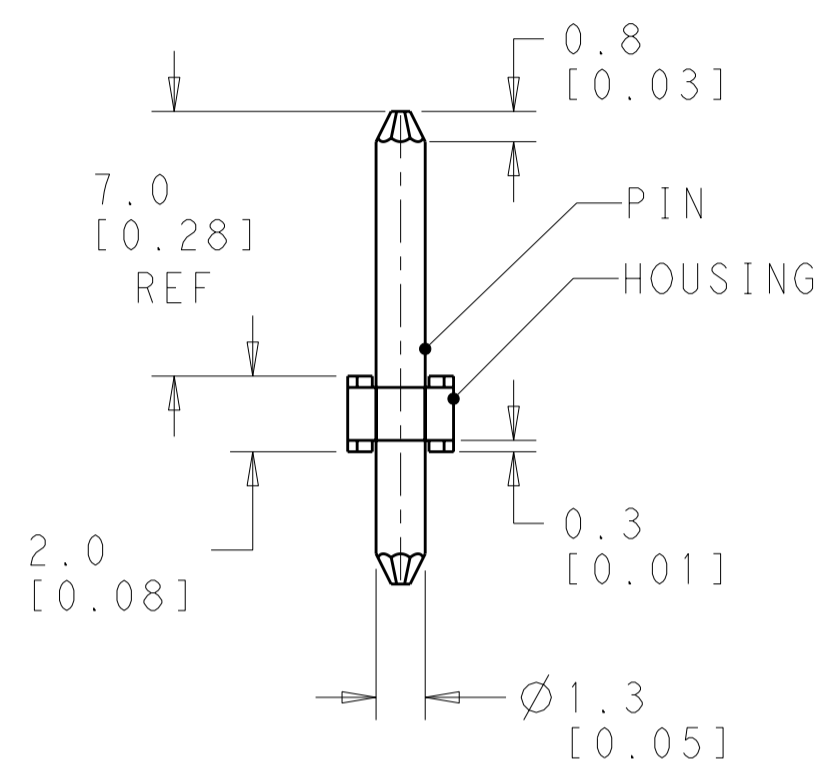
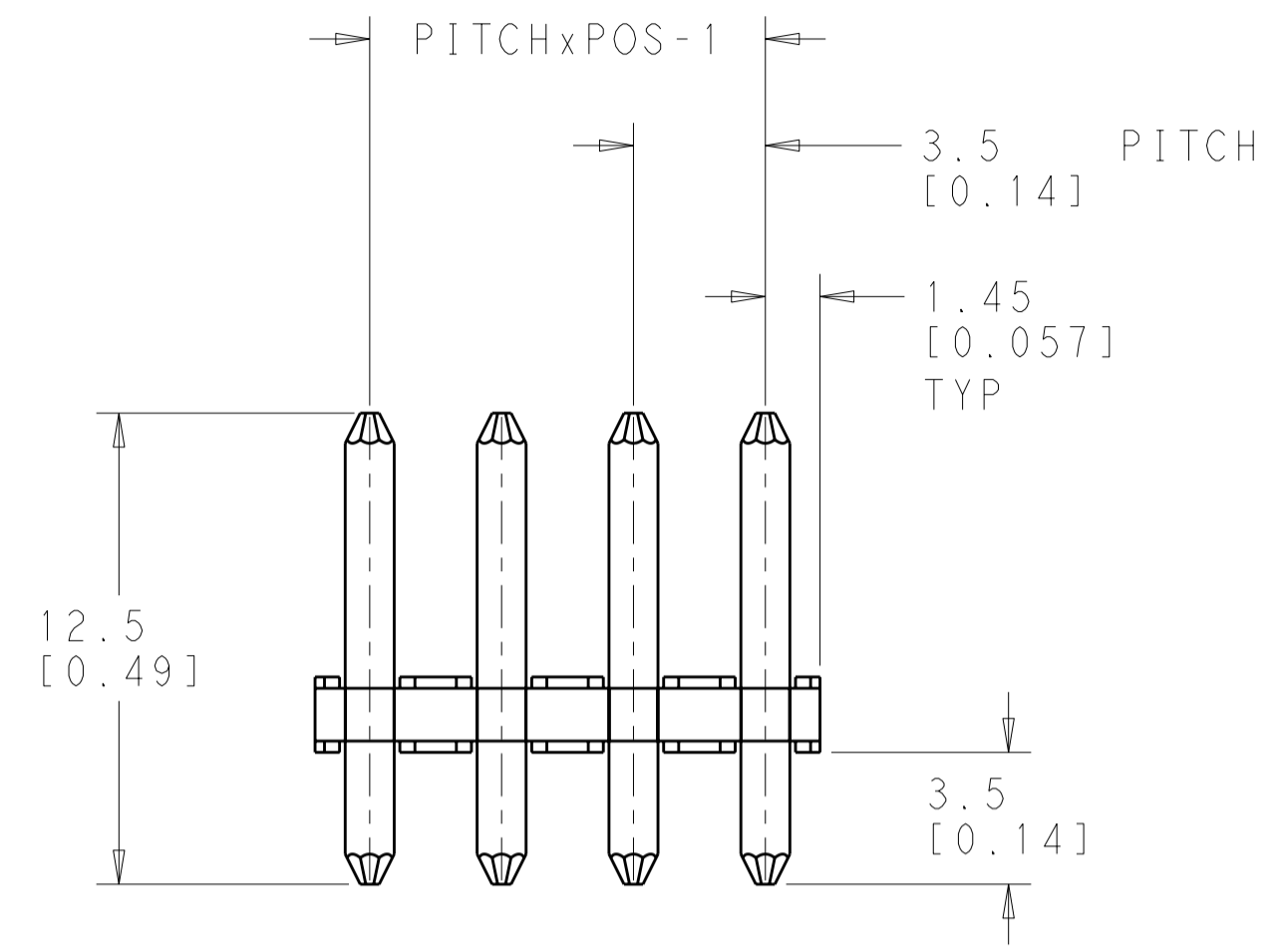


THIS DRAWING IS UNPUBLISHED. RELEASED FOR PUBLICATION 2011
 © COPYRIGHT 2011 ALL RIGHTS RESERVED.

LOC		DIST		REVISIONS			
P	LTR	DESCRIPTION	DATE	DWN	APVD		
	B2	REVISED PER ECO-12-007712	24APR2012	KH	MS		

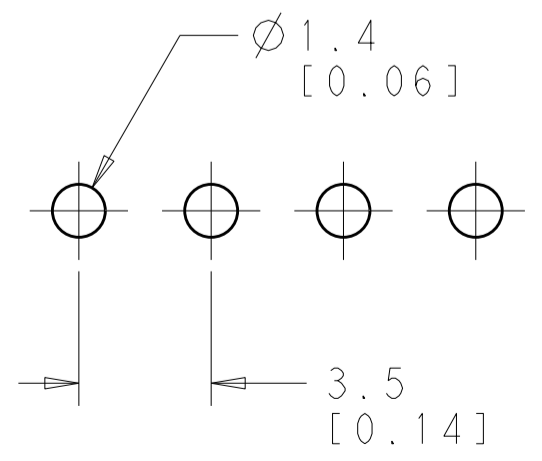


NOTE

MATERIALS:
 HOUSING-POLYAMIDE, COLOR-GREEN
 PIN- COPPER ALLOY - TIN PLATE

MECHANICAL:
 RECOMMENDED PCB HOLE-1.4 to 1.5mm
 PIN DIAMETER-1.30
 PIN LENGTH (MATING)-7.00 MM
 PIN LENGTH (PCB)-3.50 MM
 OPERATING TEMPERATURE--40°C TO +110°C

ELECTRICAL:
 VOLTAGE RATING- 150 VOLTS
 CURRENT RATING-2 AMP
 CONTACT RESISTANCE-15 MILLOHM MAX
 INSULATION RESISTANCE-10⁹ OHMS MIN (500V DC)



27.40 [1.079]	8	1986717-8
23.90 [0.941]	7	1986717-7
20.40 [0.803]	6	1986717-6
16.90 [0.665]	5	1986717-5
13.40 [0.528]	4	1986717-4
9.90 [0.390]	3	1986717-3
6.40 [0.252]	2	1986717-2
DIM L	POS	PART NO

- 4 AS SHOWN

THIS DRAWING IS A CONTROLLED DOCUMENT.		DWN YASHKUMAR 09NOV2011	TE Connectivity	
DIMENSIONS: MM [INCH]		CHK SARVER MICHAEL 09NOV2011		
TOLERANCES UNLESS OTHERWISE SPECIFIED:		APVD SARVER MICHAEL 09NOV2011	NAME MALE CONNECTOR, UNSHROUDED HEADER WITH STANDARD BASE-SOLDERABLE UP TO 275DEG C STRAIGHT, SIDE STACKABLE, PIN 1.3 mm 02 - 8 POLES PITCH 3.50mm	
0 PLC ±-		PRODUCT SPEC	SIZE	RESTRICTED TO
1 PLC ±0.20		APPLICATION SPEC	CAGE CODE	
2 PLC ±0.20		WEIGHT	DRAWING NO	
3 PLC ±-			A200779	
4 PLC ±-			C=1986717	
ANGLES ±°				
FINISH				
MATERIAL		CUSTOMER DRAWING	SCALE 5:1	SHEET 1 OF 1 REV B2

X-ON Electronics

Largest Supplier of Electrical and Electronic Components

Click to view similar products for [Pluggable Terminal Blocks](#) category:

Click to view products by [TE Connectivity](#) manufacturer:

Other Similar products are found below :

[57.510.0053](#) [MC 1.5/ 6-ST-3.5 GY AU](#) [734-104](#) [734-302](#) [8-141-P](#) [8426620000](#) [860505](#) [860516](#) [860810](#) [GBPACX-12](#) [93.731.4953.0](#) [PV05-5,08-K](#) [PVP02-5,00](#) [PVP03-3,50](#) [PVP04-3,50](#) [PVS02-5,00](#) [1-1986160-3](#) [1377680000](#) [1531000000](#) [1546228-5](#) [ELFH16150](#) [ELFP03110](#) [ELFP10210](#) [ELFT06250](#) [ELVP03100](#) [1700101](#) [1700410](#) [1700425](#) [1702246](#) [1705229](#) [1710175](#) [1714537](#) [1717806](#) [1719600](#) [1728941](#) [1734692](#) [1734795](#) [1736036](#) [1740194](#) [1740291](#) [1740628](#) [1740990](#) [1746952](#) [1750207](#) [1752441](#) [1752865](#) [1754115](#) [1754144](#) [1756913](#) [1760051](#)