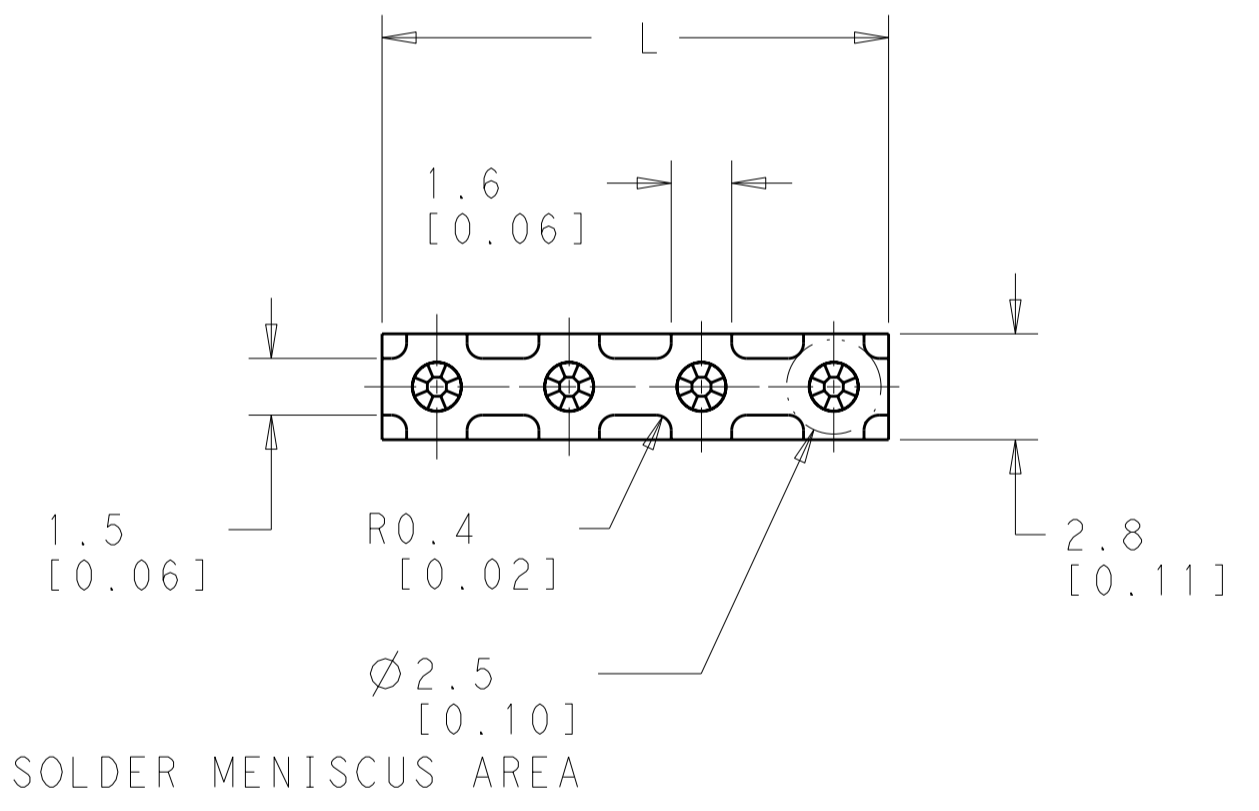
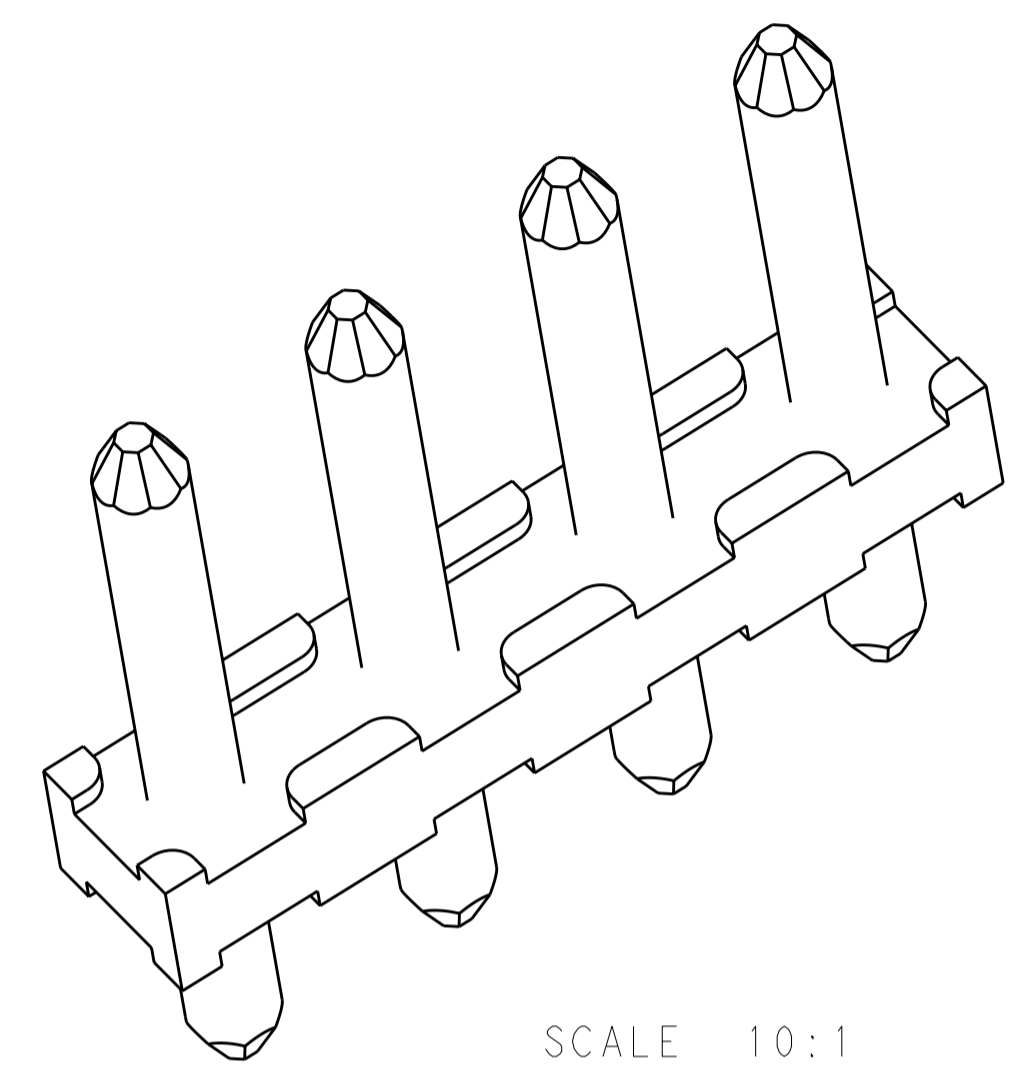
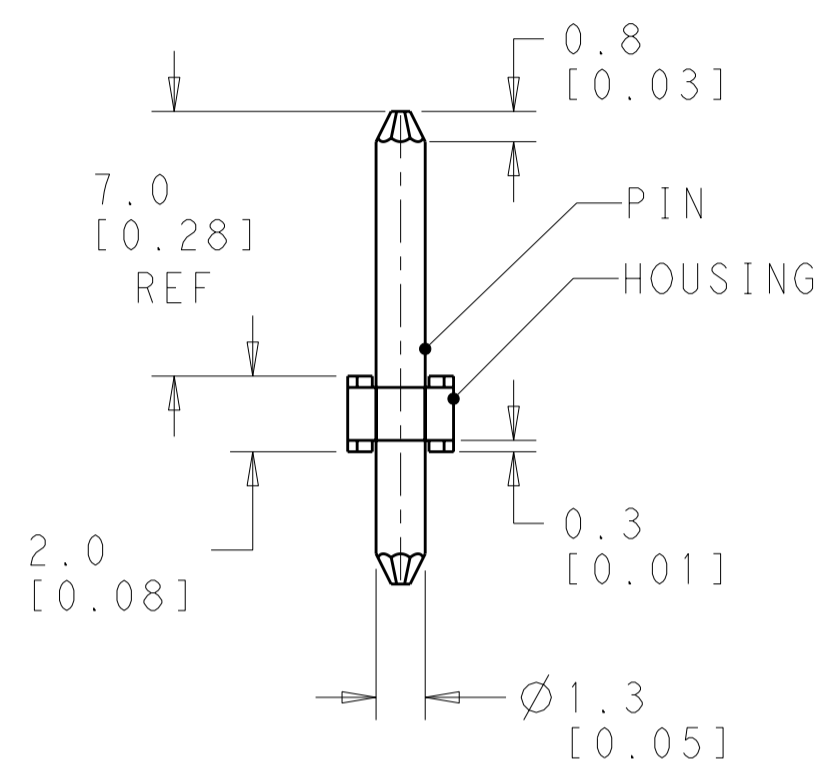
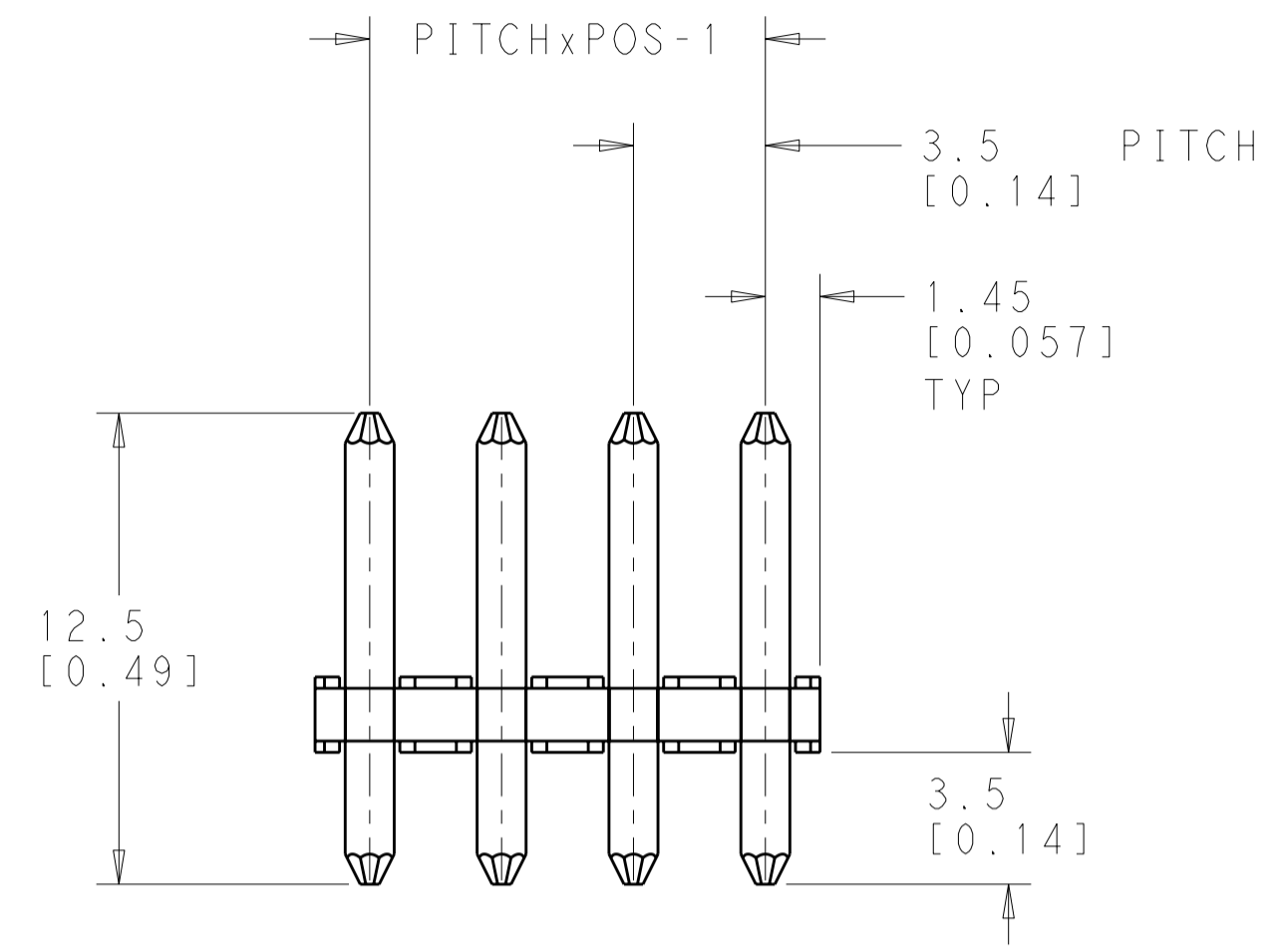


THIS DRAWING IS UNPUBLISHED. RELEASED FOR PUBLICATION 2011
 © COPYRIGHT 2011 ALL RIGHTS RESERVED.

| LOC | | DIST | | REVISIONS | | | |
|-----|-----|---------------------------|-----------|-----------|------|--|--|
| P | LTR | DESCRIPTION | DATE | DWN | APVD | | |
| | B2 | REVISED PER ECO-12-007712 | 24APR2012 | KH | MS | | |



NOTE

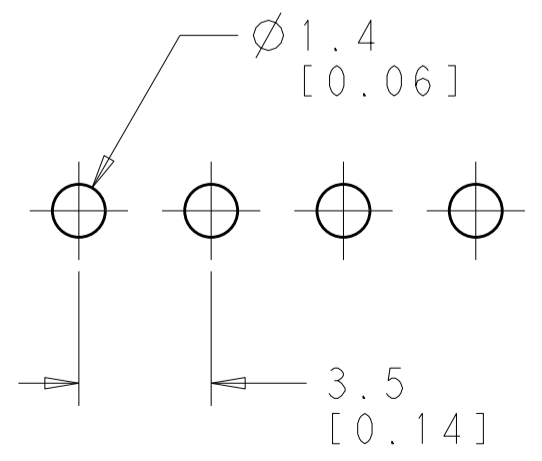
MATERIALS:
 HOUSING-POLYAMIDE, COLOR-GREEN
 PIN- COPPER ALLOY - TIN PLATE

MECHANICAL:
 RECOMMENDED PCB HOLE-1.4 to 1.5mm
 PIN DIAMETER-1.30
 PIN LENGTH (MATING)-7.00 MM
 PIN LENGTH (PCB)-3.50 MM
 OPERATING TEMPERATURE--40°C TO +110°C

ELECTRICAL:
 VOLTAGE RATING- 150 VOLTS
 CURRENT RATING-2 AMP
 CONTACT RESISTANCE-15 MILLOHM MAX
 INSULATION RESISTANCE-10⁹ OHMS MIN (500V DC)

| | | |
|---------------|-----|-----------|
| 27.40 [1.079] | 8 | 1986717-8 |
| 23.90 [0.941] | 7 | 1986717-7 |
| 20.40 [0.803] | 6 | 1986717-6 |
| 16.90 [0.665] | 5 | 1986717-5 |
| 13.40 [0.528] | 4 | 1986717-4 |
| 9.90 [0.390] | 3 | 1986717-3 |
| 6.40 [0.252] | 2 | 1986717-2 |
| DIM L | POS | PART NO |

- 4 AS SHOWN



| | | | | |
|--|--|-------------------------------|--|---------------------|
| THIS DRAWING IS A CONTROLLED DOCUMENT. | | DWN YASHKUMAR 09NOV2011 | TE Connectivity | |
| DIMENSIONS: MM [INCH] | | CHK SARVER MICHAEL 09NOV2011 | | |
| TOLERANCES UNLESS OTHERWISE SPECIFIED: | | APVD SARVER MICHAEL 09NOV2011 | NAME MALE CONNECTOR, UNSHROUDED HEADER WITH STANDARD BASE-SOLDERABLE UP TO 275DEG C STRAIGHT, SIDE STACKABLE, PIN 1.3 mm 02 - 8 POLES PITCH 3.50mm | |
| 0 PLC ± | | PRODUCT SPEC | SIZE | RESTRICTED TO |
| 1 PLC ±0.20 | | APPLICATION SPEC | CAGE CODE | |
| 2 PLC ±0.20 | | WEIGHT | DRAWING NO | |
| 3 PLC ± | | | A200779 | |
| 4 PLC ± | | | C=1986717 | |
| ANGLES ±° | | | | |
| FINISH | | | | |
| MATERIAL | | CUSTOMER DRAWING | SCALE 5:1 | SHEET 1 OF 1 REV B2 |

X-ON Electronics

Largest Supplier of Electrical and Electronic Components

Click to view similar products for [Pluggable Terminal Blocks](#) category:

Click to view products by [TE Connectivity](#) manufacturer:

Other Similar products are found below :

[57.510.0053](#) [MC 1.5/ 6-ST-3.5 GY AU](#) [734-104](#) [734-302](#) [8-141-P](#) [8426620000](#) [860505](#) [860516](#) [860810](#) [GBPACX-12](#) [93.731.4953.0](#) [PV05-5,08-K](#) [PVP02-5,00](#) [PVP03-3,50](#) [PVP04-3,50](#) [PVS02-5,00](#) [1-1986160-3](#) [1377680000](#) [1531000000](#) [1546228-5](#) [ELFH16150](#) [ELFP03110](#) [ELFP10210](#) [ELFT06250](#) [ELVP03100](#) [1700101](#) [1700410](#) [1700425](#) [1702246](#) [1705229](#) [1710175](#) [1714537](#) [1717806](#) [1719600](#) [1728941](#) [1734692](#) [1734795](#) [1736036](#) [1740194](#) [1740291](#) [1740628](#) [1740990](#) [1746952](#) [1750207](#) [1752441](#) [1752865](#) [1754115](#) [1754144](#) [1756913](#) [1760051](#)