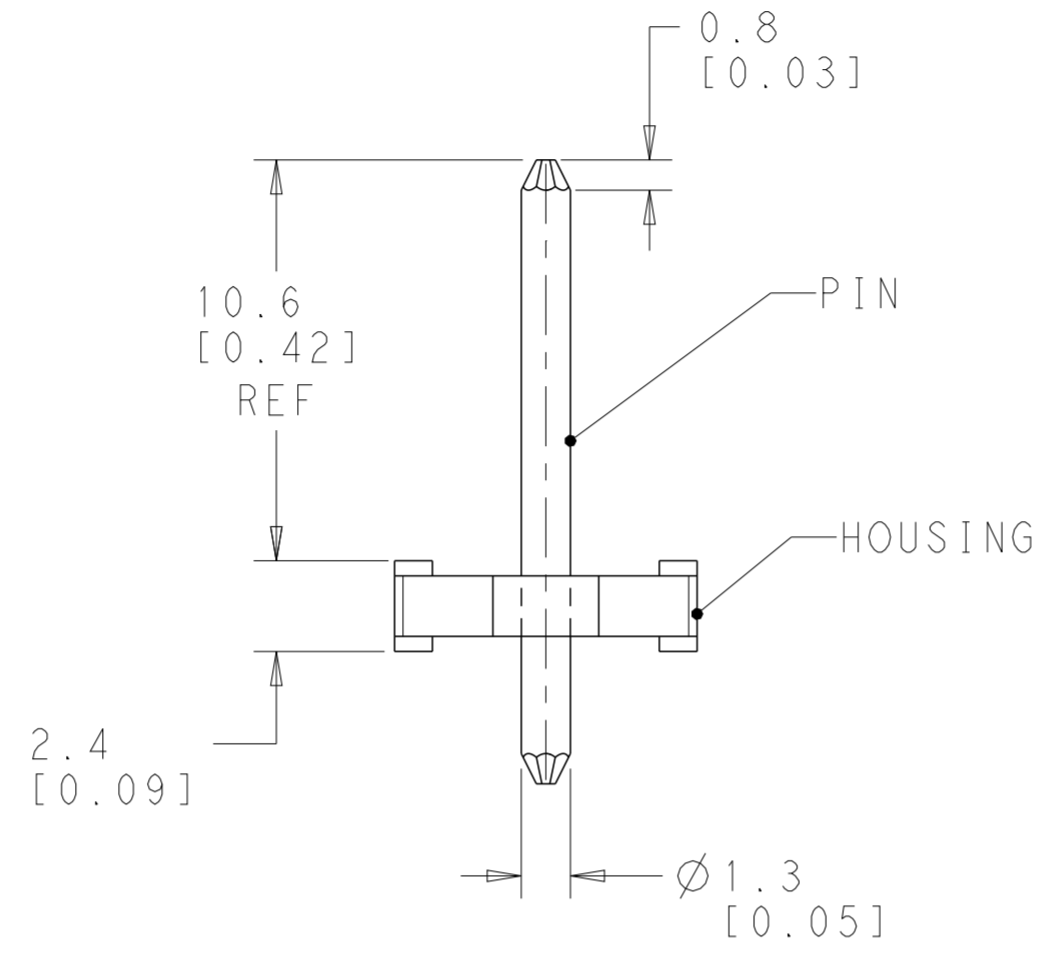
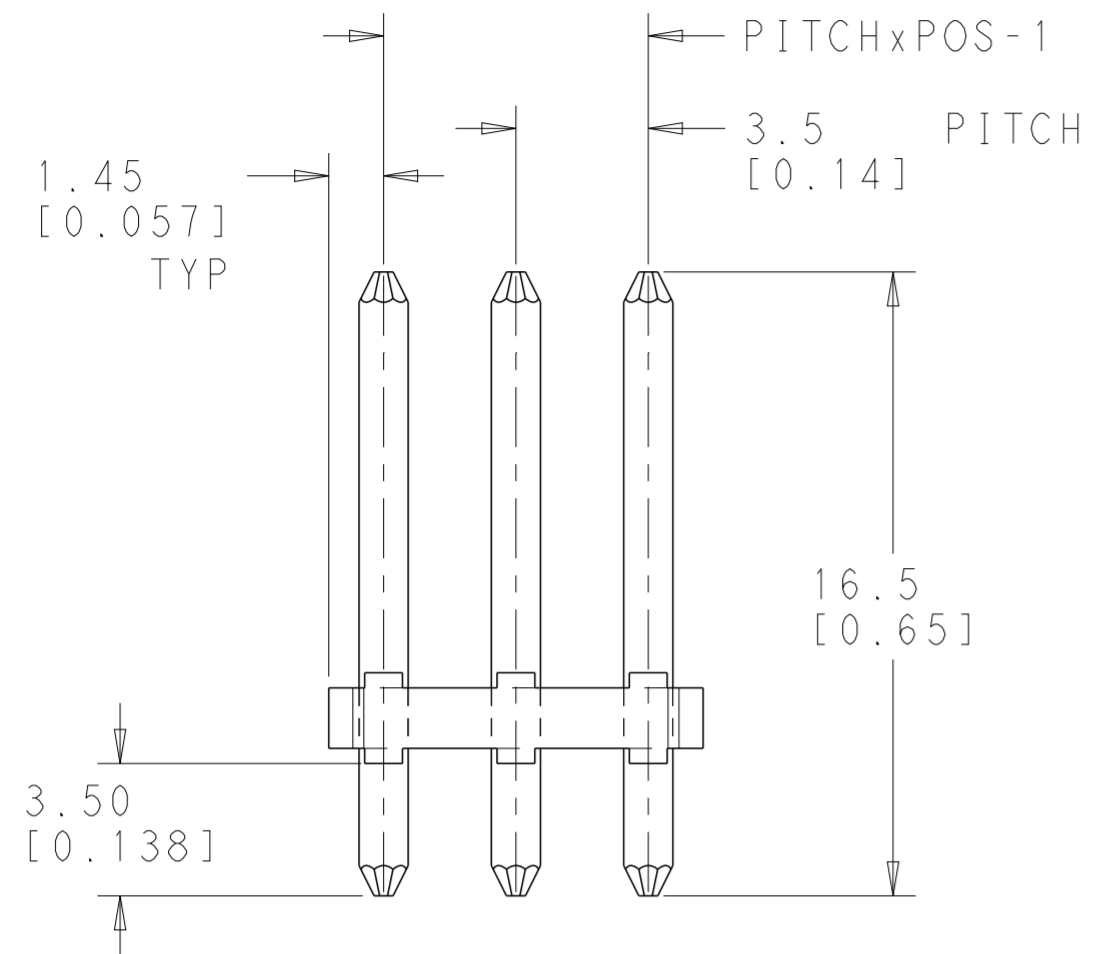
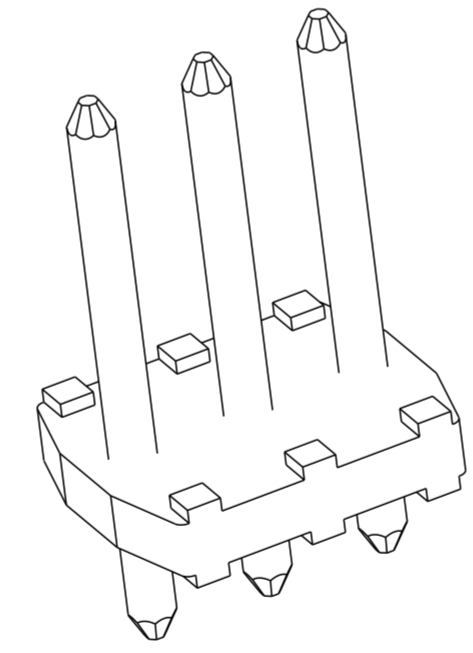
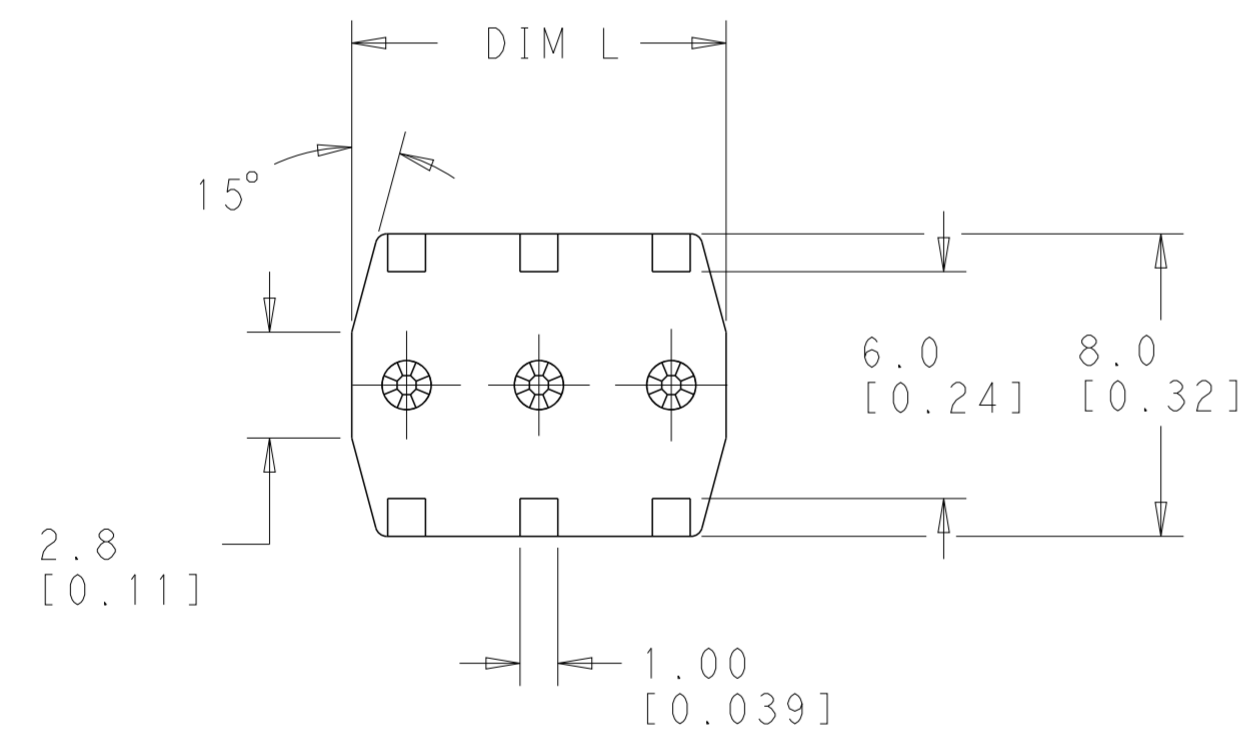


P	LTR	DESCRIPTION	DATE	DWN	APVD
B3		ADDED BLACK VARIANT	14AUG2015	RRN	PS
B4		5-2 TO 5-8 PART OBSOLETE	29AUG2020	DV	PS



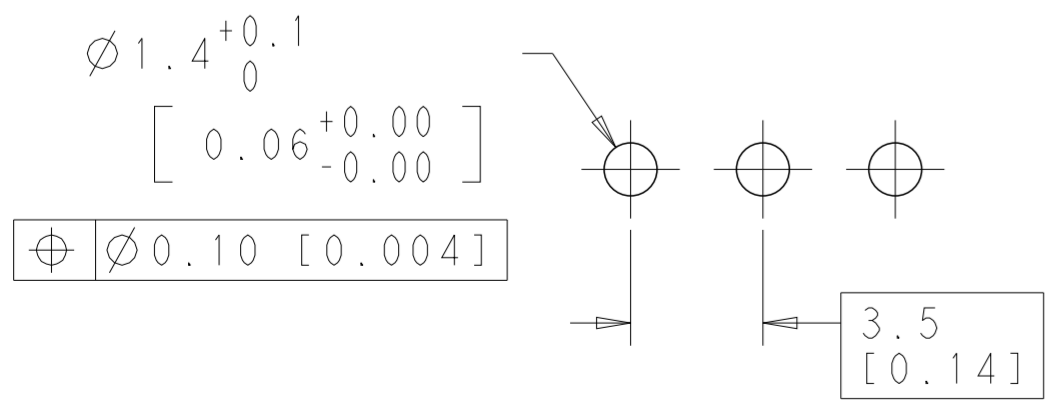
NOTES:

- MATERIALS:
HOUSING: PA HIGH TEMP, UL94 V0, COLOUR: SEE TABLE
PIN: COPPER ALLOY
PLATING: TIN PLATED
- MECHANICAL:
OPERATING TEMPERATURE: -40°C TO +110°C
- ELECTRICAL:
VOLTAGE RATING: 150 V
CURRENT RATING: 2 A
CONTACT RESISTANCE: 15 mOHM (MAX)
INSULATION RESISTANCE: 1000 MOHMS (MIN) (500V DC)



- 3 AS SHOWN

COLOUR	DIM L	POS	PART NO
OBSOLETE	27.40 [1.078]	8	5-1986718-8
	23.90 [.941]	7	5-1986718-7
	20.40 [.803]	6	5-1986718-6
	16.90 [.665]	5	5-1986718-5
	13.4 [.527]	4	5-1986718-4
	9.90 [.389]	3	5-1986718-3
	6.40 [.252]	2	5-1986718-2
	GREEN	27.40 [1.078]	8
23.90 [.941]		7	1986718-7
20.40 [.803]		6	1986718-6
16.90 [.665]		5	1986718-5
13.4 [.527]		4	1986718-4
9.90 [.389]		3	1986718-3
6.40 [.252]		2	1986718-2



THIS DRAWING IS A CONTROLLED DOCUMENT.

DIMENSIONS: MM [INCH]	TOLERANCES UNLESS OTHERWISE SPECIFIED: 0 PLC ± 1 PLC ±0.20 [0.008] 2 PLC ±0.10 [0.004] 3 PLC ± 4 PLC ± ANGLES ±1° FINISH -	DWN YASHKUMAR 09NOV2011 CHK SARVER MICHAEL 09NOV2011 APVD SARVER MICHAEL 09NOV2011	NAME MALE CONNECTOR, UNSHROUDED HEADER WITH WIDE BASE STRAIGHT SIDE STACKABLE, PIN 1.3mm DIA, PITCH 3.50mm
MATERIAL -	FINISH -	PRODUCT SPEC - APPLICATION SPEC - WEIGHT -	SIZE A2 CAGE CODE 00779 DRAWING NO C-1986718 RESTRICTED TO
CUSTOMER DRAWING		SCALE 5:1	SHEET 1 OF 1 REV B4

TE Connectivity

X-ON Electronics

Largest Supplier of Electrical and Electronic Components

Click to view similar products for [Pluggable Terminal Blocks](#) category:

Click to view products by [TE Connectivity](#) manufacturer:

Other Similar products are found below :

[57.510.0053](#) [MC 1.5/ 6-ST-3.5 GY AU](#) [ET02015000J0G](#) [734-104](#) [734-302](#) [8-141-P](#) [8426620000](#) [860505](#) [860516](#) [860810](#) [GBPACX-12](#)
[93.731.4953.0](#) [PV05-5,08-K](#) [PVP03-3,50](#) [PVP04-3,50](#) [PVS02-5,00](#) [1-1986160-3](#) [1377680000](#) [1531000000](#) [1546228-5](#) [ELFH16150](#)
[ELFP03110](#) [ELFP10210](#) [ELFT06250](#) [ELVP03100](#) [1700101](#) [1700410](#) [1700425](#) [1702246](#) [1705229](#) [1710175](#) [1714537](#) [1717806](#) [1719600](#)
[1728941](#) [1734692](#) [1734795](#) [1736036](#) [1740194](#) [1740628](#) [1740990](#) [1746952](#) [1750207](#) [1752441](#) [1752865](#) [1754115](#) [1754144](#) [1756913](#)
[1760051](#) [1760336](#)