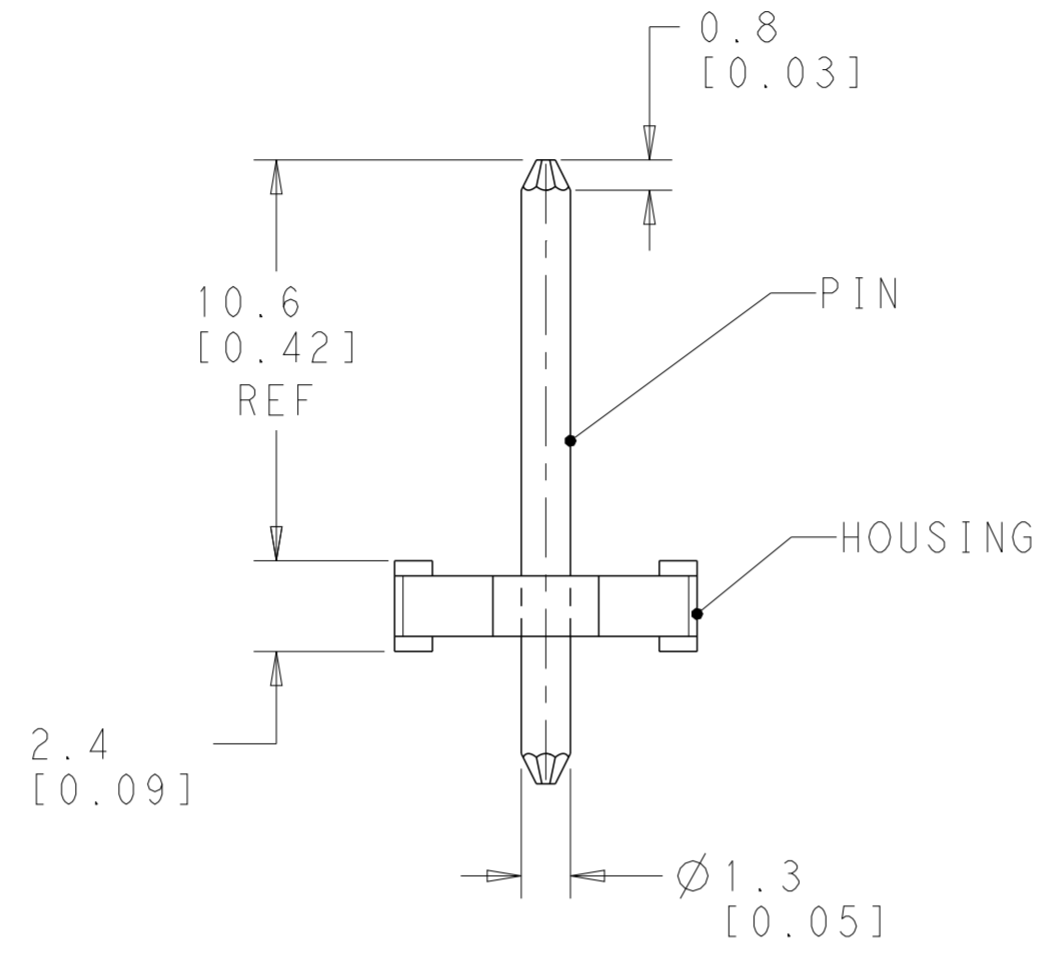
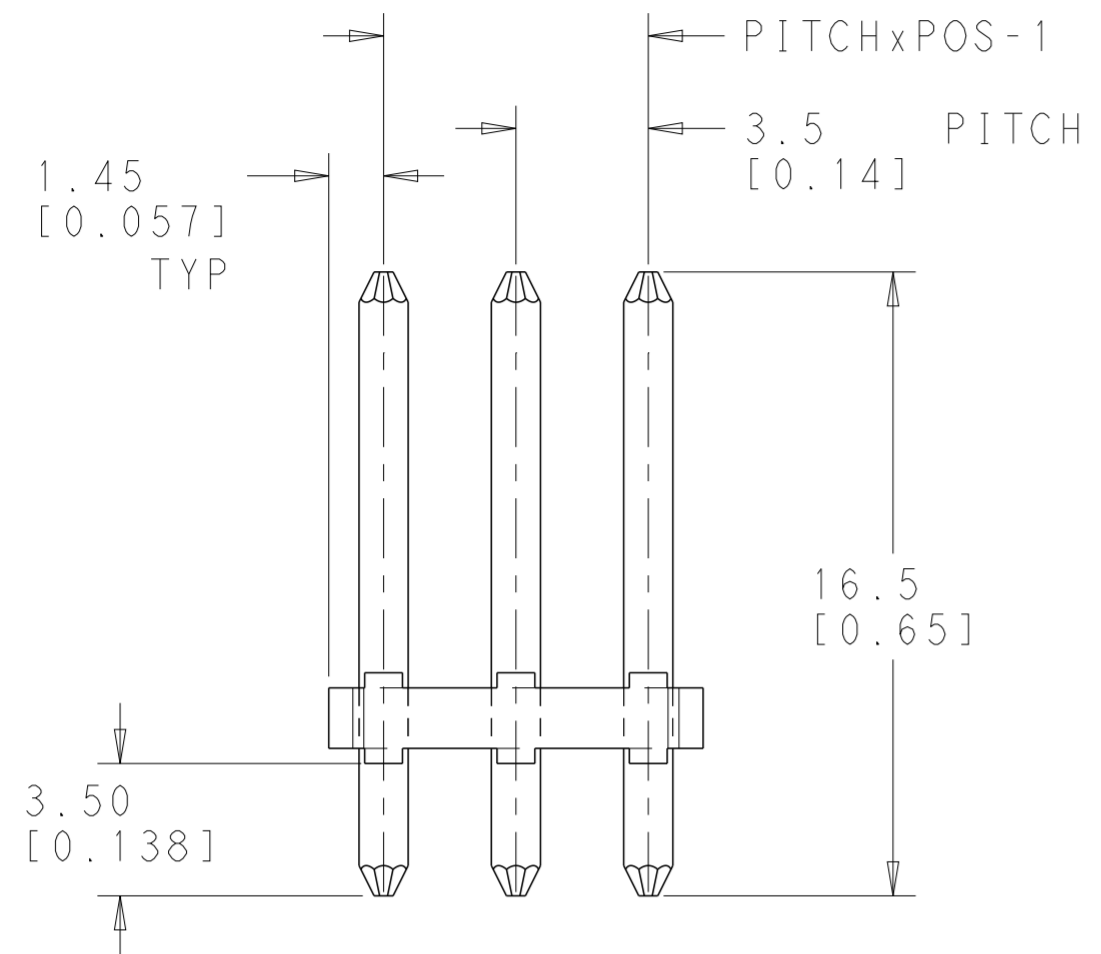
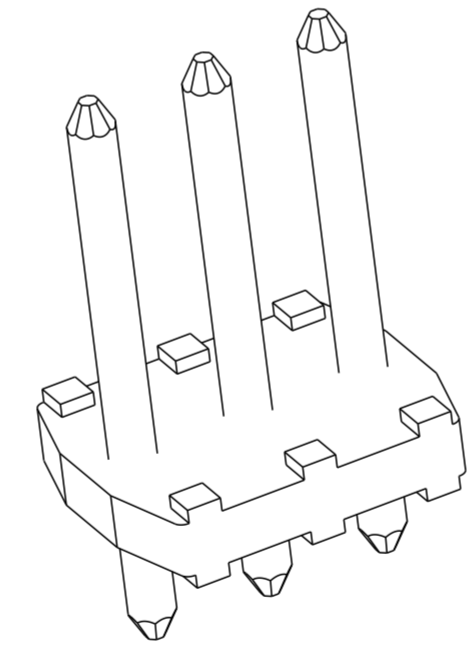
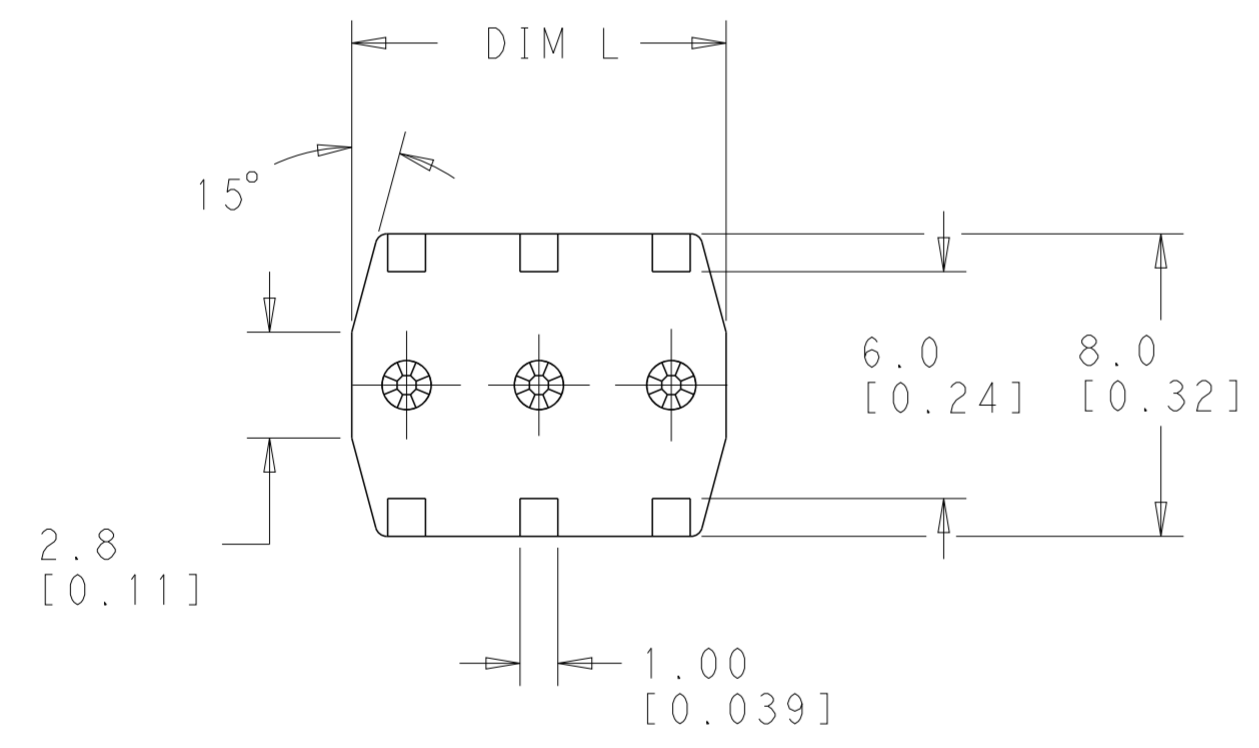


P	LTR	DESCRIPTION	DATE	DWN	APVD
B3		ADDED BLACK VARIANT	14AUG2015	RRN	PS
B4		5-2 TO 5-8 PART OBSOLETE	29AUG2020	DV	PS



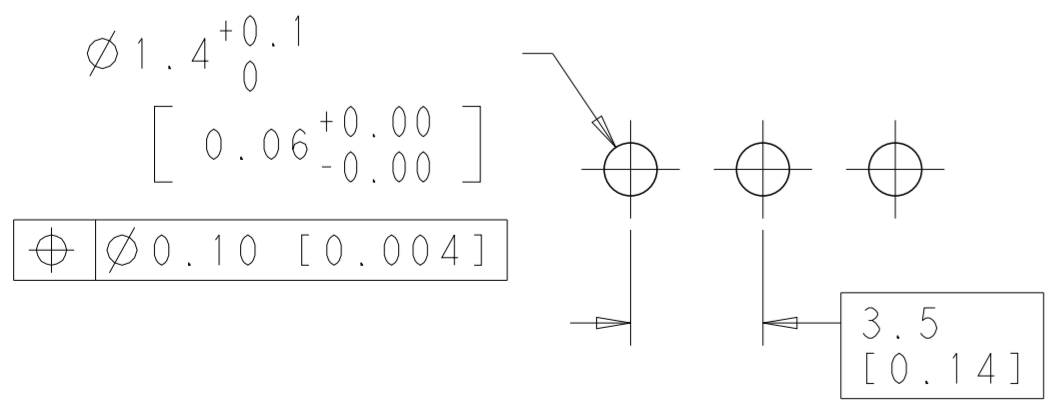
NOTES:

- MATERIALS:
HOUSING: PA HIGH TEMP, UL94 V0, COLOUR: SEE TABLE
PIN: COPPER ALLOY
PLATING: TIN PLATED
- MECHANICAL:
OPERATING TEMPERATURE: -40°C TO +110°C
- ELECTRICAL:
VOLTAGE RATING: 150 V
CURRENT RATING: 2 A
CONTACT RESISTANCE: 15 mOHM (MAX)
INSULATION RESISTANCE: 1000 MOHMS (MIN) (500V DC)



- 3 AS SHOWN

COLOUR	DIM L	POS	PART NO
OBSOLETE	27.40 [1.078]	8	5-1986718-8
	23.90 [.941]	7	5-1986718-7
	20.40 [.803]	6	5-1986718-6
	16.90 [.665]	5	5-1986718-5
	13.4 [.527]	4	5-1986718-4
	9.90 [.389]	3	5-1986718-3
GREEN	6.40 [.252]	2	5-1986718-2
	27.40 [1.078]	8	1986718-8
	23.90 [.941]	7	1986718-7
	20.40 [.803]	6	1986718-6
	16.90 [.665]	5	1986718-5
	13.4 [.527]	4	1986718-4
	9.90 [.389]	3	1986718-3
	6.40 [.252]	2	1986718-2



THIS DRAWING IS A CONTROLLED DOCUMENT.

DWN YASHKUMAR 09NOV2011	TE Connectivity
CHK SARVER MICHAEL 09NOV2011	
APVD SARVER MICHAEL 09NOV2011	
NAME MALE CONNECTOR, UNSHROUDED HEADER WITH WIDE BASE STRAIGHT SIDE STACKABLE, PIN 1.3mm DIA, PITCH 3.50mm	
DIMENSIONS: MM [INCH]	SIZE A2 CAGE CODE 00779 DRAWING NO C-1986718 RESTRICTED TO
TOLERANCES UNLESS OTHERWISE SPECIFIED:	SCALE 5:1
0 PLC ±	SHEET 1 OF 1
1 PLC ±0.20 [0.008]	REV B4
2 PLC ±0.10 [0.004]	
3 PLC ±	
4 PLC ±	
ANGLES ±1°	
FINISH -	

X-ON Electronics

Largest Supplier of Electrical and Electronic Components

Click to view similar products for [Pluggable Terminal Blocks](#) category:

Click to view products by [TE Connectivity](#) manufacturer:

Other Similar products are found below :

[57.510.0053](#) [MC 1.5/ 6-ST-3.5 GY AU](#) [ET02015000J0G](#) [734-104](#) [734-302](#) [8-141-P](#) [8426620000](#) [860505](#) [860516](#) [860810](#) [GBPACX-12](#)
[93.731.4953.0](#) [PV05-5,08-K](#) [PVP03-3,50](#) [PVP04-3,50](#) [PVS02-5,00](#) [1-1986160-3](#) [1377680000](#) [1531000000](#) [1546228-5](#) [ELFH16150](#)
[ELFP03110](#) [ELFP10210](#) [ELFT06250](#) [ELVP03100](#) [1700101](#) [1700410](#) [1700425](#) [1702246](#) [1705229](#) [1710175](#) [1714537](#) [1717806](#) [1719600](#)
[1728941](#) [1734692](#) [1734795](#) [1736036](#) [1740194](#) [1740628](#) [1740990](#) [1746952](#) [1750207](#) [1752441](#) [1752865](#) [1754115](#) [1754144](#) [1756913](#)
[1760051](#) [1760336](#)