

THIS DRAWING IS UNPUBLISHED.

RELEASED FOR PUBLICATION

20

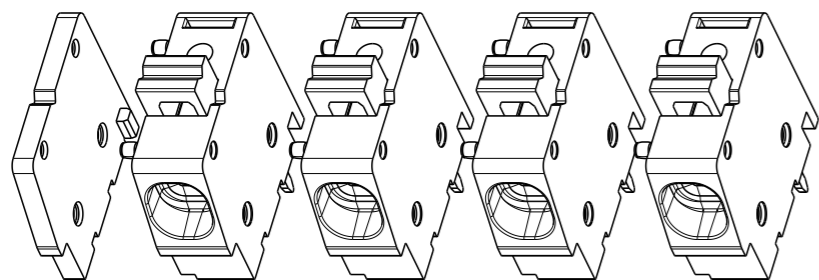
LOC -

DIST -

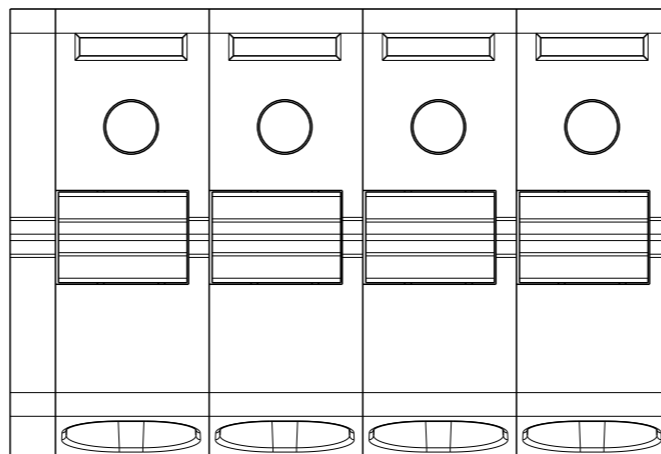
REVISIONS

© COPYRIGHT 20 BY - ALL RIGHTS RESERVED.

P	LTR	DESCRIPTION	DATE	DWN	APVD
	B	PLATING INFORMATION ADDED	16JUL2019	RK	PS



SCALE 2:1  
-4 AS SHOWN

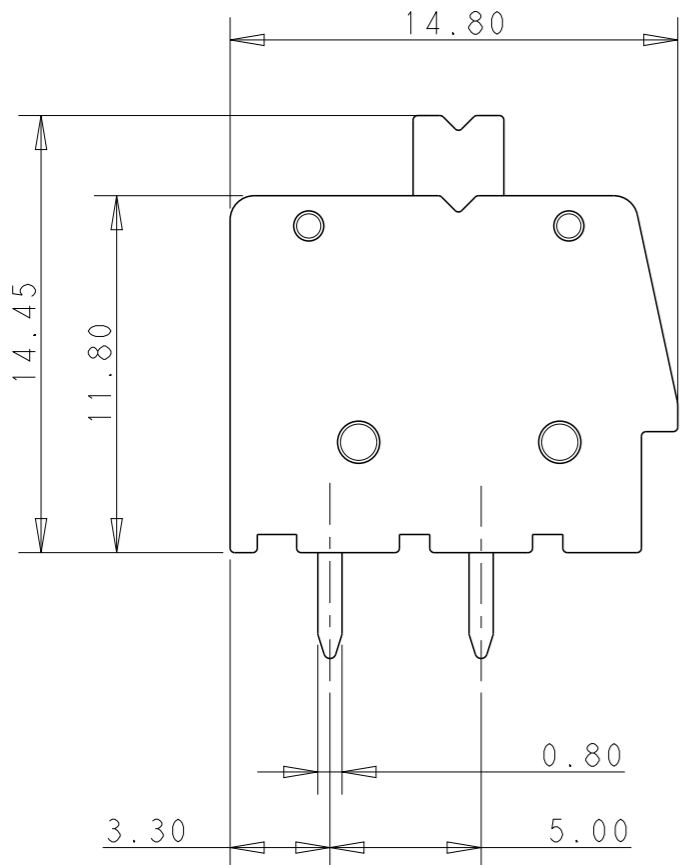


DIM "L"

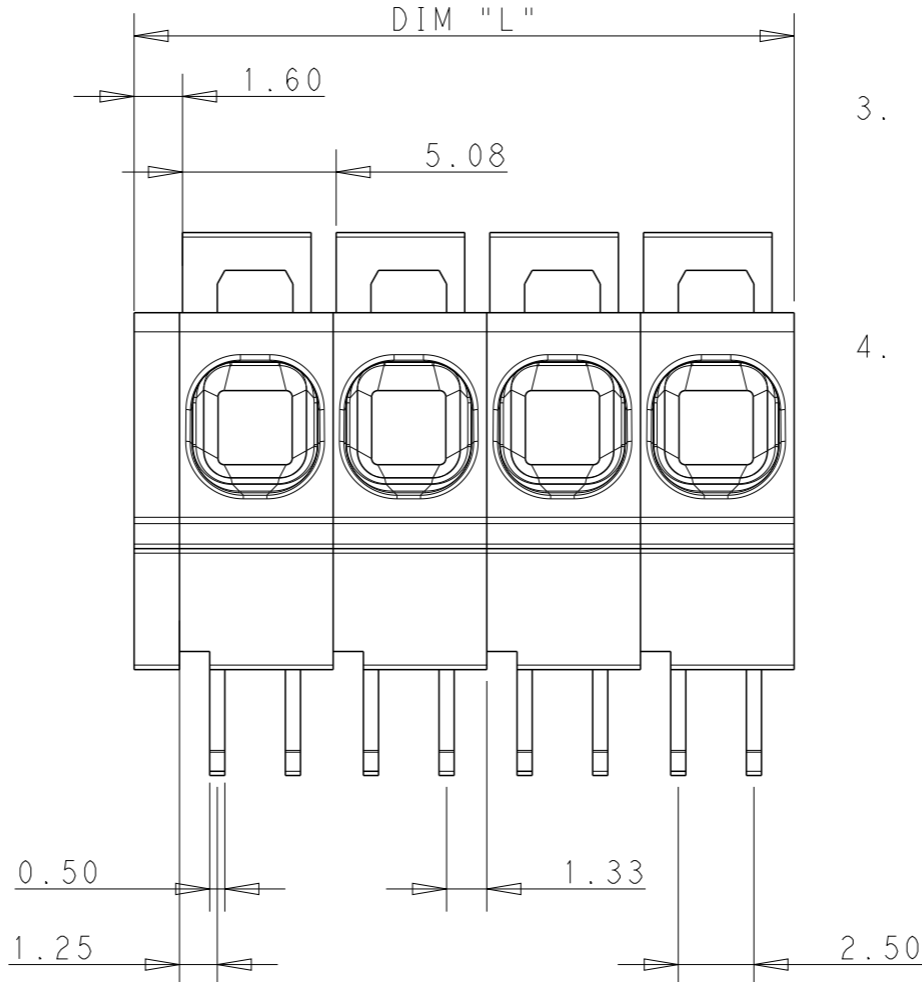
1.60

5.08

- MATERIAL:  
HOUSING - PA66 , UL94 V0  
CLAMPING SPRING - STAINLESS STEEL  
PIN - COPPER ALLOY -BRIGHT TIN PLATED
- MECHANICAL:  
MIN. PC BOARD HOLES DIAMETER : 1.2 mm  
MAX. PC BOARD THICKNESS : 2.4 mm  
WIRE STRIPPING LENGTH : 11.5 mm
- ELECTRICAL:  
WIRE RANGE : 12-30 AWG  
RATED VOLTAGE : 300V  
RATED CURRENT : 16A  
CONTACT RESISTANCE : <15 m Ohm  
INSULATION RESISTANCE : >1000 M Ohm (500V DC)
- OPERATING TEMPERATURE RANGE : -40°C TO +105°C

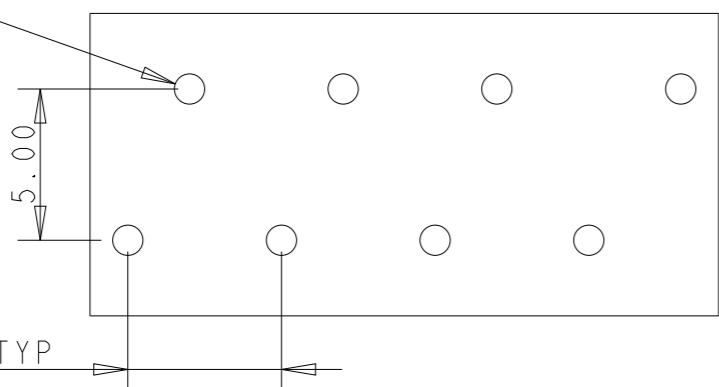


PCB LAYOUT FOR-4  
AS SHOWN



62.46	12	1-1986775-2
57.38	11	1-1986775-1
52.30	10	1-1986775-0
47.22	9	1986775-9
42.14	8	1986775-8
37.06	7	1986775-7
31.98	6	1986775-6
26.90	5	1986775-5
21.82	4	1986775-4
16.74	3	1986775-3
11.66	2	1986775-2
DIM "L"	POLE	PART NO

Ø1.00<sup>-0.20</sup>



THIS DRAWING IS A CONTROLLED DOCUMENT.

DIMENSIONS:  
mm

TOLERANCES UNLESS  
OTHERWISE SPECIFIED:

0 PLC	±0.5
1 PLC	±0.25
2 PLC	±0.25
3 PLC	±0.25
4 PLC	±0.25
ANGLES	±1°

MATERIAL -

FINISH -

DWN 12OCT2012

KIRAN HOLAL

CHK 12OCT2012

MARK BRUBAKER

APVD 12OCT2012

MARK BRUBAKER

PRODUCT SPEC -

APPLICATION SPEC -

WEIGHT -

CUSTOMER DRAWING

NAME  
SPRING TYPE, SIDE WIRE ENTRY TERMINAL BLOCK  
SIDE STACKABLE 02-25 POLES PITCH 5.08MM

SIZE CAGE CODE DRAWING NO RESTRICTED TO

A300779 C-1986775

SCALE 1:4 SHEET 1 OF 1 REV B



## X-ON Electronics

Largest Supplier of Electrical and Electronic Components

*Click to view similar products for [Fixed Terminal Blocks](#) category:*

*Click to view products by [TE Connectivity](#) manufacturer:*

Other Similar products are found below :

[MBE-1512](#) [MBE-154](#) [MBE-156](#) [MBES-153](#) [MBES-156](#) [MH-2512](#) [MHE-132](#) [MHE-163](#) [MI-254 \(35\)](#) [MI-272](#) [880507](#) [MPT-275](#)  
[15602-04-08-21](#) [ELM023100](#) [BA311TU](#) [BA411SU](#) [MV-152](#) [MV-252-D](#) [MV-253/NCNOC](#) [MV-254-D](#) [MV-255](#) [MV-462](#) [MV-493](#) [MVE-](#)  
[252](#) [MVE-253](#) [MVE-273](#) [MVEB-153](#) [1700096](#) [1705142](#) [1712417](#) [1713020](#) [1713088](#) [1745195](#) [1760594](#) [1776118-2](#) [1790852](#) [1-796689-8](#)  
[1-796692-6](#) [1800001](#) [1800114](#) [1995279](#) [20020314-C121B01LF](#) [CB2-12](#) [KP03215000J0G](#) [KP04215000J0G](#) [S451](#) [282802-2](#) [29.007](#) [29.116](#)  
[30.103](#)