

THIS DRAWING IS UNPUBLISHED.

RELEASED FOR PUBLICATION

20

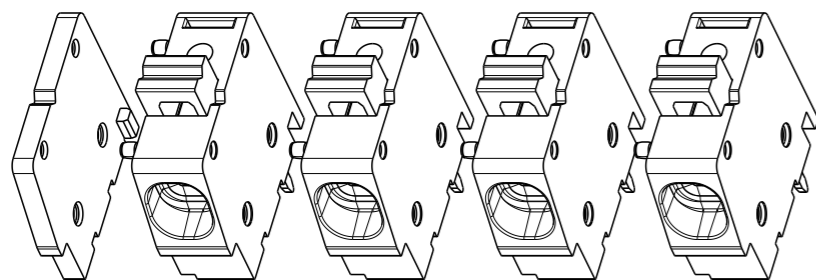
LOC -

DIST -

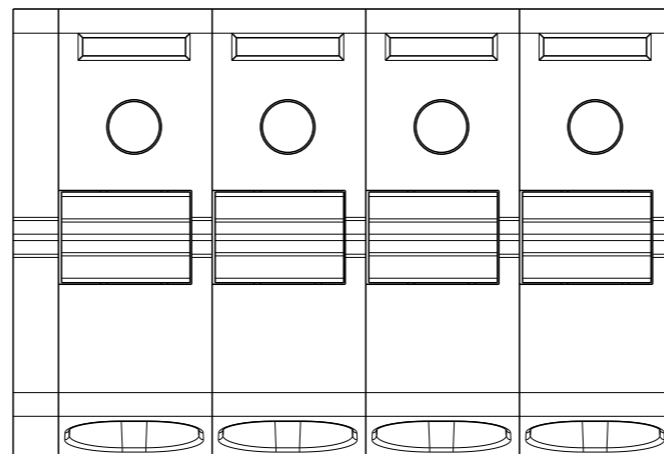
REVISIONS

© COPYRIGHT 20 BY - ALL RIGHTS RESERVED.

P	LTR	DESCRIPTION	DATE	DWN	APVD
	B	PLATING INFORMATION ADDED	16JUL2019	RK	PS



SCALE 2:1
-4 AS SHOWN

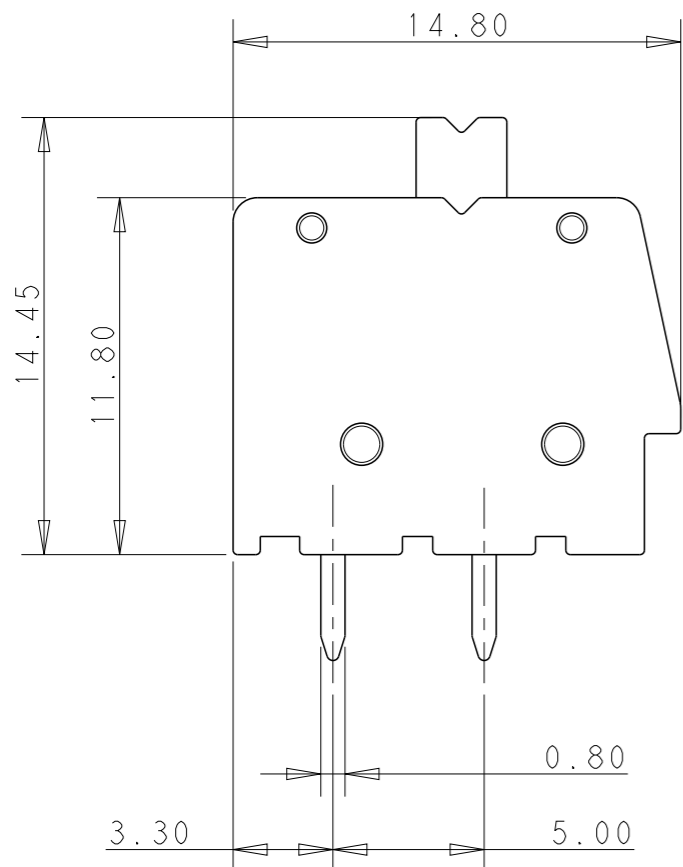


DIM "L"

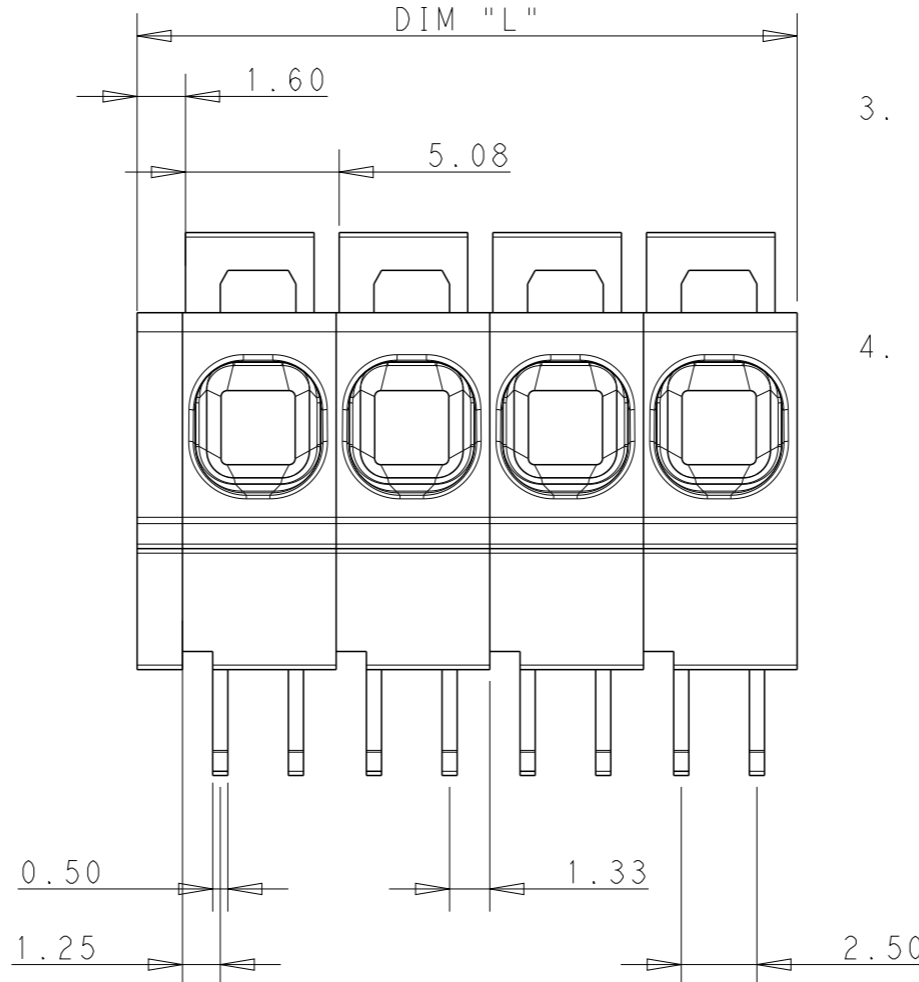
1.60

5.08

- MATERIAL:
HOUSING - PA66 , UL94 V0
CLAMPING SPRING - STAINLESS STEEL
PIN - COPPER ALLOY -BRIGHT TIN PLATED
- MECHANICAL:
MIN. PC BOARD HOLES DIAMETER : 1.2 mm
MAX. PC BOARD THICKNESS : 2.4 mm
WIRE STRIPPING LENGTH : 11.5 mm
- ELECTRICAL:
WIRE RANGE : 12-30 AWG
RATED VOLTAGE : 300V
RATED CURRENT : 16A
CONTACT RESISTANCE : <15 m Ohm
INSULATION RESISTANCE : >1000 M Ohm (500V DC)
- OPERATING TEMPERATURE RANGE : -40°C TO +105°C

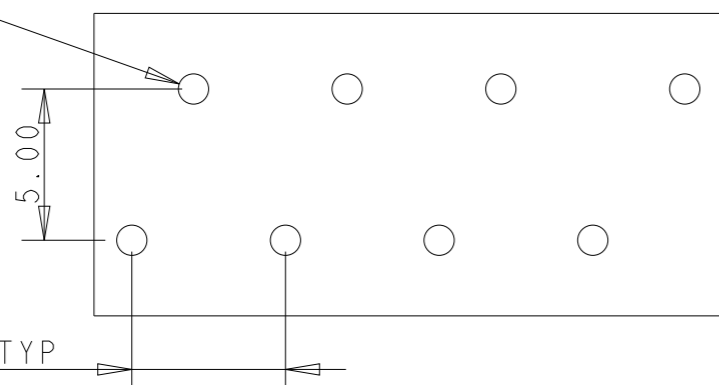


PCB LAYOUT FOR-4
AS SHOWN



62.46	12	1-1986775-2
57.38	11	1-1986775-1
52.30	10	1-1986775-0
47.22	9	1986775-9
42.14	8	1986775-8
37.06	7	1986775-7
31.98	6	1986775-6
26.90	5	1986775-5
21.82	4	1986775-4
16.74	3	1986775-3
11.66	2	1986775-2
DIM "L"	POLE	PART NO

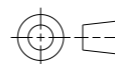
Ø1.00^{-0.20}



THIS DRAWING IS A CONTROLLED DOCUMENT.

DIMENSIONS:
mm

TOLERANCES UNLESS
OTHERWISE SPECIFIED:



0 PLC	±0.5
1 PLC	±0.25
2 PLC	±0.25
3 PLC	±0.25
4 PLC	±0.25
ANGLES	±1°

MATERIAL -

FINISH -

DWN	12OCT2012
KIRAN HOLAL	
CHK	12OCT2012
MARK BRUBAKER	
APVD	12OCT2012
MARK BRUBAKER	
PRODUCT SPEC	-
APPLICATION SPEC	-
WEIGHT	-

NAME
SPRING TYPE, SIDE WIRE ENTRY TERMINAL BLOCK
SIDE STACKABLE 02-25 POLES PITCH 5.08MM

SIZE	CAGE CODE	DRAWING NO	RESTRICTED TO
A3	00779	C-1986775	-

CUSTOMER DRAWING

SCALE 1:4

SHEET 1 OF 1 REV B



X-ON Electronics

Largest Supplier of Electrical and Electronic Components

Click to view similar products for [Fixed Terminal Blocks](#) category:

Click to view products by [TE Connectivity](#) manufacturer:

Other Similar products are found below :

[MBE-1512](#) [MBE-154](#) [MBE-156](#) [MBES-153](#) [MBES-156](#) [MH-2512](#) [MHE-132](#) [MHE-163](#) [MI-254 \(35\)](#) [MI-272](#) [880507](#) [MPT-275](#)
[15602-04-08-21](#) [BA311TU](#) [BA411SU](#) [MV-152](#) [MV-252-D](#) [MV-253/NCNOC](#) [MV-254-D](#) [MV-255](#) [MV-462](#) [MV-493](#) [MVE-252](#) [MVE-253](#)
[MVE-273](#) [MVEB-153](#) [1700096](#) [1705142](#) [1712417](#) [1713020](#) [1713088](#) [1745195](#) [1760594](#) [1776118-2](#) [1790852](#) [1-796689-8](#) [1-796692-6](#)
[1800001](#) [1800114](#) [1995279](#) [20020314-C121B01LF](#) [20020316-G041B01LF](#) [CB2-12](#) [KP03215000J0G](#) [KP04215000J0G](#) [S451](#) [282802-2](#)
[29.007](#) [29.116](#) [30.103](#)