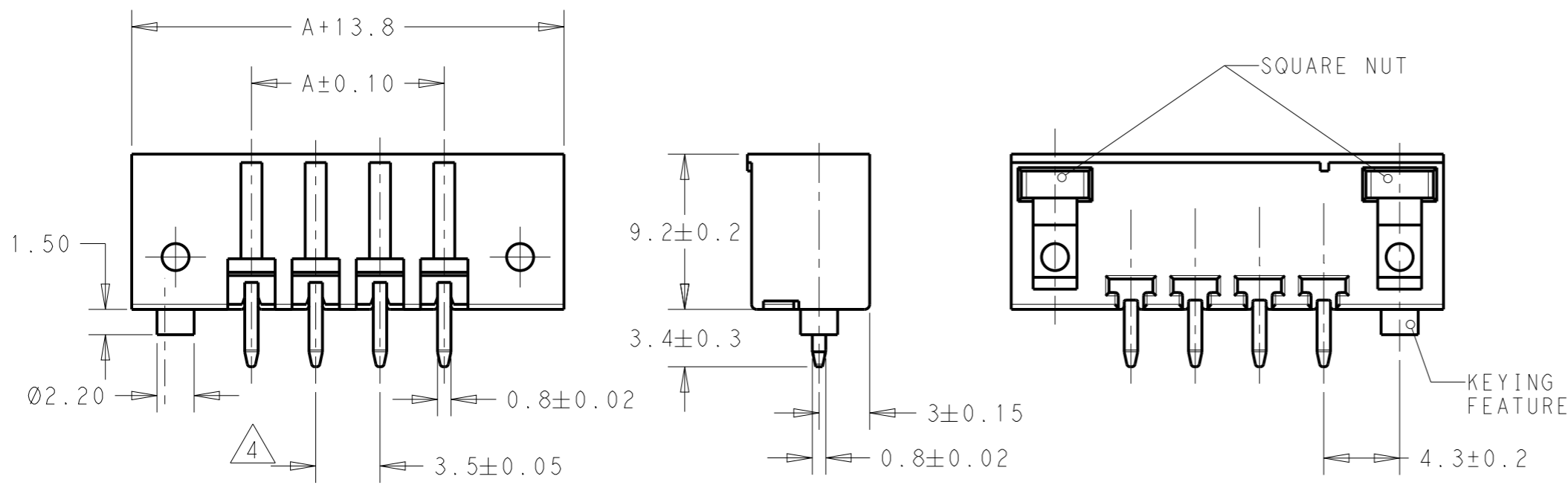


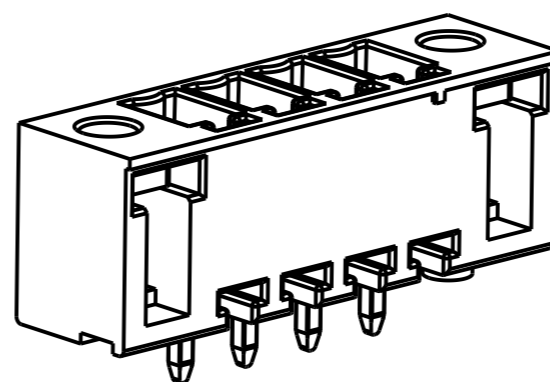
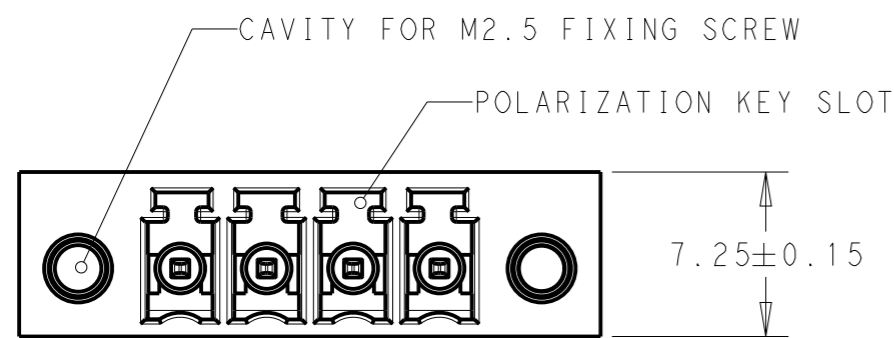
THIS DRAWING IS UNPUBLISHED. RELEASED FOR PUBLICATION 20
 © COPYRIGHT 20 BY - ALL RIGHTS RESERVED.

REVISIONS				
P	LTR	DESCRIPTION	DATE	APVD
A		RELEASED TO PRODUCTION (REV A)	20NOV2014	PS JK



NOTES:

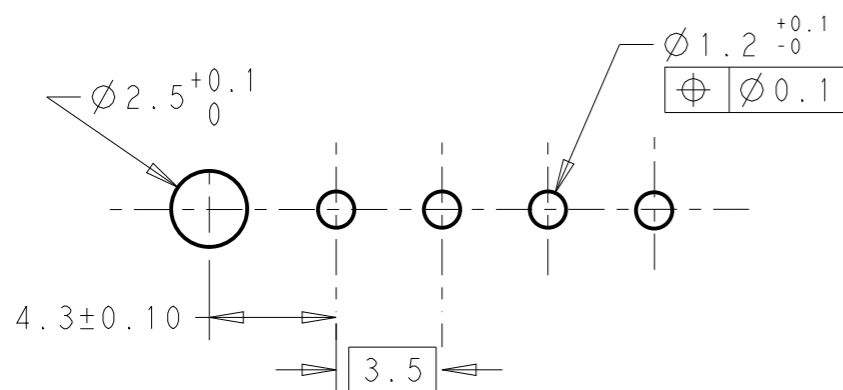
- 1 MATERIALS AND FINISH
 HOUSING : PA 6.6, UL 94-V0, COLOR GREEN
 TERMINAL : PHOSPHOR BRONZE, TIN PLATED
- 2 CONNECTOR ASSEMBLY INCLUDED 2 SQUARE NUTS LOADED IN CAVITY
- 3 SUITABLE FOR 1.6-2.4 mm. PC BOARD THICKNESS
- 4 NOT CUMULATIVE TOLERANCE
- 5 ELECTRICAL:
 VOLTAGE RATING 300V
 CURRENT RATING 13.5 A
- 6 MECHANICAL:
 INSERTION FORCE PER POLE: MAX 3N
 WITHDRAWAL FORCE PER POLE: MIN 1.5N
- 7 ENVIRONMENTAL: -40°C/+110°C [-40°F +230°F]



1986799-4 AS SHOWN

38.5	12	1-1986799-2
35.0	11	1-1986799-1
31.5	10	1-1986799-0
28.0	9	1986799-9
24.5	8	1986799-8
21.0	7	1986799-7
17.5	6	1986799-6
14.0	5	1986799-5
10.5	4	1986799-4
7.0	3	1986799-3
3.5	2	1986799-2
DIM A	NO OF POS	PART NUMBER

RECOMMENDED PC BOARD LAYOUT



THIS DRAWING IS A CONTROLLED DOCUMENT.		DWN 26SEP2013 KIRAN HOLAL	TE Connectivity	
DIMENSIONS: mm		CHK 26SEP2013 MERCURIO MAURIZIO		
TOLERANCES UNLESS OTHERWISE SPECIFIED:		APVD 26SEP2013 MERCURIO MAURIZIO	NAME TERMINAL BLOCK, HEADER ASSEMBLY STRAIGHT, 3.5 MM PITCH WITH KEYING FEAT	
0 PLC ±0.3 1 PLC ±0.25 2 PLC ±0.25 3 PLC ±0.25 4 PLC ±0.25 ANGLES ±2°		PRODUCT SPEC 108-20166	SIZE CAGE CODE DRAWING NO RESTRICTED TO	
MATERIAL		APPLICATION SPEC 114-20079	A300779 C-1986799	
FINISH		WEIGHT -	SCALE 3:1 SHEET 1 OF 1 REV A	
Customer Drawing				

X-ON Electronics

Largest Supplier of Electrical and Electronic Components

Click to view similar products for [Pluggable Terminal Blocks](#) category:

Click to view products by [TE Connectivity](#) manufacturer:

Other Similar products are found below :

[57.510.0053](#) [MC 1.5/ 6-ST-3.5 GY AU](#) [734-104](#) [734-302](#) [8-141-P](#) [8426620000](#) [860505](#) [860516](#) [860810](#) [GBPACX-12](#) [93.731.4953.0](#) [PV05-5,08-K](#) [PVP02-5,00](#) [PVP03-3,50](#) [PVP04-3,50](#) [PVS02-5,00](#) [1-1986160-3](#) [1377680000](#) [1531000000](#) [1546228-5](#) [ELFH16150](#) [ELFP03110](#) [ELFP10210](#) [ELFT06250](#) [ELVP03100](#) [1700101](#) [1700410](#) [1700425](#) [1702246](#) [1705229](#) [1710175](#) [1714537](#) [1717806](#) [1719600](#) [1728941](#) [1734692](#) [1734795](#) [1736036](#) [1740194](#) [1740291](#) [1740628](#) [1740990](#) [1746952](#) [1750207](#) [1752441](#) [1752865](#) [1754115](#) [1754144](#) [1756913](#) [1760051](#)