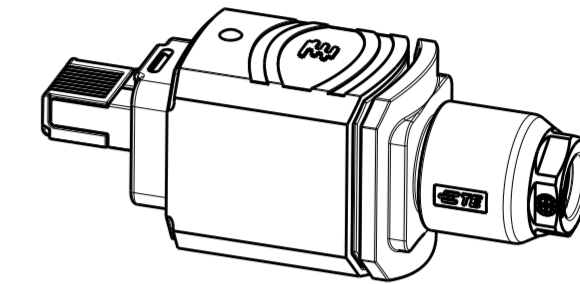
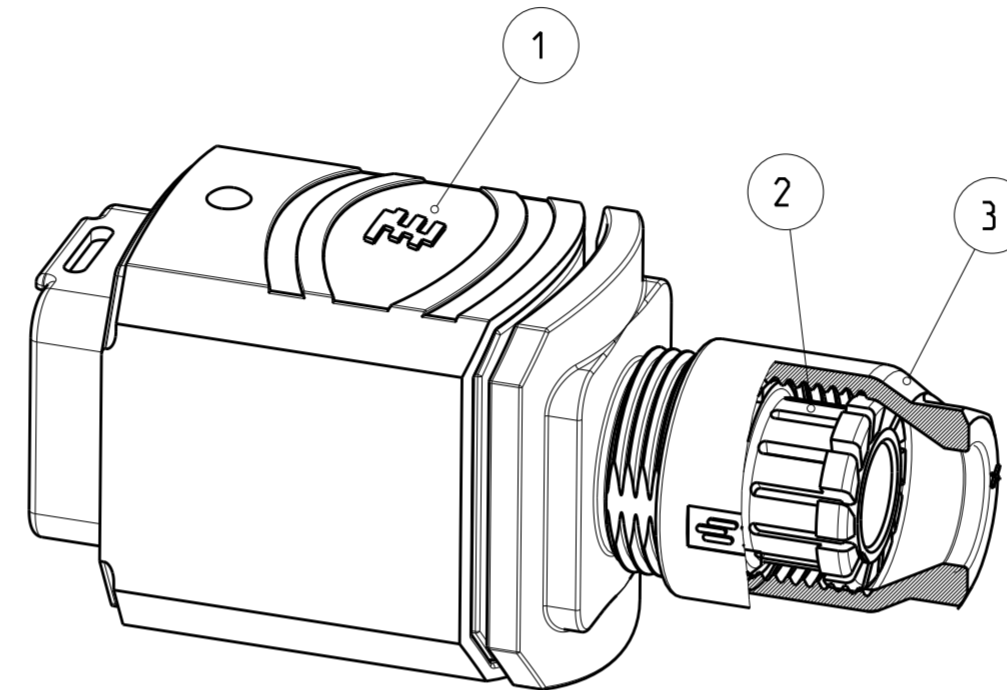
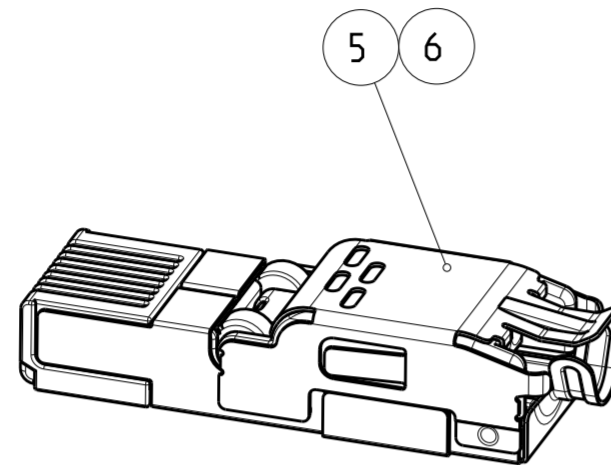
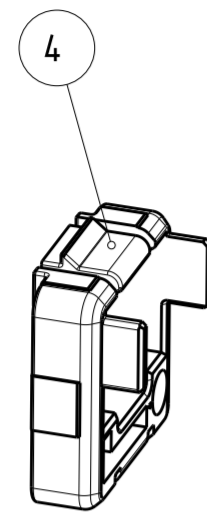


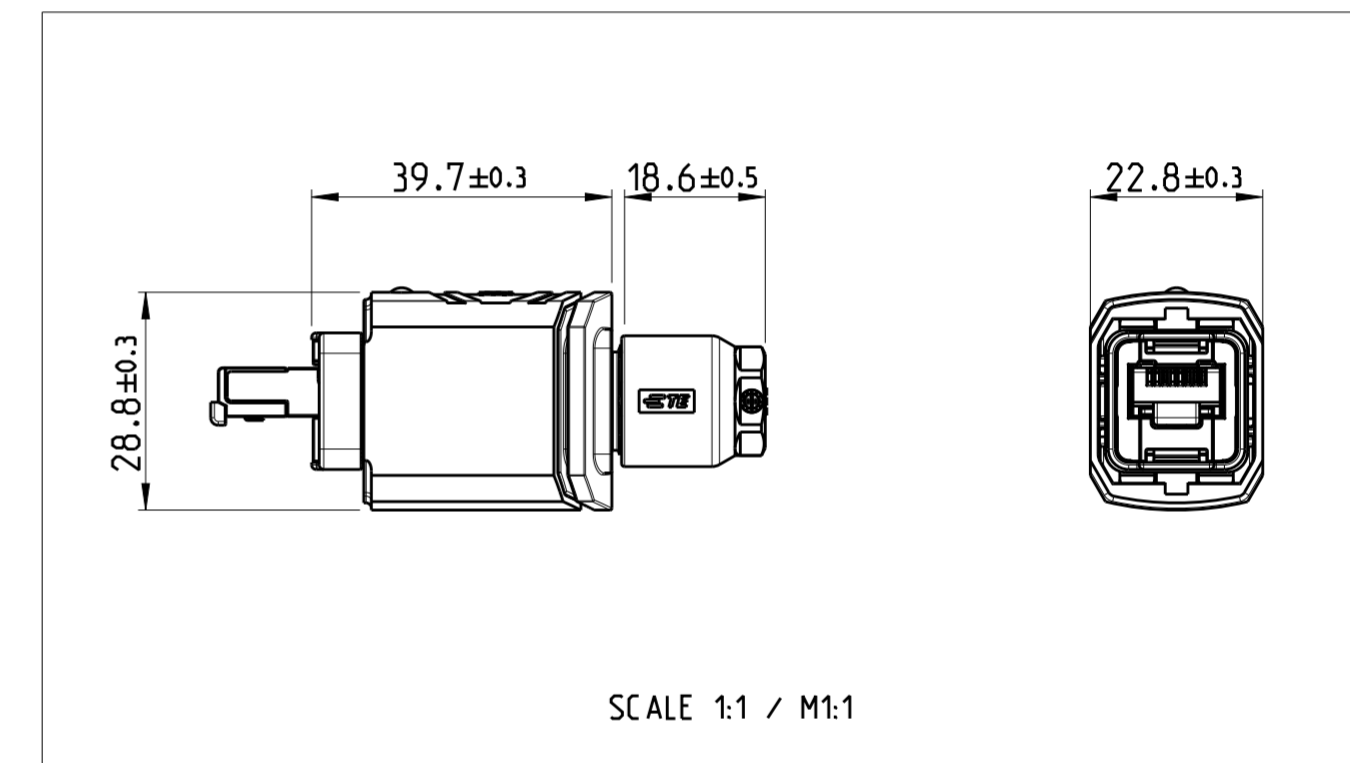
THIS DRAWING IS UNPUBLISHED  
 RELEASED FOR PUBLICATION 2007  
 © COPYRIGHT 2007 BY - ALL RIGHTS RESERVED.

| REVISIONS |     |  |           |        |
|-----------|-----|--|-----------|--------|
| P         | LTR | DESCRIPTION  | DATE      | APVD   |
| C         |     | RETENTION CLIP MODIFICATION THAT IMPLEMENTED IN PREVIOUS REVISION IS CANCELLED | 29DEC2014 | TJ PS  |
| D1        |     | OBSOLETE DRAWING   | 19MAR2018 | SH NG  |
| D2        |     | DRAWING RE-ACTIVATE  | 26FEB2020 | SS JDB |



SCALE 1:1 / M 1:1

-1 AS SHOWN  
 -----  
 -1 WIE GEZEICHNET



SCALE 1:1 / M1:1

SINGLE PACKING: PLASTIC BAG (MINI GRIP) WITH MANUAL.  
 MULTI PACKING: 50 PIECES ITEM NO. 1, NO.2 AND NO.3 IN CORD TENSIONING BAG+  
 50 PIECES ITEM NO. 4 IN PLASTIC BAG (MINI GRIP) +  
 50 PIECES ITEM NO. 5 OR NO. 6 IN FOLDING BOX +  
 PACKED IN CORRUGATED SHIPPING BOX WITH MANUAL.

EINZELVERPACKUNG: KUNSTOFFBEUTEL (MINI GRIP) MIT ANLEITUNG.  
 MEHRFACHVERPACKUNG: 50 STUECK POS. 1, POS. 2 UND POS. 3 IN KORDELZUG BEUTEL +  
 50 STUECK POS. 4 IN KUNSTSTOFFBEUTEL (MINI GRIP) +  
 50 STUECK POS. 5 ODER POS.6 IN FALTSCHACHTEL +  
 VERPACKT IN VERSANDKARTON MIT ANLEITUNG.

OBSOLETE

| QTY REQD | PER ASSY | DESCRIPTION | ITEM NO |
|----------|----------|-------------|---------|
| 1        | 1        | 1           | 7       |
| 1        | 1        | MANUAL      |         |
| 50       | -        | 1           | 6       |
| -        | 50       | -           | 5       |
| 50       | 50       | 1           | 4       |
| 50       | 50       | 1           | 3       |
| 50       | 50       | 1           | 2       |
| 50       | 50       | 1           | 1       |
| -4       | -3       | -2          | -1      |

|  |   |   |   |                    |
|--|---|---|---|--------------------|
| THIS DRAWING IS A CONTROLLED DOCUMENT. |   | DWN 23MAR2007<br>N. THIRUNAVUKKARASU<br>CHK 23MAR2007<br>W. BOECK<br>APVD 23MAR2007<br>R. KRAEMER | TE Connectivity   |                    |
| DIMENSIONS:<br>mm                      | TOLERANCES UNLESS OTHERWISE SPECIFIED:<br>0 PLC ±<br>1 PLC ±<br>2 PLC ±<br>3 PLC ±<br>4 PLC ±<br>ANGLES ±<br>FINISH | PRODUCT SPEC<br>108-94207-1/-2  | NAME<br>RJ45 PLUG, PUSH-PULL, ASSY<br>RJ45 STECKER, PUSH-PULL, ASSY<br>CAT5, SHIELDED |                    |
| MATERIAL<br>-                          | PBT/ PC / TPE   | APPLICATION SPEC  | SIZE<br>A2  | CAGE CODE<br>00779 |
|  |   | RESTRICTED CUSTOMER   | DRAWING NO<br>C-1987004   | RESTRICTED TO      |
|  |   |   | SCALE<br>2:1  | SHEET<br>1 OF 1    |

## X-ON Electronics

Largest Supplier of Electrical and Electronic Components

*Click to view similar products for [Modular Connectors / Ethernet Connectors](#) category:*

*Click to view products by [TE Connectivity](#) manufacturer:*

Other Similar products are found below :

[8949-H88/06BLKA/SN](#) [74441-0010/BKN](#) [MP1010RX-1000](#) [MP44RX-1000](#) [PHJ-4P4C-1-V-4](#) [PHP-6P6C-5](#) [GAX-3-66](#) [GAX-8-62](#) [GDCX-PA-66-50](#) [GDCX-PN-64](#) [GDCX-PN-66](#) [GDCX-PN-66-50](#) [GDLX-A-66](#) [GDLX-N-66](#) [GDLX-S-66](#) [GDLX-S-88K](#) [GDTX-S-88-50](#) [GDX-PA-1010](#) [GLX-N-1010M-BLK](#) [GLX-S-88M-BLK](#) [GMX-N-1010](#) [GMX-S-1010](#) [GMX-S-66](#) [GMX-SMT4-N-88](#) [GPX-2-64](#) [GSGX-N-2-88](#) [GSGX-N-4-88](#) [GSX-NS2-88-3.05](#) [GSX-NS2-88-3.05-50](#) [GSX-NS-88-3.05-50](#) [PT-108A-8C-UL](#) [PT-J951-8C](#) [PTS-J531-8CS-50UL](#) [1-1775629-2](#) [A-2014-0-4](#) [GWLX-S-88-GR](#) [GWLX-S9-88-YG](#) [DC-1021-8-WH-6](#) [1300530003](#) [1324640-4](#) [RJ11FTVC2G](#) [RJ11FTVC2N](#) [RJFTVX2SA1G](#) [132764-001](#) [1413235](#) [MP88X-1000](#) [MPS88RX-5000](#) [E5288-S000K3-L](#) [E5908-15A242-L](#) [155302-001](#)