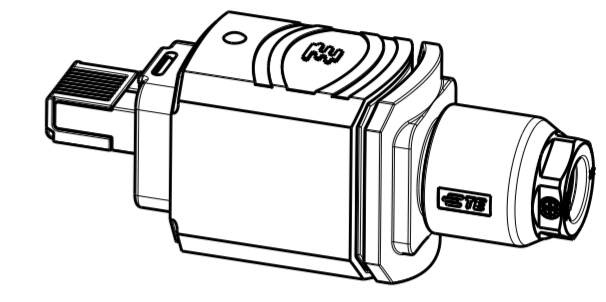
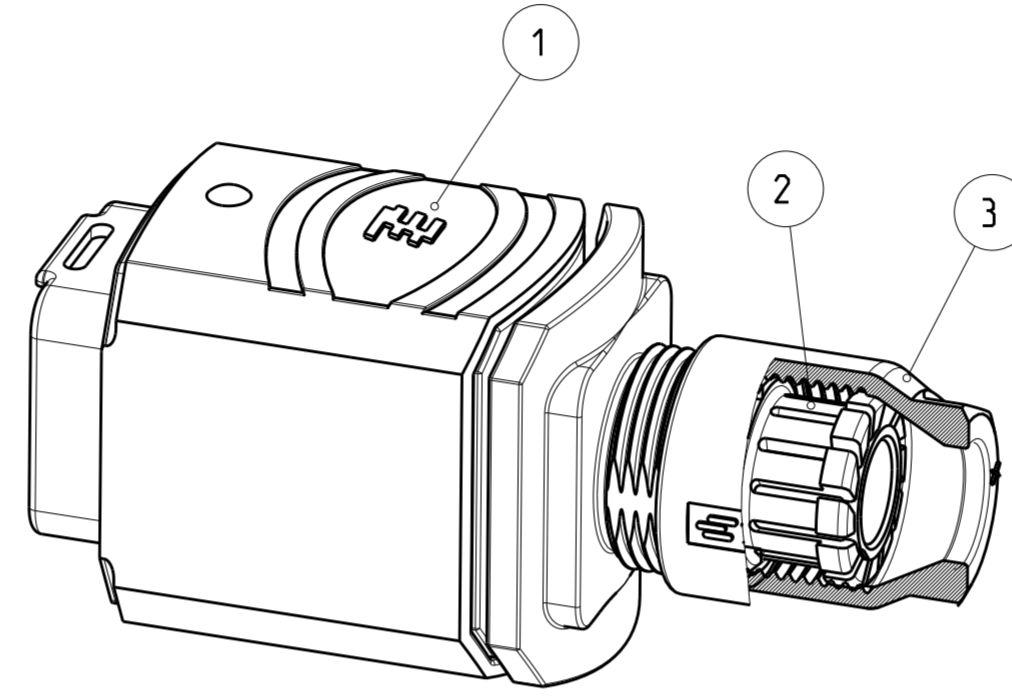
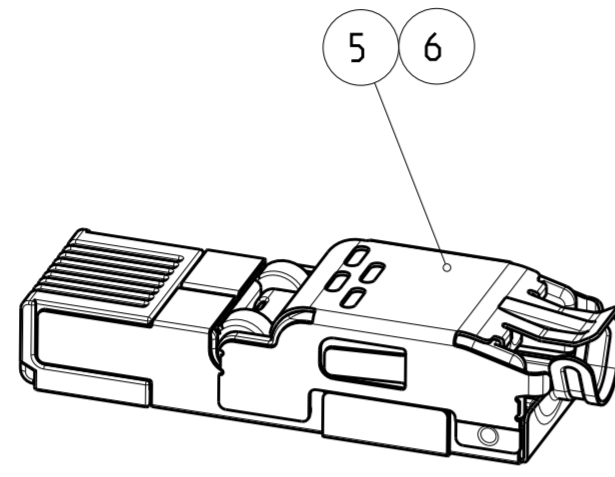
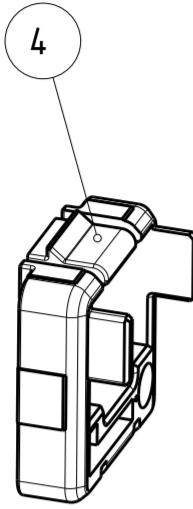


THIS DRAWING IS UNPUBLISHED
 RELEASED FOR PUBLICATION 2007
 © COPYRIGHT 2007 BY - ALL RIGHTS RESERVED.

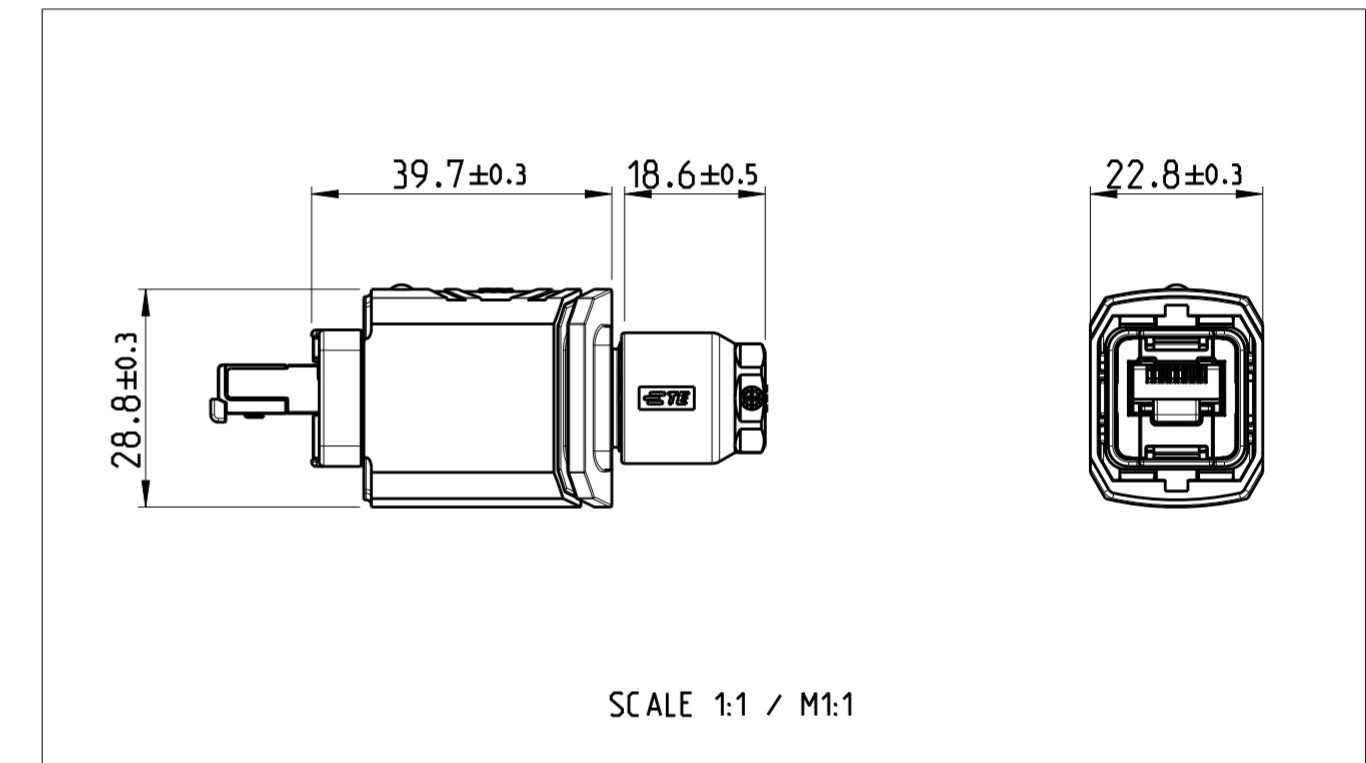
REVISIONS				
P	LTR	DESCRIPTION	DATE	APVD
C		RETENTION CLIP MODIFICATION THAT IMPLEMENTED IN PREVIOUS REVISION IS CANCELLED	29DEC2014	TJ PS
D1		OBSOLETE DRAWING	19MAR2018	SH NG
D2		DRAWING RE-ACTIVATE	26FEB2020	SS JDB



SCALE 1:1 / M 1:1

-1 AS SHOWN

 -1 WIE GEZEICHNET



SCALE 1:1 / M1:1

SINGLE PACKING: PLASTIC BAG (MINI GRIP) WITH MANUAL.
 MULTI PACKING: 50 PIECES ITEM NO. 1, NO.2 AND NO.3 IN CORD TENSIONING BAG+
 50 PIECES ITEM NO. 4 IN PLASTIC BAG (MINI GRIP) +
 50 PIECES ITEM NO. 5 OR NO. 6 IN FOLDING BOX +
 PACKED IN CORRUGATED SHIPPING BOX WITH MANUAL.

EINZELVERPACKUNG: KUNSTOFFBEUTEL (MINI GRIP) MIT ANLEITUNG.
 MEHRFACHVERPACKUNG: 50 STUECK POS. 1, POS. 2 UND POS. 3 IN KORDELZUG BEUTEL +
 50 STUECK POS. 4 IN KUNSTSTOFFBEUTEL (MINI GRIP) +
 50 STUECK POS. 5 ODER POS.6 IN FALTSCHACHTEL +
 VERPACKT IN VERSANDKARTON MIT ANLEITUNG.

OBSOLETE

QTY REQD	PER ASSY	DESCRIPTION	ITEM NO
1	1	1	7
1	1	MANUAL	
50	-	1	6
-	50	-	5
50	50	1	4
50	50	1	3
50	50	1	2
50	50	1	1
-4	-3	-2	-1

THIS DRAWING IS A CONTROLLED DOCUMENT.		DWN 23MAR2007 N.THIRUNAVUKKARASU CHK 23MAR2007 W.BOECK APVD 23MAR2007 R.KRAEMER	TE Connectivity	
DIMENSIONS: mm	TOLERANCES UNLESS OTHERWISE SPECIFIED: 0 PLC ± 1 PLC ± 2 PLC ± 3 PLC ± 4 PLC ± ANGLES ± FINISH	PRODUCT SPEC 108-94207-1/-2	NAME RJ45 PLUG, PUSH-PULL, ASSY RJ45 STECKER, PUSH-PULL, ASSY CAT5, SHIELDED	
MATERIAL -	PBT/ PC / TPE	APPLICATION SPEC	SIZE A2	CAGE CODE 00779
		RESTRICTED CUSTOMER	DRAWING NO C-1987004	RESTRICTED TO
			SCALE 2:1	SHEET 1 OF 1

X-ON Electronics

Largest Supplier of Electrical and Electronic Components

Click to view similar products for [Modular Connectors / Ethernet Connectors](#) category:

Click to view products by [TE Connectivity](#) manufacturer:

Other Similar products are found below :

[RJE231881317T](#) [MP1010RX-1000](#) [MP44RX-1000](#) [GAX-3-66](#) [GAX-8-62](#) [93606-0253](#) [GD-A-44](#) [GDCX-PA-66-50](#) [GDCX-PN-64](#) [GDCX-PN-66](#) [GDCX-PN-66-50](#) [GDLX-A-66](#) [GDLX-A-88](#) [GDLX-N-66](#) [GDLX-S-66](#) [GDLX-S-88K](#) [GDTX-S-88-50](#) [GDX-PA-1010](#) [GLX-N-1010M-BLK](#) [GLX-S-88M-BLK](#) [GMX-N-1010](#) [GMX-S-1010](#) [GMX-S-66](#) [GMX-SMT2-N-1010](#) [GMX-SMT2-N-64-50](#) [GMX-SMT2-N-88](#) [GMX-SMT2-S6-88](#) [GMX-SMT4-N-88](#) [GPX-2-64](#) [GRT1-BT1-5](#) [GSGX-N-2-88](#) [GSX-NS2-88-3.05](#) [GSX-NS2-88-3.05-50](#) [GSX-NS-88-3.05-30](#) [GSX-NS-88-3.05-50](#) [GSX-NS-88-3.68](#) [1-1775629-2](#) [GWLX-S-88-GR](#) [GWLX-S9-88-YG](#) [1300500326](#) [1300500227](#) [1300530003](#) [1300570002](#) [1324640-4](#) [RJ11FTVC2G](#) [RJ11FTVC2N](#) [RJFTVX2SA1G](#) [132764-001](#) [1400000](#) [1413235](#)