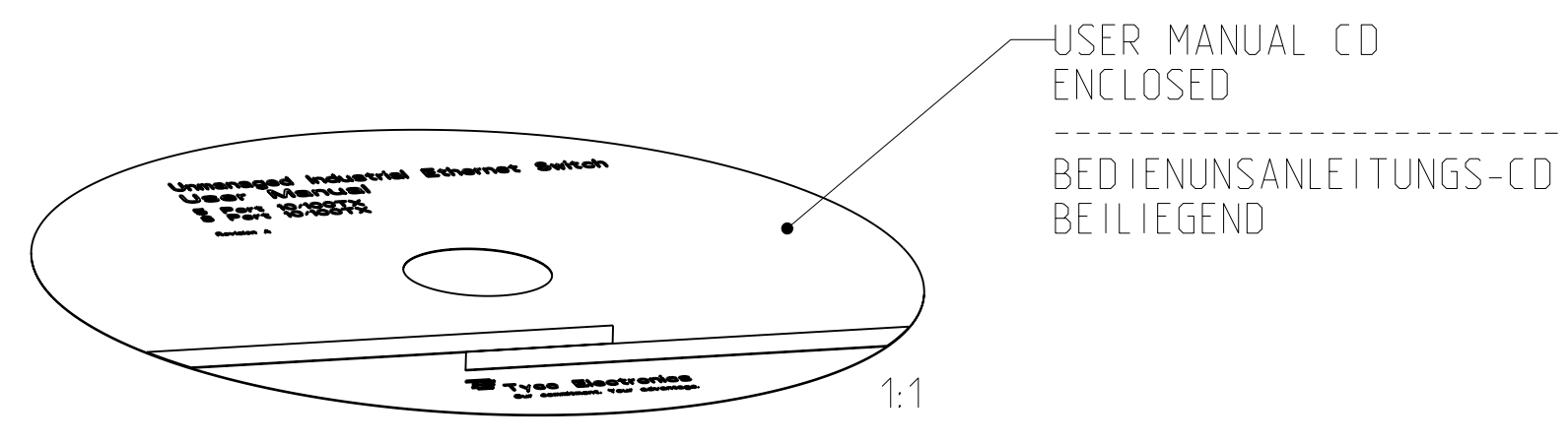
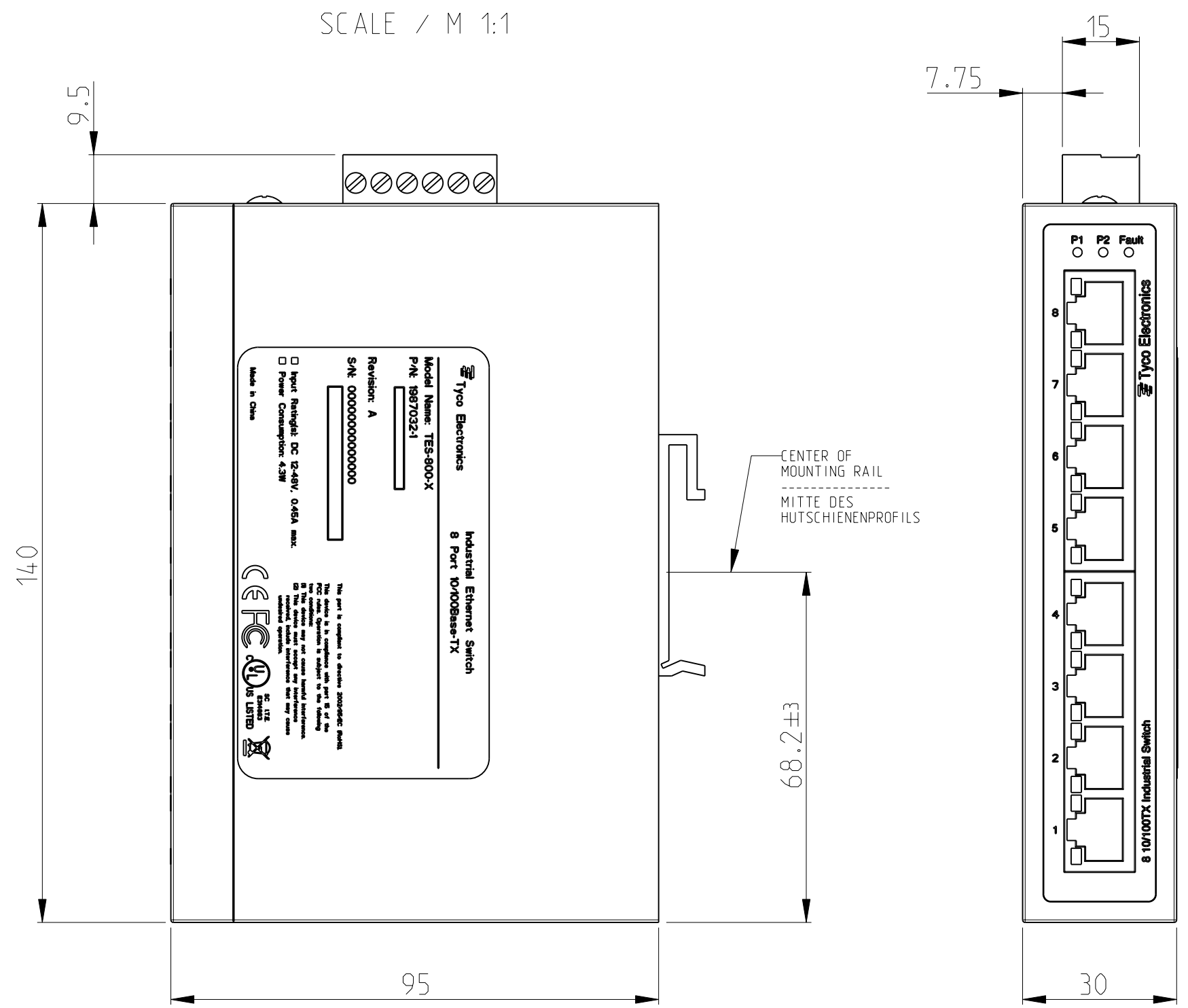


LOC	DIST	REV	DATE	BY	CHK	APPV
A1	-	P	05 JUN 2007	STO	RK	
PROJECT NO. EG0MP06058		A1	NEW DRAWING PUBLISHED	05 JUN 2007	STO	RK
		A2	SEE PCN E-07-014454	18 JUN 2007	BB	RK
		A3	DRAWING CHANGED PER PCN E-07-015934	23 JUL 2007	STO	R.K.
		A4	REV. PER PCN E-08-009570	21 APR 2008	STO	R.K.

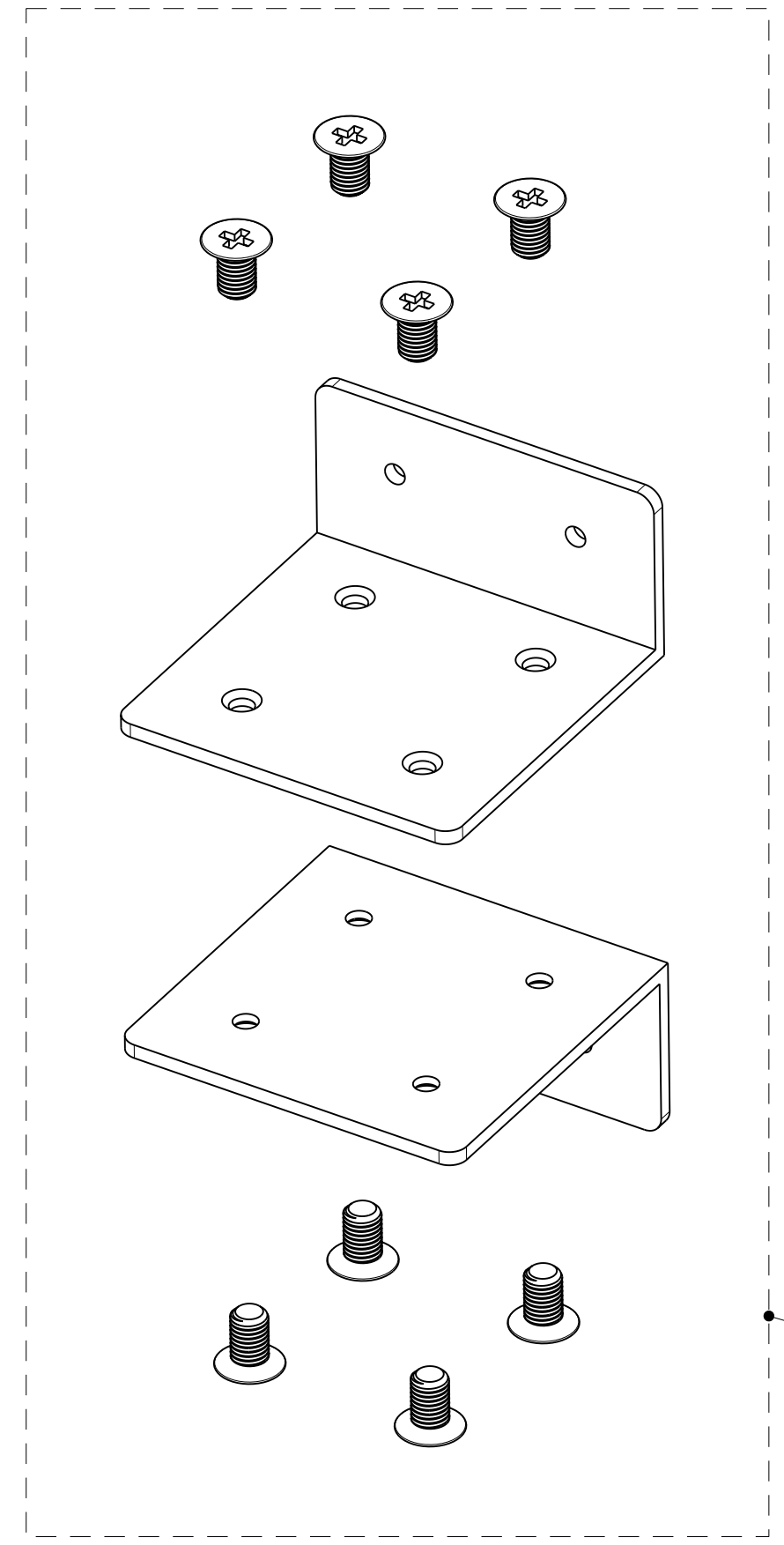
1987032-1 AS SHOWN

SCALE / M 1:1



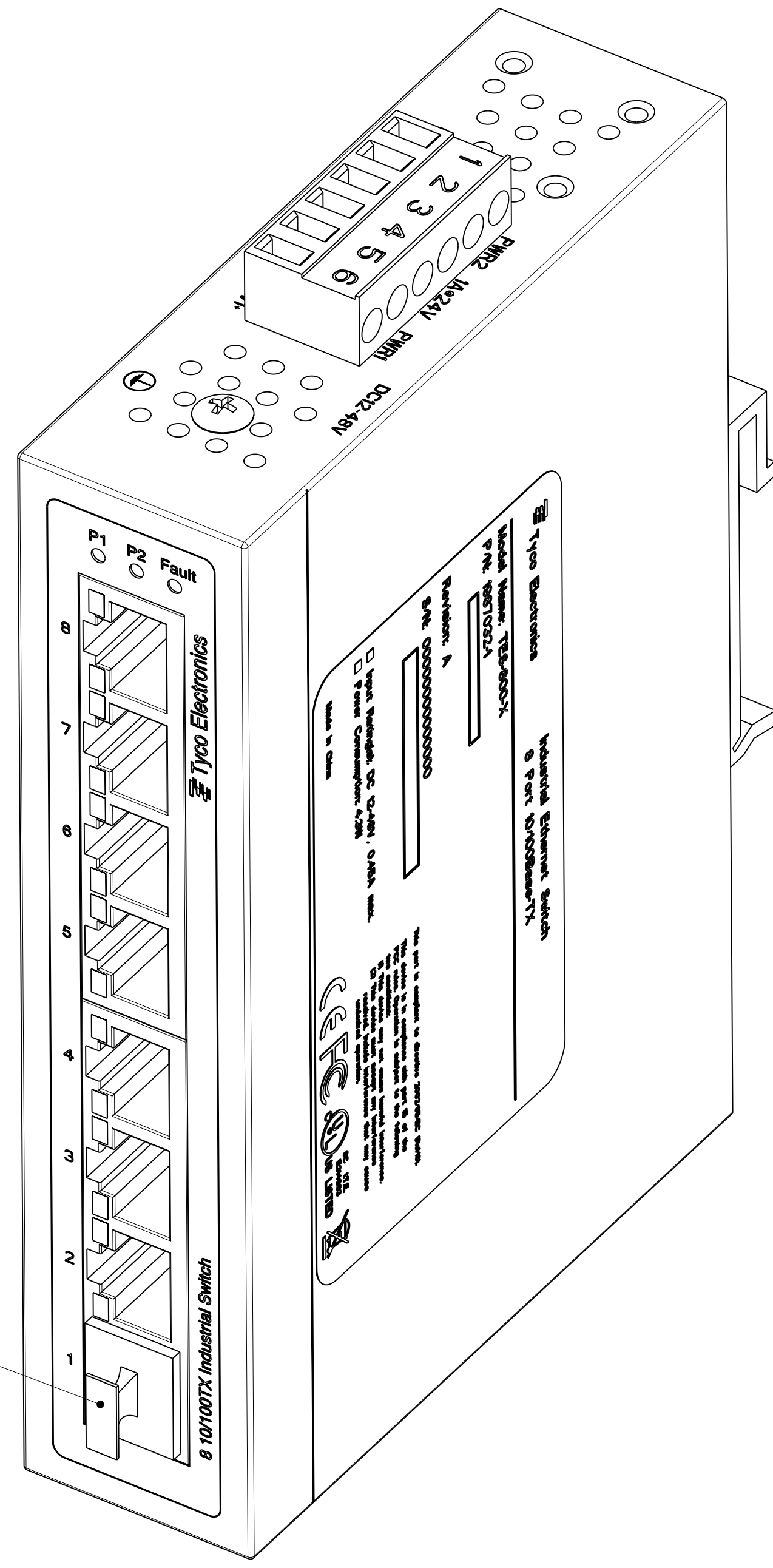
USER MANUAL CD ENCLOSED
 BEDIENUNGSANLEITUNG-CD BEILIEGEND

HARDWARE SPECIFICATION		
1	ETHERNET STANDARD COMPLIANCE	IEEE 802.3 - 10BASE-T IEEE 802.3u - 100BASE-TX IEEE 802.3x - FLOW CONTROL AND BACK PRESSURE
2	SWITCH ARCHITECTURE	STORE-AND-FORWARD SWITCHING ARCHITECTURE BACK-PLANE (SWITCHING FABRIC): 1.6Gbps PACKET THROUGHPUT ABILITY (FULL DUPLEX): 2.38Mbps @ 64bytes
3	TRANSFER RATE	10BASE-T PORT: 14 880pps 100BASE-TX PORT: 148 800pps
4	MAC ADDRESS	1K MAC ADDRESS TABLE
5	ETHERNET PORTS	8x 10/100TX RJ-45 AUTO MDI/MDI-X SUPPORT
6	LED	PER UNIT: POWER 1 (GREEN), POWER 2 (GREEN), FAULT (RED) PER PORT: LINK/ACTIVE (GREEN), FULL DUPLEX/COLLISION (YELLOW)
7	POWER SUPPLY	WIDE RANGE SUPPLY: 12 TO 48 V DC REVERSE POLARITY PROTECTED OVERLOAD CURRENT PROTECTED (RE-SETTABLE FUSE)
8	POWER CONSUMPTION	4.3 WATTS



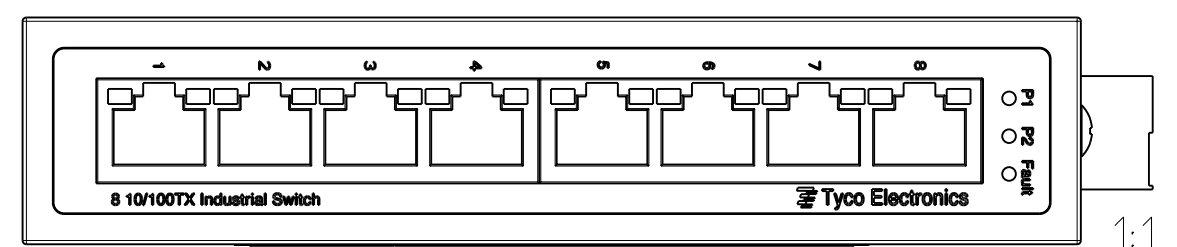
WALL MOUNTING KIT ENCLOSED
 WANDMONTAGE-BAUSATZ BEILIEGEND

DUST COVER FOR RJ45 PORT 8 x ENCLOSED
 STAUBSCHUTZKAPPE FUER RJ45-EINGANG 8 x BEILIEGEND

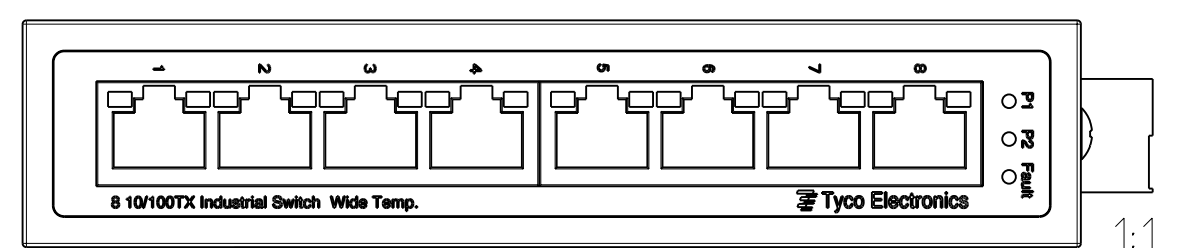


1987032-1 AS SHOWN

FRONT PANEL 1987032-1



FRONT PANEL 1987032-2



1987032-2	1987032-1	QUANTITY STUECK	ITEM NO. POS.	DESCRIPTION BENENNUNG
		1	2	8 10/100TX SWITCH TES-800-XE WIDE OPERATING TEMPERATURE RANGE -40 °C TO 75 °C
		-	1	8 10/100TX SWITCH TES-800-X STANDARD OPERATING TEMPERATURE RANGE -10 °C TO 60 °C

TYCO ELECTRONICS ORDER NO. BESTELL-NR.

<p>THIS DRAWING IS UNPUBLISHED. IT IS SUBJECT TO CHANGE WITHOUT NOTICE. THE USER ASSUMES ALL RESPONSIBILITY FOR THE CORRECT USE OF THIS DRAWING. THE USER SHALL BE RESPONSIBLE FOR THE CORRECT USE OF THIS DRAWING.</p> <p>DESS ZEICHNUNG WIRD UNVERÖFFENTLICHT. SIE IST VERÄNDERLICH. DER ANWENDER NIMMT ALLE VERANTWORTUNGEN FÜR DEN RICHTIGEN GEBRAUCH DIESER ZEICHNUNG AUF SICH. DER ANWENDER TRÄGT DIE VERANTWORTUNG FÜR DEN RICHTIGEN GEBRAUCH DIESER ZEICHNUNG.</p>	<p>DWN S.STOLZ 05JUN2007</p> <p>CHK W. BOECK 05JUN2007</p> <p>APVD P. KRAEMER 05JUN2007</p>	<p>NAME tyco Tyco Electronics AMP GmbH 64625 Bensheim (Germany)</p>
<p>DIMENSIONS: MASSENEHMEN (mm)</p> <p>TOLERANCES: UNLESS OTHERWISE SPECIFIED: ALLGEMEINTOLERANZEN</p> <p>0 PLC ±1 1 PLC ±1 2 PLC ±1 3 PLC ±1 4 PLC ±1</p>	<p>PRODUCT SPEC: 108-94083</p> <p>APPLICATION SPEC:</p>	<p>INDUSTRIAL ETHERNET SWITCH TES-800-X(E) 8 PORT 10/100BASE-TX</p>
<p>MATERIAL: -</p>	<p>WEIGHT: 440 g</p> <p>CUSTOMER DRAWING</p>	<p>SIZE: A1 00779</p> <p>DRAWING NO.: 1987032</p> <p>RESTRICTED TO: -</p>

X-ON Electronics

Largest Supplier of Electrical and Electronic Components

Click to view similar products for [TE Connectivity](#) manufacturer:

Other Similar products are found below :

[D38999/24FJ4AN](#) [570416-000](#) [CLTEQ-M81CE-SSRELAY-4-20V](#) [4-1195131-0](#) [650069-000](#) [SMD100-2](#) [358838-000](#) [CB-1022B-78](#)
[RM707012](#) [RP410012](#) [MMS42](#) [1-640426-8](#) [2EDL4CM](#) [DTS20W19-11PD-3028-LC](#) [RM202615](#) [NC6-P104-06](#) [MSPS103B](#) [DTS26F21-41HE-LC](#) [DTS26F21-41AE](#) [DTS26F21-41PE-LC](#) [DTS26F21-11SE-3028-LC](#) [30DCB6](#) [1932144-1](#) [293545-4](#) [LVR125S](#) [MS27466T25F4PB](#)
[CKB-38-78010](#) [TR04AI-TINELLOCKRING](#) [1206SFF150F/63-2](#) [D38999/20JB35HA](#) [TE1500A2R2J](#) [D38999/20WC8BB](#) [DTS24F19-11SC-3028-LC](#) [D38999/24WG11HA](#) [D38999/24WG11HN](#) [MS27467T21F11H](#) [DJT16E21-11HA](#) [MS27467T21F35J](#) [MS27467T21F11J](#)
[MS27467T21F16H-LC](#) [MS27467T21F35H](#) [MS27467T21F41H-LC](#) [1206SFH150F/24-2](#) [RP330024](#) [DJT16E21-11PA-LC](#) [DJT16E21-11HA-LC](#) [DJT16E21-11AA](#) [MS27467T21B11JA](#) [DJT16E21-11JA](#) [MS27467T21B11JA-LC](#)