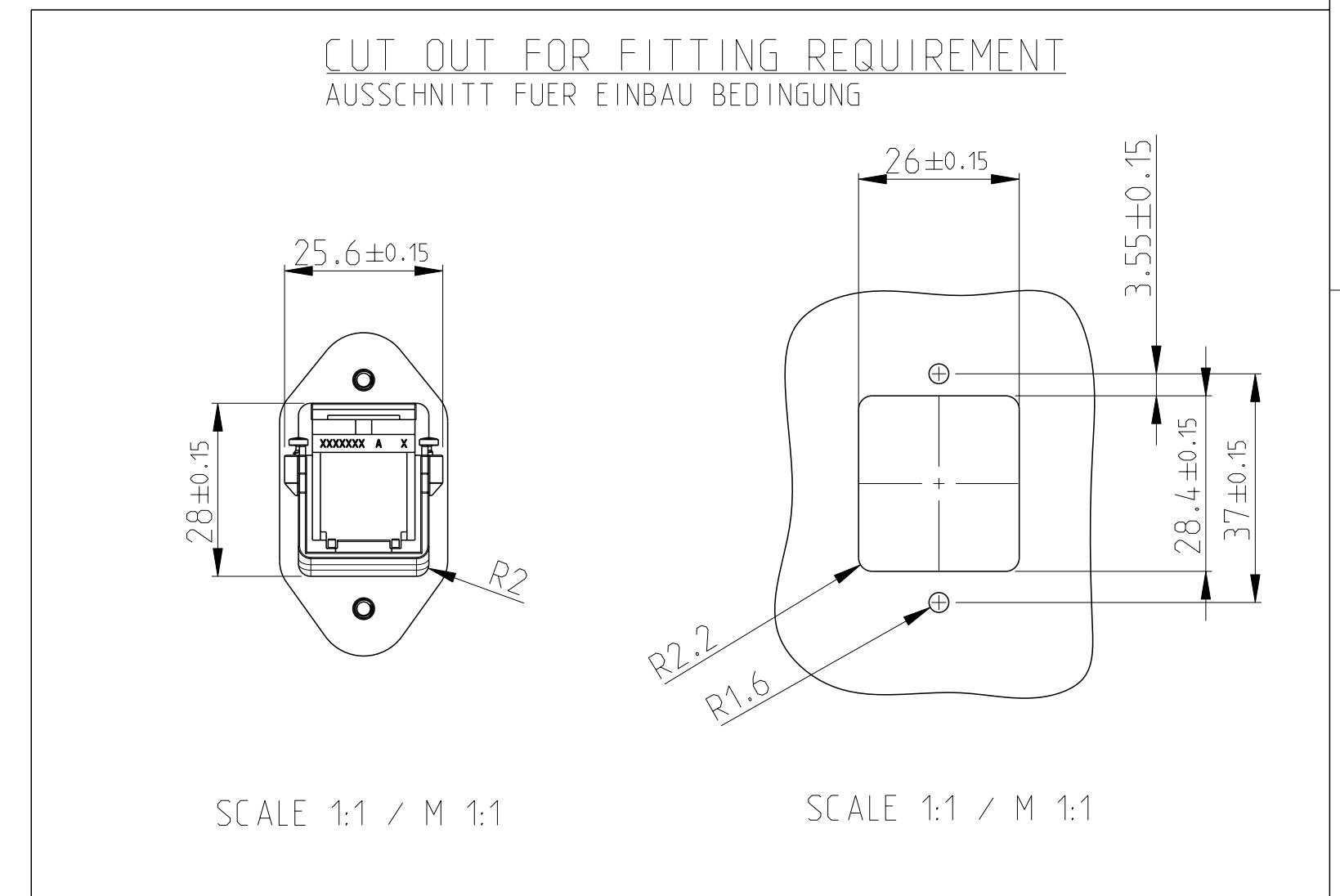
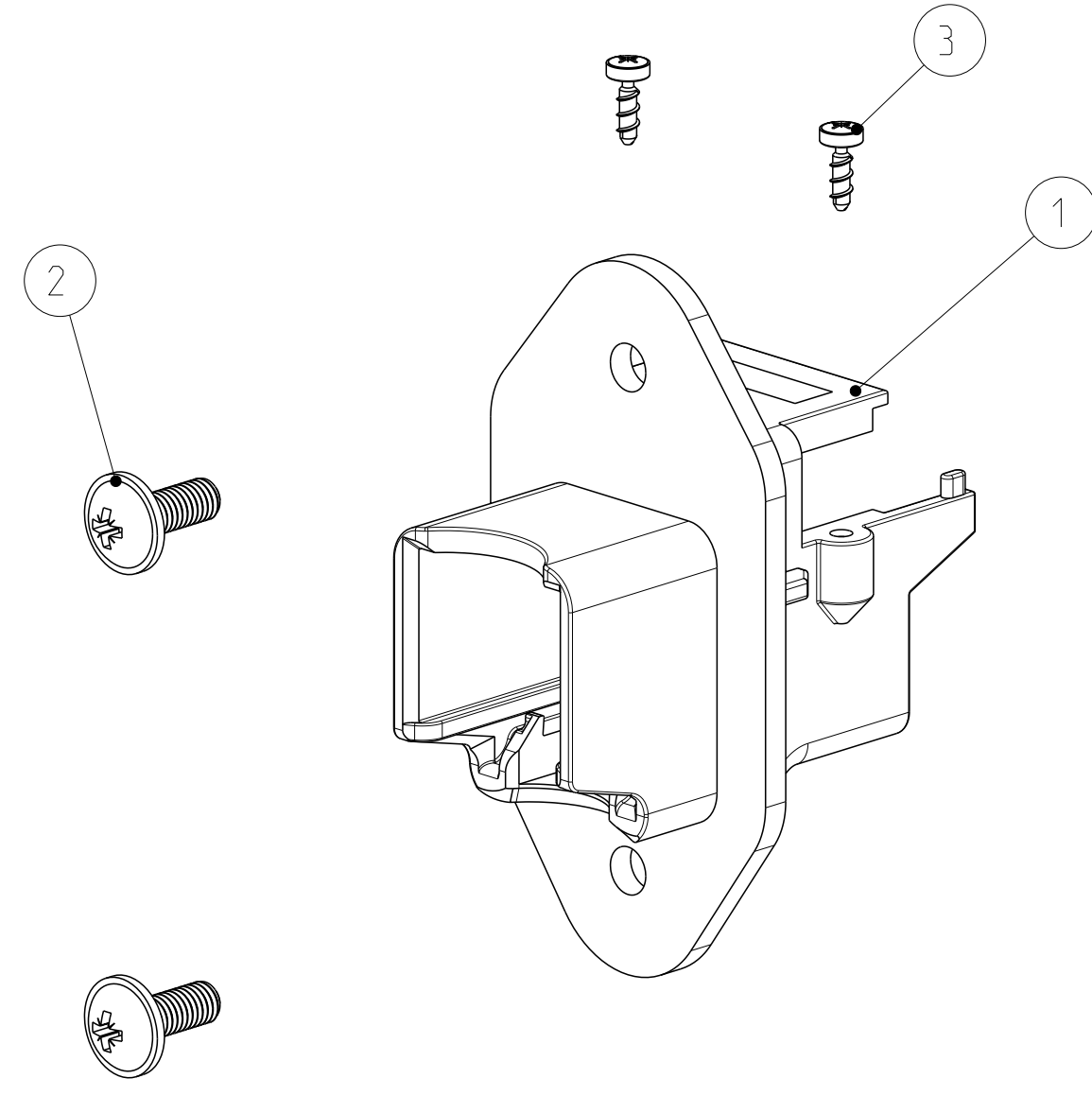


THIS DRAWING IS UNPUBLISHED. RELEASED FOR PUBLICATION 2008
 © COPYRIGHT 2008 BY - ALL RIGHTS RESERVED.

REVISIONS				
P	LTR	DESCRIPTION	DATE	APVD
A1		NEW DRAWING PUBLISHED	04FEB2008	N.T. R.K
A2		ECR-08-030470	08DEC2008	N.T. R.K.
A3		EGR-09-012142	28MAY2009	N.T. T.K.
A4		PN 1987306-2 DISCONTINUED	15DEC2017	T.J NG



SINGLE PACKING: PLASTIC BAG (MINI GRIP) WITH MANUAL.
 MULTI PACKING: 50 PIECE ITEM NO. 1 IN CORD TENSIONING BAG+
 100 PIECE ITEM NO. 2 IN PLASTIC BAG (MINI GRIP) +
 100 PIECE ITEM NO. 3 PLASTIC BAG (MINI GRIP) +
 PACKED IN CORRUGATED SHIPPING BOX WITH MANUAL.

EINZELVERPACKUNG: KUNSTOFFBEUTEL (MINI GRIP) MIT ANLEITUNG.
 MEHRFACHVERPACKUNG: 50 STUECK POS. 1 IN KORDELZUG BEUTEL +
 100 STUECK POS. 2 IN KUNSTSTOFFBEUTEL (MINI GRIP) +
 100 STUECK POS. 3 IN KUNSTSTOFFBEUTEL (MINI GRIP) +
 VERPACKT IN VERSANDKARTON MIT ANLEITUNG.

QTY REQD PER ASSY	REVISION OF EACH ASSY NO. (WHEN BLANK, USE DWG. REVISION)	DESCRIPTION	ITEM NO
-	1	MANUAL	4
-	100	TREAD ROLLING SCREW M1.6 x 6	3
-	100	ROUND HEAD SCREW M3 x 8	2
-	50	FRAME, RJ45 CONNECTOR IP20	1
-	-2	DWG. SIZE	-
-	-	←	-

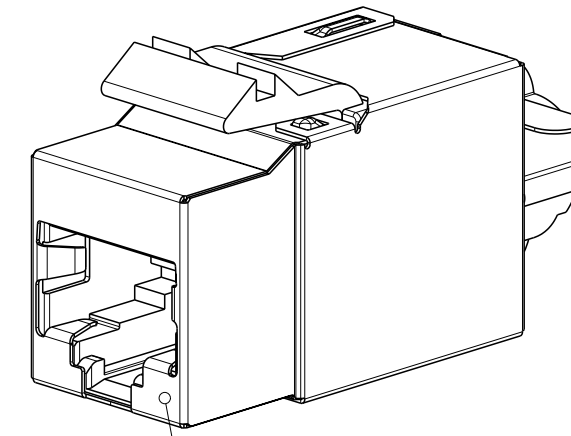
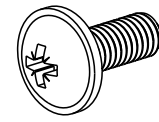
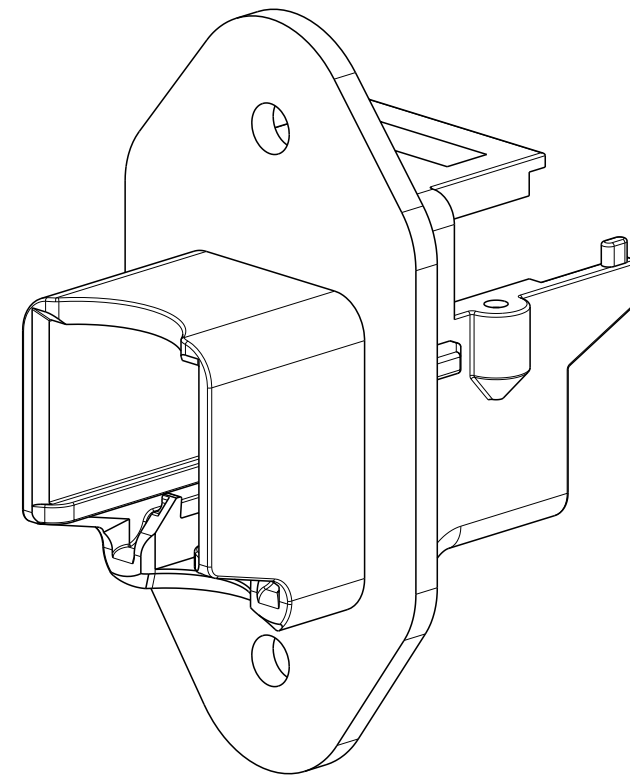
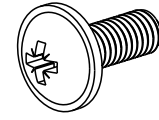
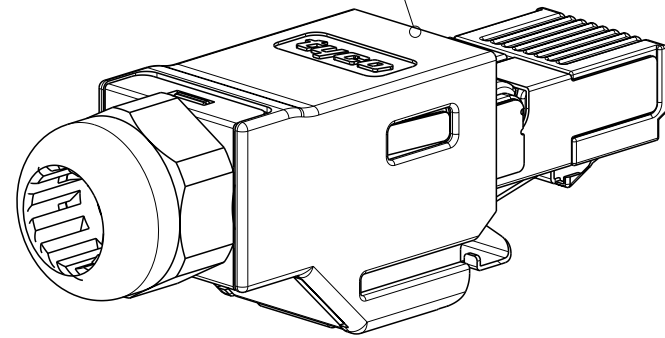
THIS DRAWING IS A CONTROLLED DOCUMENT.

DWN: 09NOV2007 N.Thirunavukkarasu	TE Connectivity
CHK: 04.FEB2008 W. BOECK	
APVD: 04.FEB2008 R. KRAEMER	NAME: ASSY, FRAME, RJ45 CONNECTOR IP20 ASSY, RAHMEN, RJ45 CONNECTOR IP20
MATERIAL: -	SIZE: A2 CAGE CODE: 00779 DRAWING NO: C=1987306 RESTRICTED TO: -
TOLERANCES UNLESS OTHERWISE SPECIFIED: 0 PLC ± 1 PLC ± 2 PLC ± 3 PLC ± 4 PLC ± ANGLES ±1° FINISH -	SCALE: 5:1 SHEET: 1 OF 2 REV: A4

APPLICABLE VERSION
 ANWENDBARE VERSION

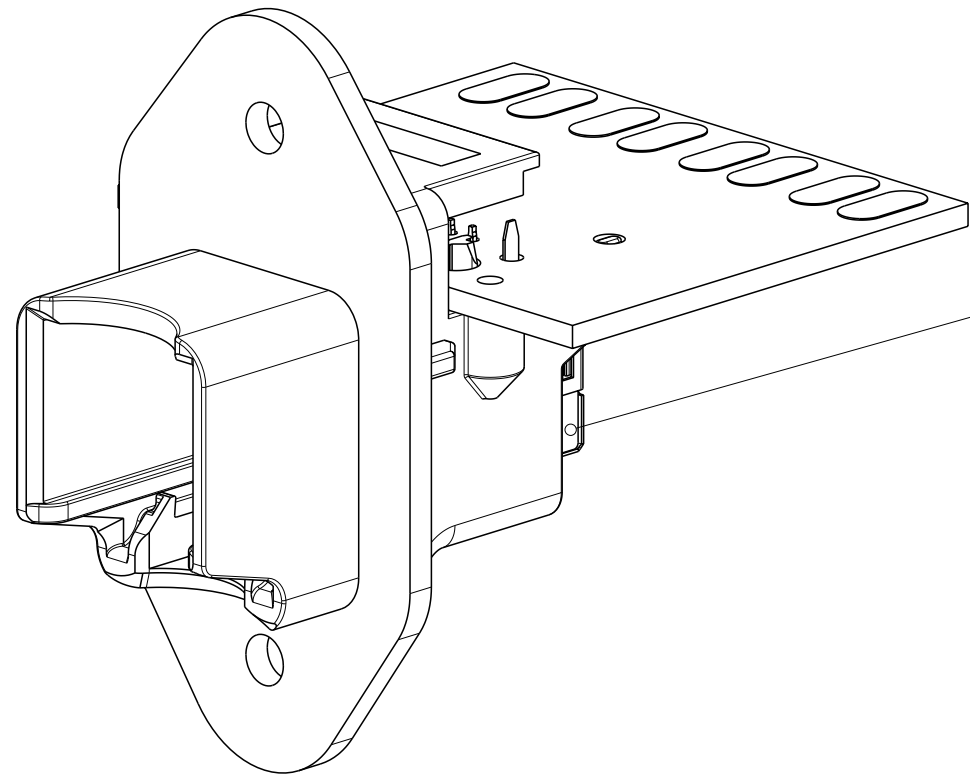
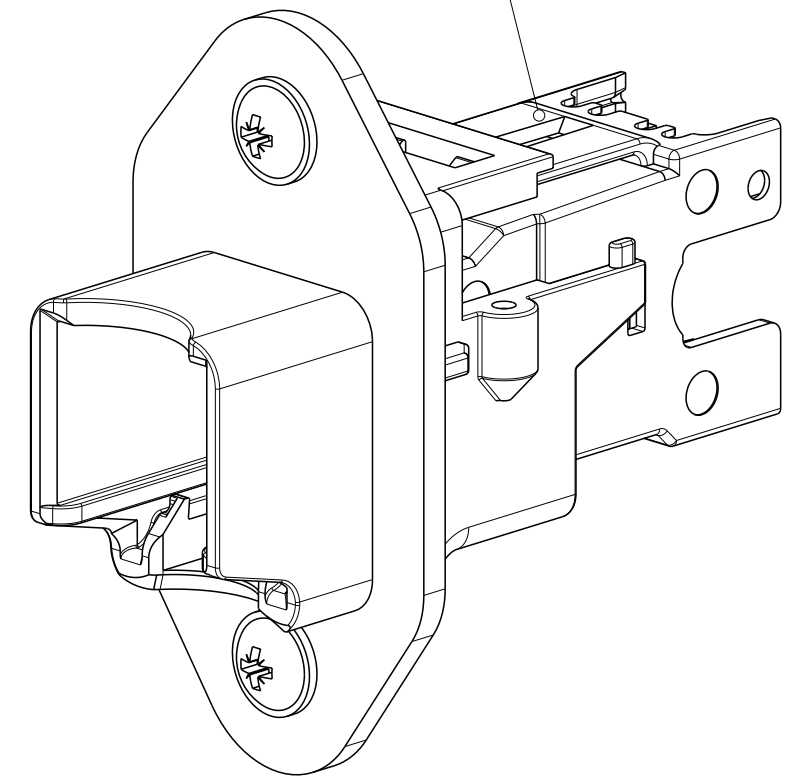
REVISIONS				
P	LTR	DESCRIPTION	DATE	APVD
-		SEE SHEET 1	-	-

RJ 45 CONNECTOR IP20 4POS DEG
 PN: 1903526-1
 RJ 45 CONNECTOR IP20 8POS DEG
 PN: 1903527-1
 RJ45 CONNECTOR IP20 45DEG
 INDUSTRIAL ETHERNET
 PN:1987236



ASSEMBLY, SL 110 JACK, SHIELD, CATEGORY 5e
 PN: 1375189-1

AMP-TWIST-6S SL JACK
 PN1711342-1



INVERTED MOD JACK ASSY SHIELDED
 PN: 406541-1

THIS DRAWING IS A CONTROLLED DOCUMENT.		DWN N.Thirunavukkarasu 09NOV2007	STE TE Connectivity	
DIMENSIONS: mm		CHK W. BOECK 04.FEB2008		
TOLERANCES UNLESS OTHERWISE SPECIFIED:		APVD R.KRAEMER 04.FEB2008	NAME ASSY, FRAME, RJ45 CONNECTOR IP20 ASSY, RAHMEN, RJ45 CONNECTOR IP20	
0 PLC ±		PRODUCT SPEC	SIZE	
1 PLC ±		APPLICATION SPEC	CAGE CODE	
2 PLC ±		WEIGHT	DRAWING NO	
3 PLC ±		CUSTOMER DRAWING	RESTRICTED TO	
4 PLC ±		SCALE 2:1	SHEET 2 OF 2	
ANGLES ±1°		REV A4		
FINISH				
MATERIAL				

X-ON Electronics

Largest Supplier of Electrical and Electronic Components

Click to view similar products for [Modular Connectors / Ethernet Connectors](#) category:

Click to view products by [TE Connectivity](#) manufacturer:

Other Similar products are found below :

[8949-H88/06BLKA/SN](#) [74441-0010/BKN](#) [MP1010RX-1000](#) [MP44RX-1000](#) [PHJ-4P4C-1-V-4](#) [PHP-6P6C-5](#) [GAX-3-66](#) [GAX-8-62](#) [GDCX-PA-66-50](#) [GDCX-PN-64](#) [GDCX-PN-66](#) [GDCX-PN-66-50](#) [GDLX-A-66](#) [GDLX-N-66](#) [GDLX-S-66](#) [GDLX-S-88K](#) [GDTX-S-88-50](#) [GDX-PA-1010](#) [GLX-N-1010M-BLK](#) [GLX-S-88M-BLK](#) [GMX-N-1010](#) [GMX-S-1010](#) [GMX-S-66](#) [GMX-SMT4-N-88](#) [GPX-2-64](#) [GSGX-N-2-88](#) [GSGX-N-4-88](#) [GSX-NS2-88-3.05](#) [GSX-NS2-88-3.05-50](#) [GSX-NS-88-3.05-50](#) [PT-108A-8C-UL](#) [PT-J951-8C](#) [PTS-J531-8CS-50UL](#) [1-1775629-2](#) [A-2014-0-4](#) [GWLX-S-88-GR](#) [GWLX-S9-88-YG](#) [DC-1021-8-WH-6](#) [1300530003](#) [1324640-4](#) [RJ11FTVC2G](#) [RJ11FTVC2N](#) [RJFTVX2SA1G](#) [132764-001](#) [1413235](#) [MP88X-1000](#) [MPS88RX-5000](#) [E5288-S000K3-L](#) [E5908-15A242-L](#) [155302-001](#)