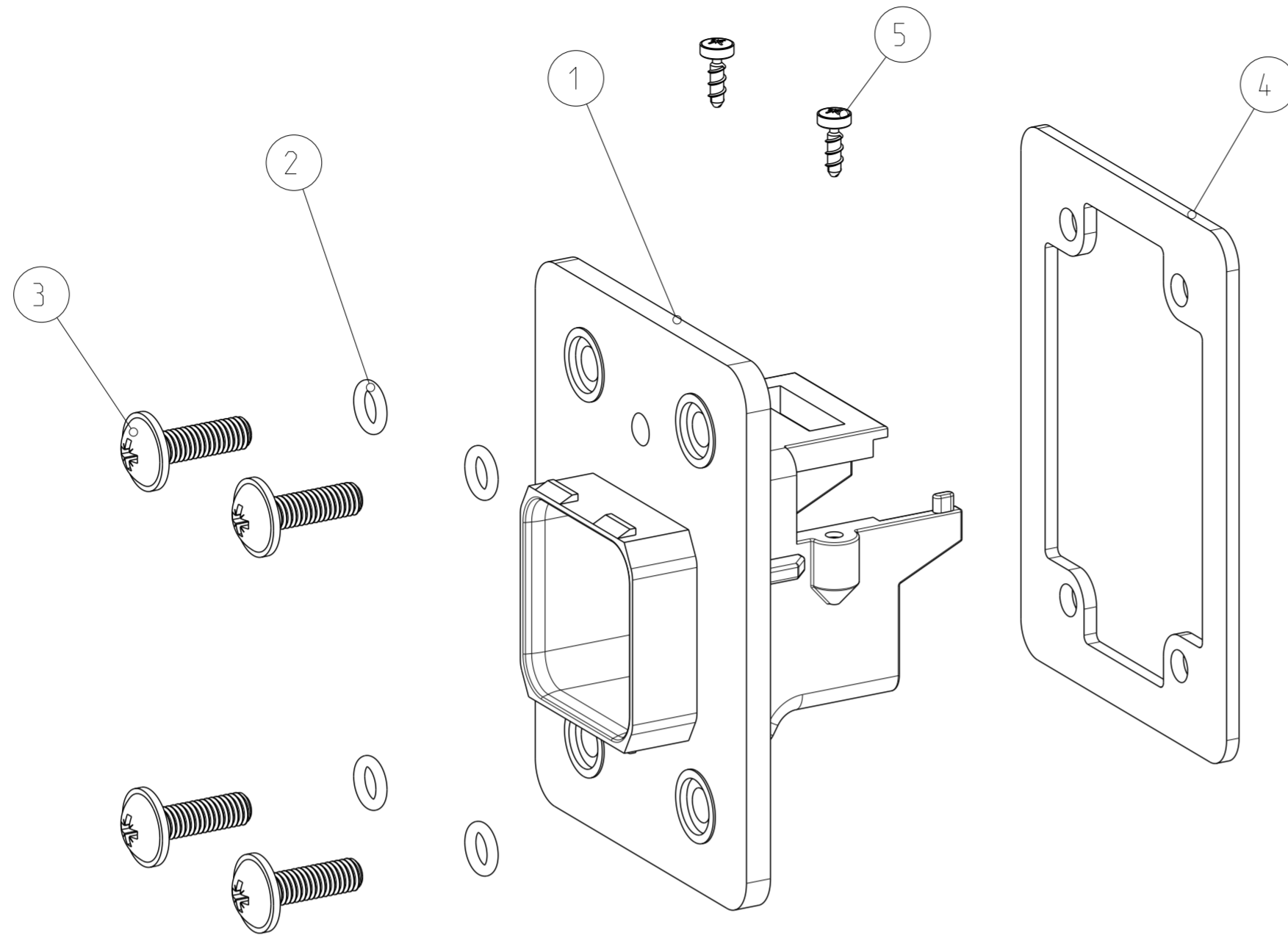


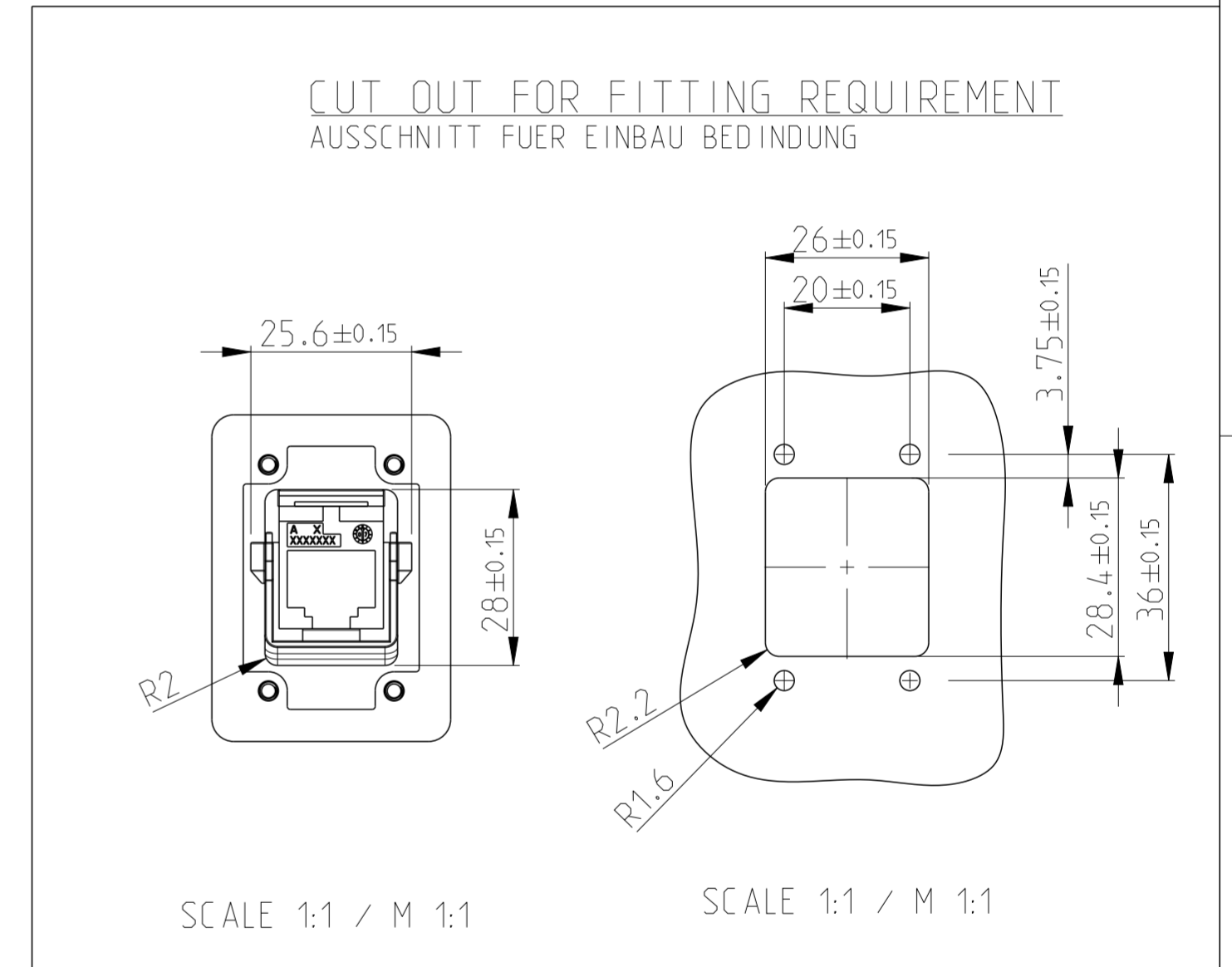
THIS DRAWING IS UNPUBLISHED. RELEASED FOR PUBLICATION 2008  
 © COPYRIGHT 2008 BY - ALL RIGHTS RESERVED.

REVISIONS				
P	LTR	DESCRIPTION	DATE	APVD
	A4	PN 1987307-2 DISCONTINUED	05JAN2018	TJ NG



SINGLE PACKING: PLASTIC BAG (MINI GRIP) WITH MANUAL.  
 MULTI PACKING: 50 PIECE ITEM NO. 1 IN CORD TENSIONING BAG+  
 200 PIECE ITEM NO. 2 IN PLASTIC BAG (MINI GRIP) +  
 200 PIECE ITEM NO. 3 PLASTIC BAG (MINI GRIP) +  
 50 PIECE ITEM NO. 4 PLASTIC BAG (MINI GRIP) +  
 100 PIECE ITEM NO. 5 PLASTIC BAG (MINI GRIP) +  
 PACKED IN CORRUGATED SHIPPING BOX WITH MANUAL.

EINZELVERPACKUNG: KUNSTSTOFFBEUTEL (MINI GRIP) MIT ANLEITUNG.  
 MEHRFACHVERPACKUNG: 50 STUECK POS. 1 IN KORDELZUG BEUTEL +  
 200 STUECK POS. 2 IN KUNSTSTOFFBEUTEL (MINI GRIP) +  
 200 STUECK POS. 3 IN KUNSTSTOFFBEUTEL (MINI GRIP) +  
 50 STUECK POS. 4 IN KUNSTSTOFFBEUTEL (MINI GRIP) +  
 100 STUECK POS. 5 IN KUNSTSTOFFBEUTEL (MINI GRIP) +  
 VERPACKT IN VERSANDKARTON MIT ANLEITUNG.



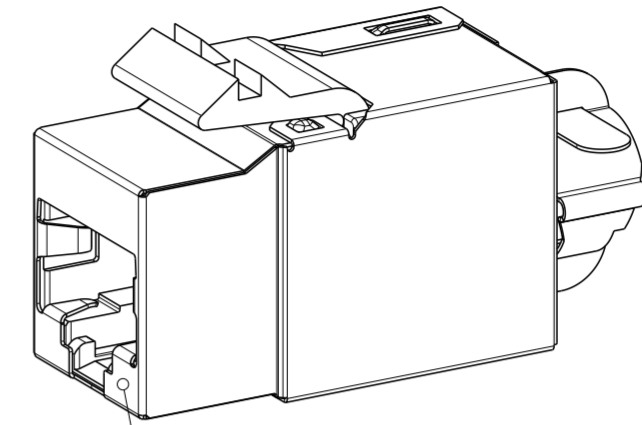
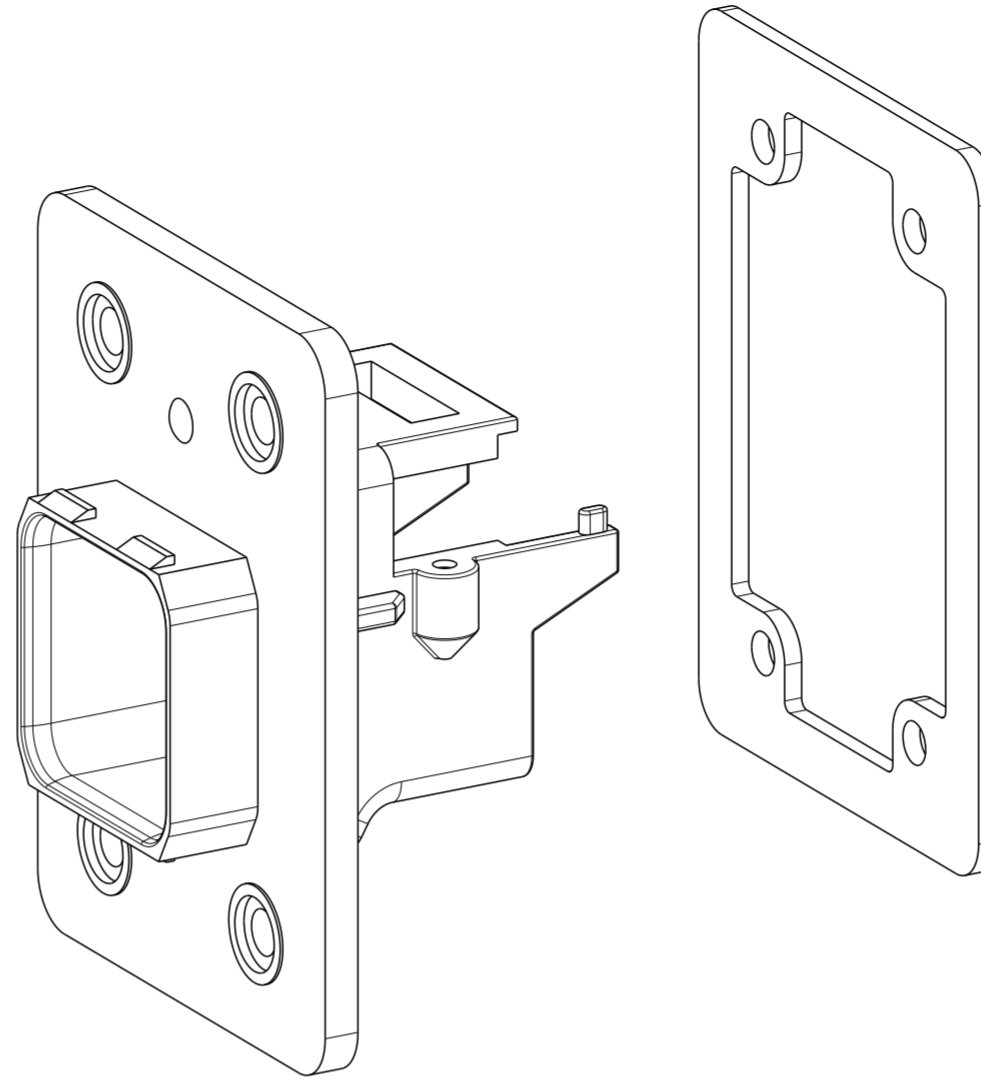
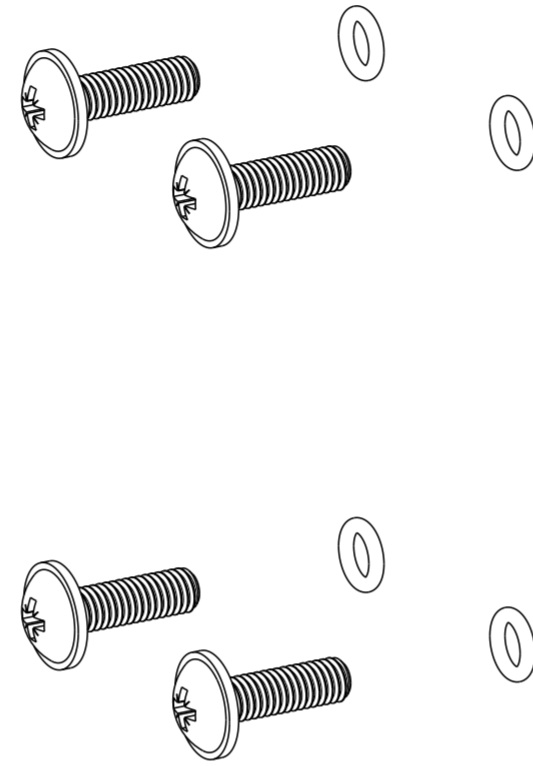
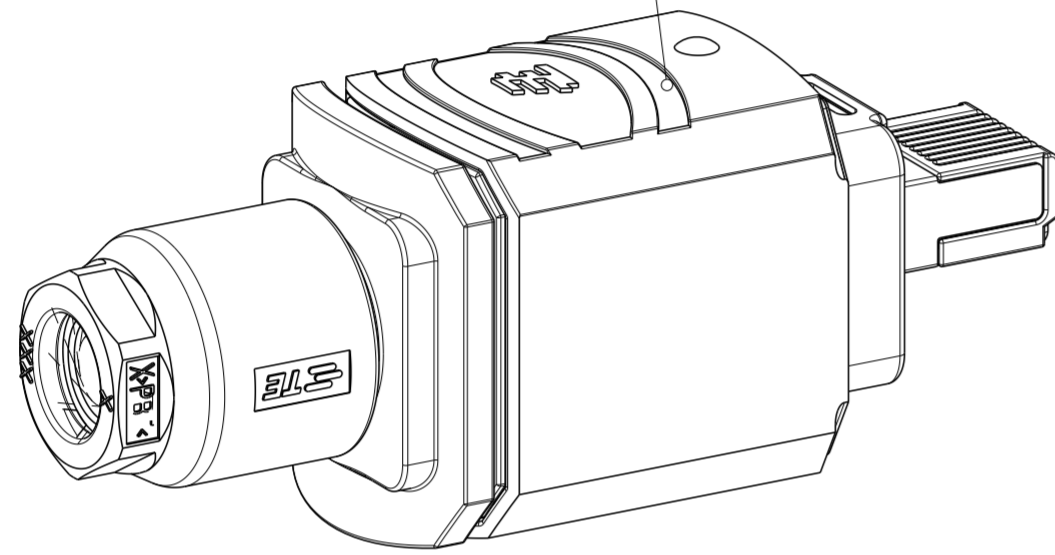
-	-	1	1	-	MANUAL	6
-	-	100	2	-	TREAD ROLLING SCREW M1.6 x 6	5
-	-	50	1	-	FLAT GASKET FOR IP67 PUSH-PULL FRAME	4
-	-	200	4	-	ROUND HEAD SCREW Mx3	3
-	-	200	4	-	O-RING SEAL FOR IP67 PUSH-PULL FRAME	2
-	-	50	1	-	FRAME, PUSH-PULL, IP67	1
-	-	-2	-1	DWG. SIZE	PARTNUMBER	DESCRIPTION
-	-	-	-	←	REVISION OF EACH ASSY NO. (WHEN BLANK, USE DWG. REVISION)	
QTY REQD PER ASSY		PARTS LIST				

THIS DRAWING IS A CONTROLLED DOCUMENT.		DWN N.Thirunavukkarasu 08NOV2007	TE Connectivity	
DIMENSIONS: mm		CHK W_BOECK 08NOV2007		
TOLERANCES UNLESS OTHERWISE SPECIFIED:		APVD R.KRAEMER 08NOV2007	NAME ASSY, IP65/67 PUSH-PULL FRAME ASSY, IP65/67 PUSH-PULL RAHMEN	
0 PLC ± 1 PLC ± 2 PLC ± 3 PLC ± 4 PLC ± ANGLES ±°		PRODUCT SPEC 108-94207	RESTRICTED TO	
MATERIAL - material_2		FINISH - finish_spec_2	SIZE A2	CAGE CODE 00779
		WEIGHT -	DRAWING NO C-1987307	SCALE 2:1
		CUSTOMER DRAWING	SHEET 1 OF 2	REV A4

APPLICABLE VERSION  
 ANWENDBARE VERSION

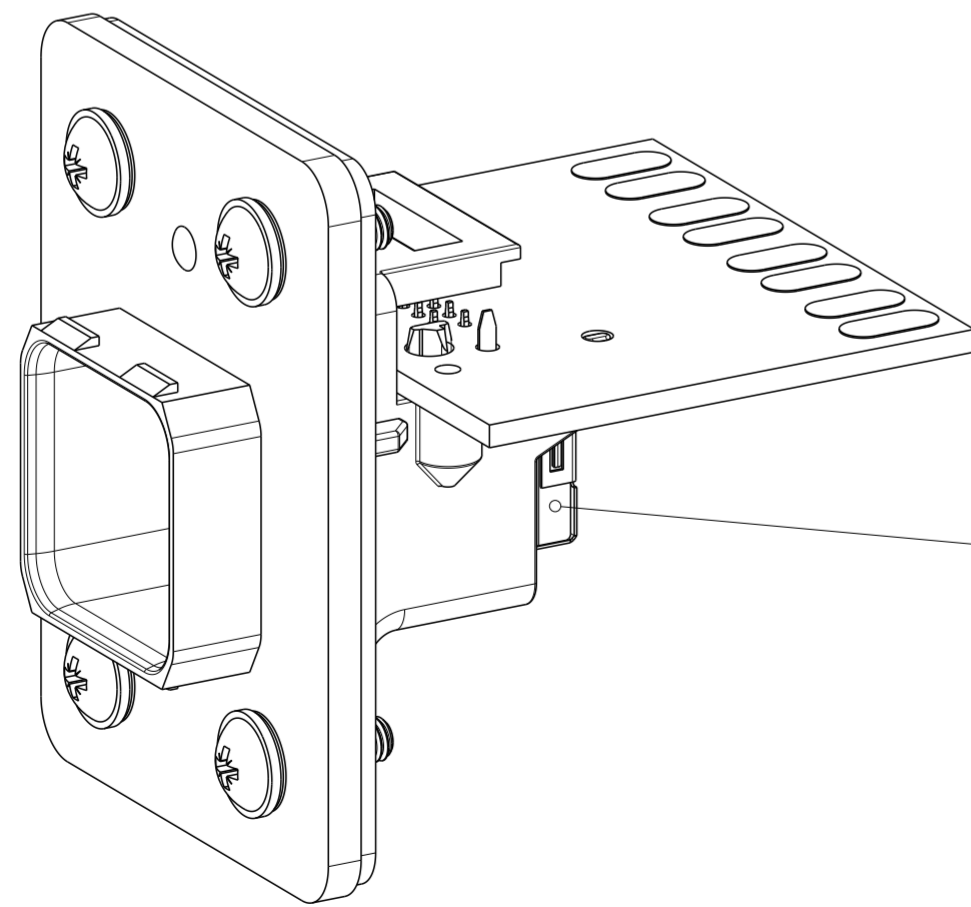
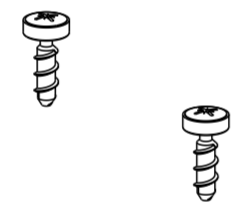
REVISIONS				
P	LTR	DESCRIPTION	DATE	APVD
-	-	SEE SHEET 1	-	-

RJ45 PLUG, PUSH-PULL, ASSY  
 RJ45 STECKER, PUSH-PULL, ASSY  
 CAT5, SHIELDED  
 PN: 1987004-1/-2

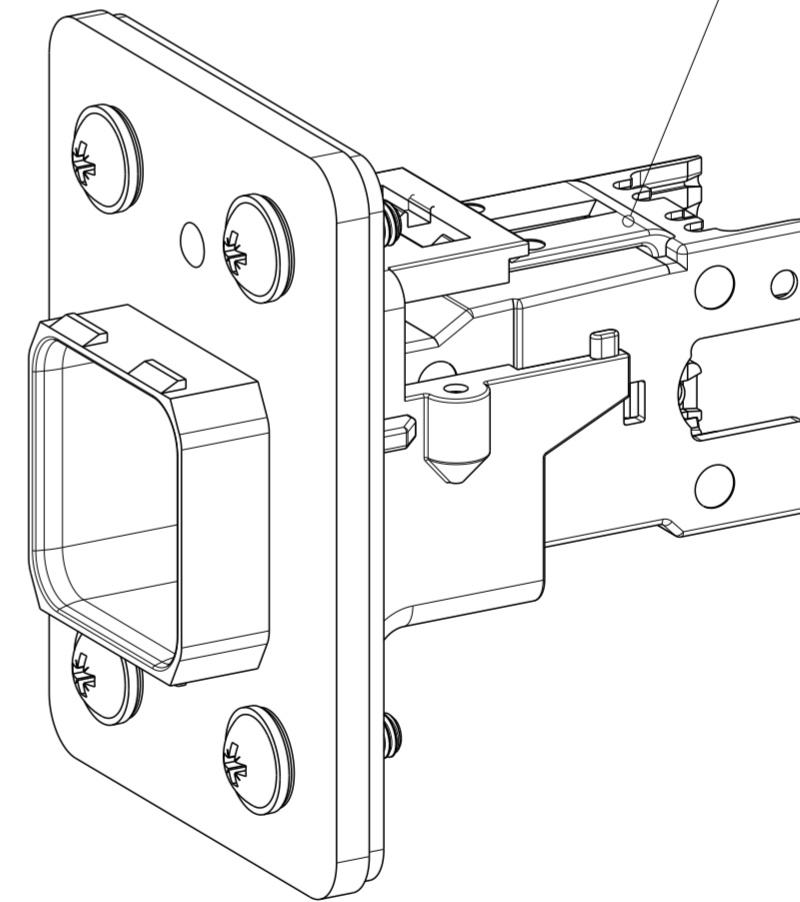



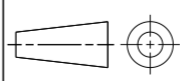
ASSEMBLY, SL 110 JACK, SHIELD, CATEGORY 5e  
 PN: 1375189-1

AMP-TWIST-6S SL JACK  
 PN1711342-1



INVERTED MOD JACK ASSY SHIELDED  
 PN: 406541-1



THIS DRAWING IS A CONTROLLED DOCUMENT.		DWN 08NOV2007 N.Thirunavukkarasu	 TE Connectivity	
DIMENSIONS: mm		CHK 08NOV2007 W_BOECK		
TOLERANCES UNLESS OTHERWISE SPECIFIED:		APVD 08NOV2007 R.KRAEMER	NAME ASSY, IP67 PUSH-PULL FRAME ASSY, IP67 PUSH-PULL RAHMEN	
		PRODUCT SPEC	SIZE CAGE CODE DRAWING NO RESTRICTED TO	
MATERIAL - material_2		FINISH - finish_spec_2	A2 00779 C-1987307	
		CUSTOMER DRAWING	SCALE 2:1	SHEET 2 OF 2 REV A4

## X-ON Electronics

Largest Supplier of Electrical and Electronic Components

*Click to view similar products for [Modular Connectors / Ethernet Connectors](#) category:*

*Click to view products by [TE Connectivity](#) manufacturer:*

Other Similar products are found below :

[8949-H88/06BLKA/SN](#) [74441-0010/BKN](#) [MP1010RX-1000](#) [MP44RX-1000](#) [PHJ-4P4C-1-V-4](#) [PHP-6P6C-5](#) [GAX-3-66](#) [GAX-8-62](#) [GDCX-PA-66-50](#) [GDCX-PN-64](#) [GDCX-PN-66](#) [GDCX-PN-66-50](#) [GDLX-A-66](#) [GDLX-N-66](#) [GDLX-S-66](#) [GDLX-S-88K](#) [GDTX-S-88-50](#) [GDX-PA-1010](#) [GLX-N-1010M-BLK](#) [GLX-S-88M-BLK](#) [GMX-N-1010](#) [GMX-S-1010](#) [GMX-S-66](#) [GMX-SMT4-N-88](#) [GPX-2-64](#) [GSGX-N-2-88](#) [GSGX-N-4-88](#) [GSX-NS2-88-3.05](#) [GSX-NS2-88-3.05-50](#) [GSX-NS-88-3.05-50](#) [PT-108A-8C-UL](#) [PT-J951-8C](#) [PTS-J531-8CS-50UL](#) [1-1775629-2](#) [A-2014-0-4](#) [GWLX-S-88-GR](#) [GWLX-S9-88-YG](#) [DC-1021-8-WH-6](#) [1300530003](#) [1324640-4](#) [RJ11FTVC2G](#) [RJ11FTVC2N](#) [RJFTVX2SA1G](#) [132764-001](#) [1413235](#) [MP88X-1000](#) [MPS88RX-5000](#) [E5288-S000K3-L](#) [E5908-15A242-L](#) [155302-001](#)