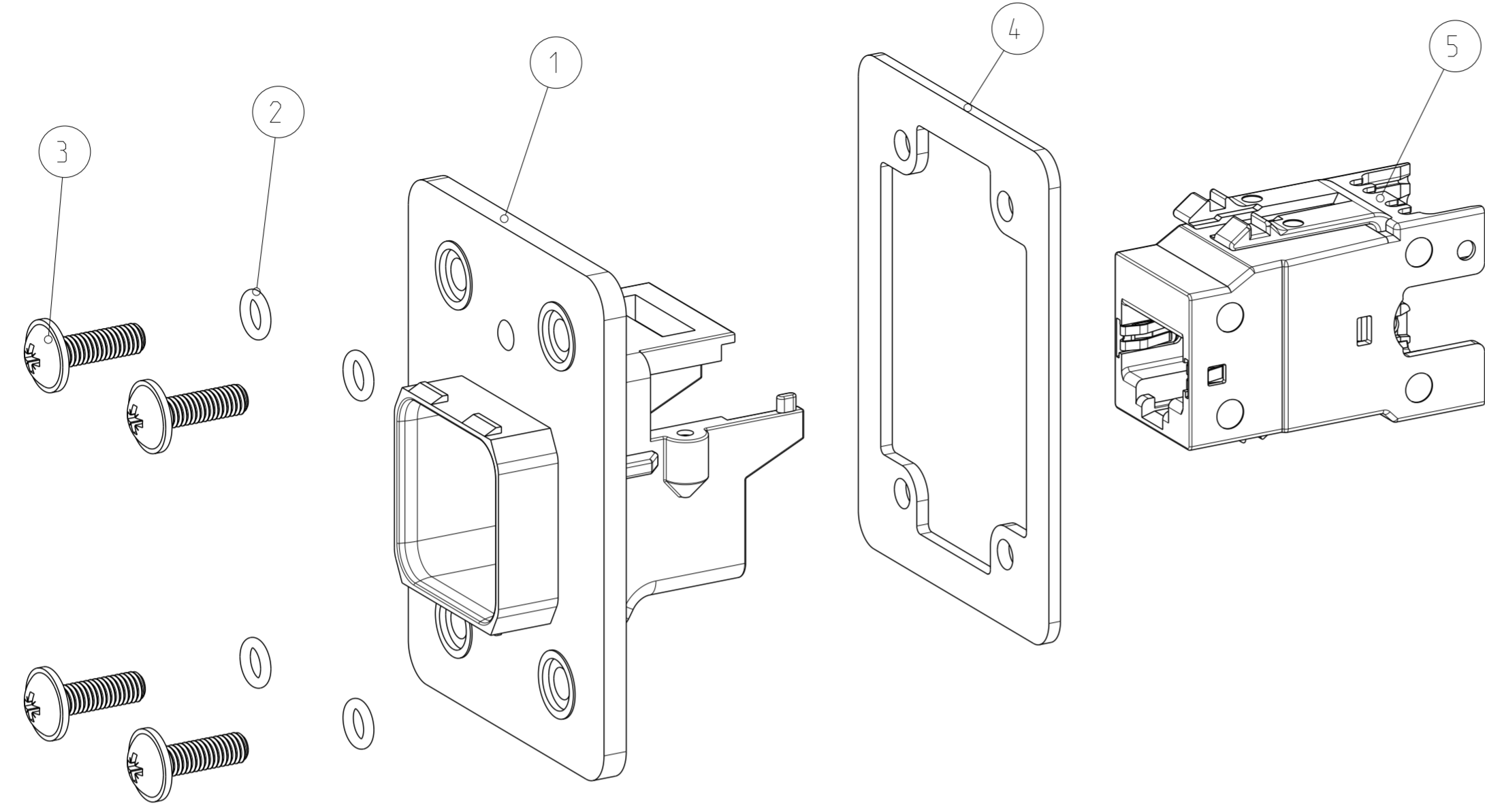


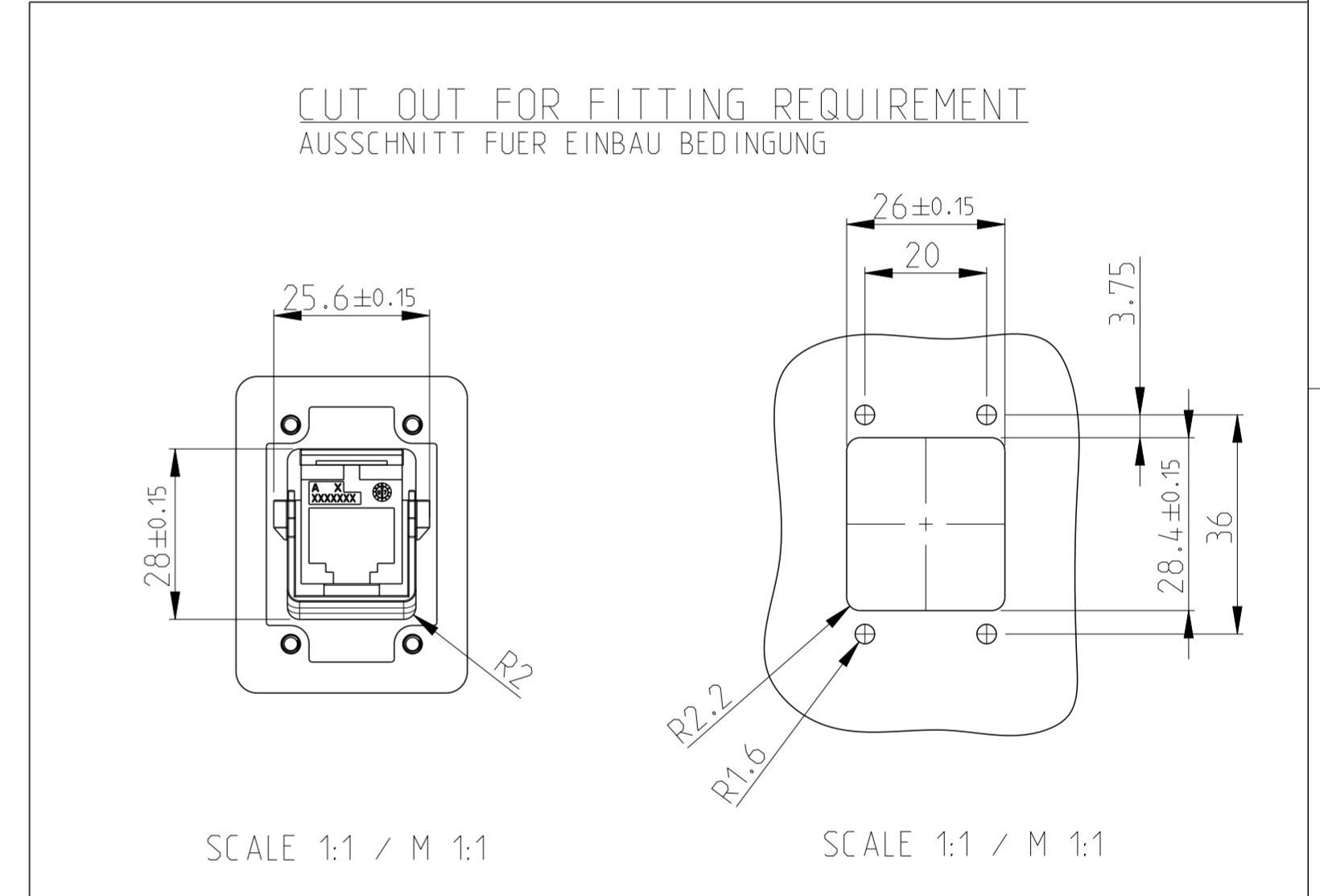
THIS DRAWING IS UNPUBLISHED. RELEASED FOR PUBLICATION 2008
 © COPYRIGHT 2008 BY - ALL RIGHTS RESERVED.

REVISIONS					
P	LTR	DESCRIPTION	DATE	DWN	APVD
A4		PN 1987673-2 DISCONTINUED	05JAN2018	TJ	NG
B		ITEM 5 DESCRIPTION UPDATED-PCN E-19-016955	31OCT2019	SS	JK



SINGLE PACKING: PLASTIC BAG (MINI GRIP) WITH MANUAL.
 MULTI PACKING: 50 PIECE ITEM NO. 1 IN CORD TENSIONING BAG+
 200 PIECE ITEM NO. 2 IN PLASTIC BAG (MINI GRIP) +
 200 PIECE ITEM NO. 3 PLASTIC BAG (MINI GRIP) +
 50 PIECE ITEM NO. 4 PLASTIC BAG (MINI GRIP) +
 50 PIECE ITEM NO. 5 FOLDING BOX +
 PACKED IN CORRUGATED SHIPPING BOX WITH MANUAL.

EINZELVERPACKUNG: KUNSTSTOFFBEUTEL (MINI GRIP) MIT ANLEITUNG.
 MEHRFACHVERPACKUNG: 50 STUECK POS. 1 IN KORDELZUG BEUTEL +
 200 STUECK POS. 2 IN KUNSTSTOFFBEUTEL (MINI GRIP) +
 200 STUECK POS. 3 IN KUNSTSTOFFBEUTEL (MINI GRIP) +
 50 STUECK POS. 4 IN KUNSTSTOFFBEUTEL (MINI GRIP) +
 50 STUECK POS. 5 IN FALTSCHACHEL +
 VERPACKT IN VERSANDKARTON MIT ANLEITUNG.



SCALE 1:1 / M 1:1

SCALE 1:1 / M 1:1

-	-	1	1	-	-	MANUAL	6
-	-	50	1	-	-	AMP-TWIST SLX, 6S, GY	5
-	-	50	1	-	-	FLAT GASKET FOR IP67 PUSH-PULL FRAME	4
-	-	200	4	-	-	ROUND HEAD SCREW Mx3	3
-	-	200	4	-	-	O-RING SEAL FOR IP67 PUSH-PULL FRAME	2
-	-	50	1	-	-	FRAME, PUSH-PULL, IP67	1
-	-	-2	-1	DWG. SIZE	PARTNUMBER	DESCRIPTION	ITEM NO
← REVISION OF EACH ASSY NO. (WHEN BLANK, USE DWG. REVISION)							
QTY REQD PER ASSY				PARTS LIST			

THIS DRAWING IS A CONTROLLED DOCUMENT.		DWN N.Thirunavukkarasu 21NOV2008	TE Connectivity	
DIMENSIONS: mm		CHK W_BOECK 21NOV2008		
TOLERANCES UNLESS OTHERWISE SPECIFIED:		APVD R.KRAEMER 21NOV2008	NAME ASSY, IP65/67 CAT6 PUSH-PULL FRAME ASSY, IP65/67 CAT6 PUSH-PULL RAHMEN	
0 PLC ± 1 PLC ± 2 PLC ± 3 PLC ± 4 PLC ± ANGLES ±° FINISH		PRODUCT SPEC 108-94207	RESTRICTED TO	
MATERIAL		APPLICATION SPEC	SIZE A2	CAGE CODE 00779
		WEIGHT	DRAWING NO C-1987673	SCALE 2:1
		CUSTOMER DRAWING	SHEET 1 OF 1	REV B

X-ON Electronics

Largest Supplier of Electrical and Electronic Components

Click to view similar products for [Modular Connectors / Ethernet Connectors](#) category:

Click to view products by [TE Connectivity](#) manufacturer:

Other Similar products are found below :

[8949-H88/06BLKA/SN](#) [74441-0010/BKN](#) [MP1010RX-1000](#) [MP44RX-1000](#) [PHJ-4P4C-1-V-4](#) [PHP-6P6C-5](#) [GAX-3-66](#) [GAX-8-62](#) [GDCX-PA-66-50](#) [GDCX-PN-64](#) [GDCX-PN-66](#) [GDCX-PN-66-50](#) [GDLX-A-66](#) [GDLX-N-66](#) [GDLX-S-66](#) [GDLX-S-88K](#) [GDTX-S-88-50](#) [GDX-PA-1010](#) [GLX-N-1010M-BLK](#) [GLX-S-88M-BLK](#) [GMX-N-1010](#) [GMX-S-1010](#) [GMX-S-66](#) [GMX-SMT4-N-88](#) [GPX-2-64](#) [GSGX-N-2-88](#) [GSGX-N-4-88](#) [GSX-NS2-88-3.05](#) [GSX-NS2-88-3.05-50](#) [GSX-NS-88-3.05-50](#) [PT-108A-8C-UL](#) [PT-J951-8C](#) [PTS-J531-8CS-50UL](#) [1-1775629-2](#) [A-2014-0-4](#) [GWLX-S-88-GR](#) [GWLX-S9-88-YG](#) [DC-1021-8-WH-6](#) [1300530003](#) [1324640-4](#) [RJ11FTVC2G](#) [RJ11FTVC2N](#) [RJFTVX2SA1G](#) [132764-001](#) [1413235](#) [MP88X-1000](#) [MPS88RX-5000](#) [E5288-S000K3-L](#) [E5908-15A242-L](#) [155302-001](#)