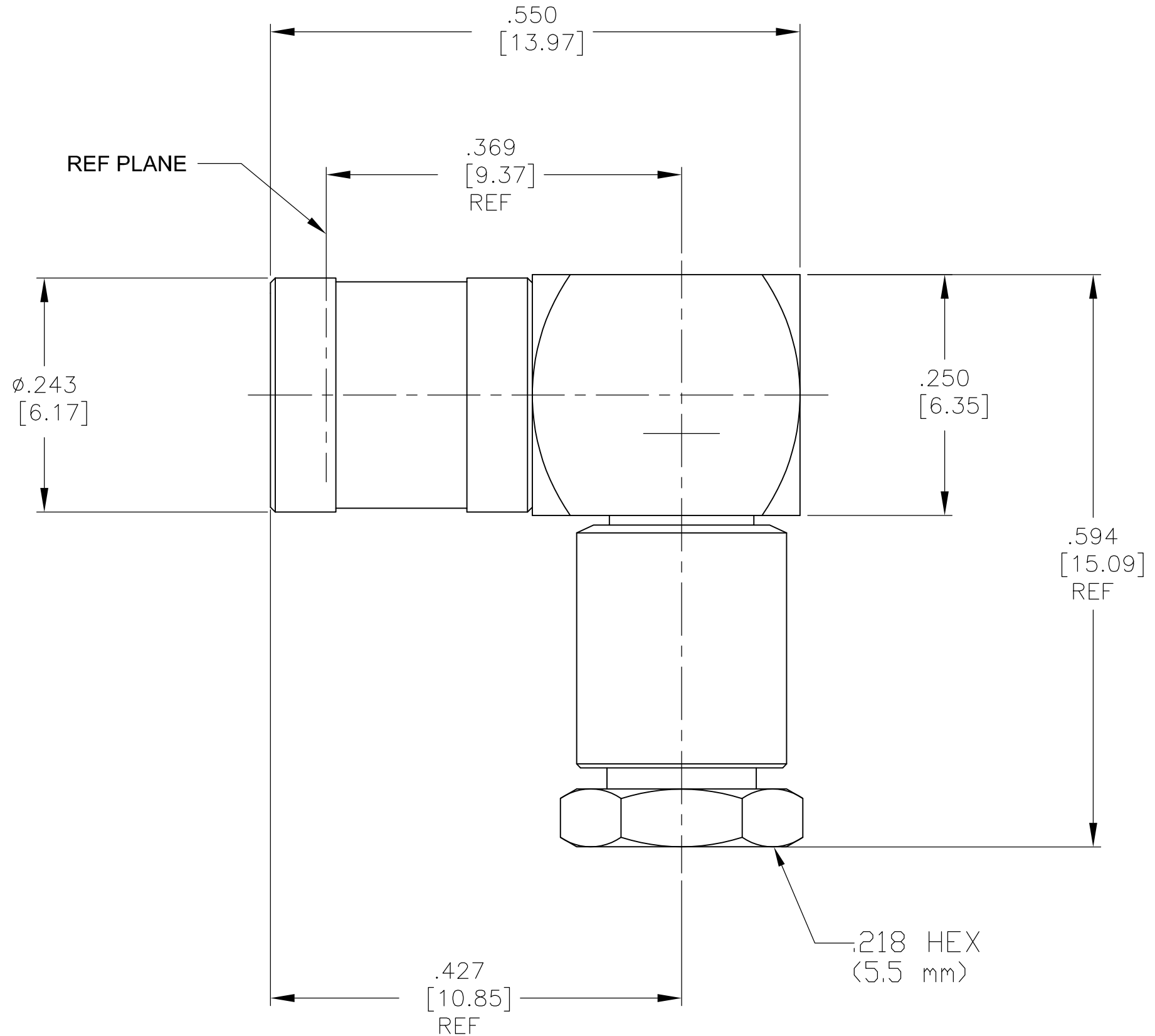


THIS DRAWING IS UNPUBLISHED. RELEASED FOR PUBLICATION		
© COPYRIGHT - By - ALL RIGHTS RESERVED.		
HOUSING CLAMP NUT INNER SLEEVE WASHER WEDGE	BRASS PER QQ-B-626 COMP. 360	GOLD PLATED PER ASTM-B-488 OVER NICKEL PLATE PER AMS-QQ-N-290 COPPER PLATE PER AMS-2418
DIELECTRIC	TFE FLUOROCARBON PER ASTM-D-1457, MIL-P-19468, AND FED. SPEC L-P-403	N/A
CENTER CONTACT	BERYLLIUM COPPER PER ASTM B196, ALLOY 173	GOLD PLATED PER ASTM-B-488 OVER NICKEL PLATE PER AMS-QQ-N-290 COPPER PLATE PER AMS-2418
RETAINING RING	BERYLLIUM COPPER PER ASTM B194	GOLD PLATE PER ASTM-B-488 OVER COPPER PLATE PER AMS-2418
SLEEVE CAP	BRASS PER QQ-B-626 COMP. 360	GOLD PLATE PER ASTM-B-488 OVER COPPER PLATE PER AMS-2418
COMPONENT	MATERIAL	FINISH

LOC		DIST		REVISIONS			
-	-	P	LTR	DESCRIPTION	DATE	DWN	APVD
-	-	A	-	RELEASED PER ECO 13-00249	2-6-13	CT	DW



1. CAPTURED CENTER CONTACT.

DESIGNED TO USE MIS-20057/5-001 CABLE CABLE ENTRY DIAMETER MIN
INNER SLEEVE: .065 [1.65]
CONTACT: .028 [0.71]
CLAMP NUT: .112 [2.84]

1996185-1
PART NUMBER

THIS DRAWING IS A CONTROLLED DOCUMENT. DIMENSIONING AND TOLERANCING PER ASME Y14.5M (ISO STANDARDS)		DWN C.C.THOMAS 06FEB2013	TE Connectivity	
DIMENSIONS: INCHES [mm]		CHK D.WILSON 2-6-13	NAME	
TOLERANCES UNLESS OTHERWISE SPECIFIED: 0 PLC ± - 1 PLC ± - 2 PLC ± - 3 PLC ± .005 [0.13] 4 PLC ± - ANGLES ± -		APVD D.WILSON 2-6-13	SMB RT ANGLE SNAP ON CABLE PLUG ASSY, CLAMP ATTACHMENT	
MATERIAL SEE TABLE	FINISH SEE TABLE	APPLICATION SPEC 408-4729	SIZE A2	RESTRICTED TO
CUSTOMER DRAWING		WEIGHT -	CAGE CODE 00779	DRAWING NO 1996185
		SCALE 8:1	SHEET 1 of 1	REV A

X-ON Electronics

Largest Supplier of Electrical and Electronic Components

Click to view similar products for [RF Connectors / Coaxial Connectors](#) category:

Click to view products by [TE Connectivity](#) manufacturer:

Other Similar products are found below :

[R125315120](#) [8915-1511-000](#) [89674-0827](#) [5916-1103-603](#) [0106-001-000](#) [6-0001-3](#) [6001-7071-019](#) [6002-7051-003](#) [6002-7551-202](#) [6059674-1](#) [619550-1](#) [630059-000](#) [M39012/25-0021](#) [M39012/79-3008](#) [M39030/3-01N](#) [M39030/3-03N](#) [M3933/25-29N](#) [M3933/25-36N](#) [6500-7071-046](#) [6501-1071-002](#) [M83723/72W24576](#) [M83723/72W2457N](#) [6769](#) [CX050L2AQ](#) [7002-1541-010](#) [7003-1572-002](#) [7004-1512-000](#) [7009-1511-004](#) [7010-1511-000](#) [7029-1511-060](#) [7101-1541-010](#) [7101-1571-002](#) [7105-1521-002](#) [7145-1521-002](#) [7209-1511-011](#) [7210-1511-012](#) [7210-1511-015](#) [7210-1511-019](#) [7210-1511-040](#) [7225-1512-050](#) [7242-1511-000](#) [73137-5015](#) [73216-2241](#) [73251-0111](#) [73251-0672](#) [73276-1501](#) [73366-0013](#) [73404-2300](#) [73413-6080](#) [734151610](#)