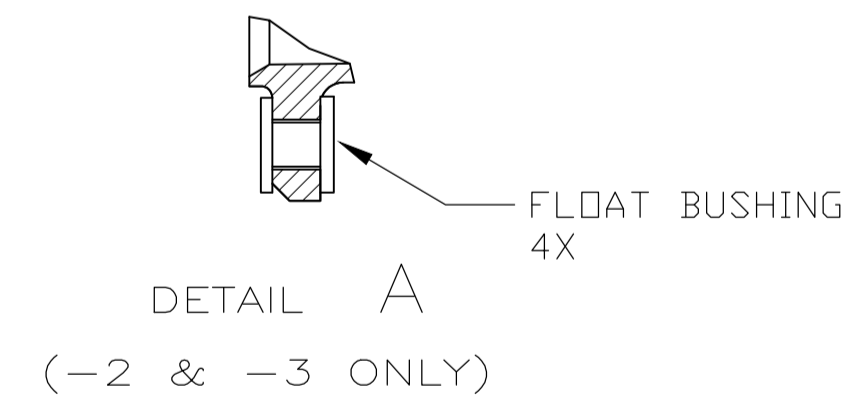
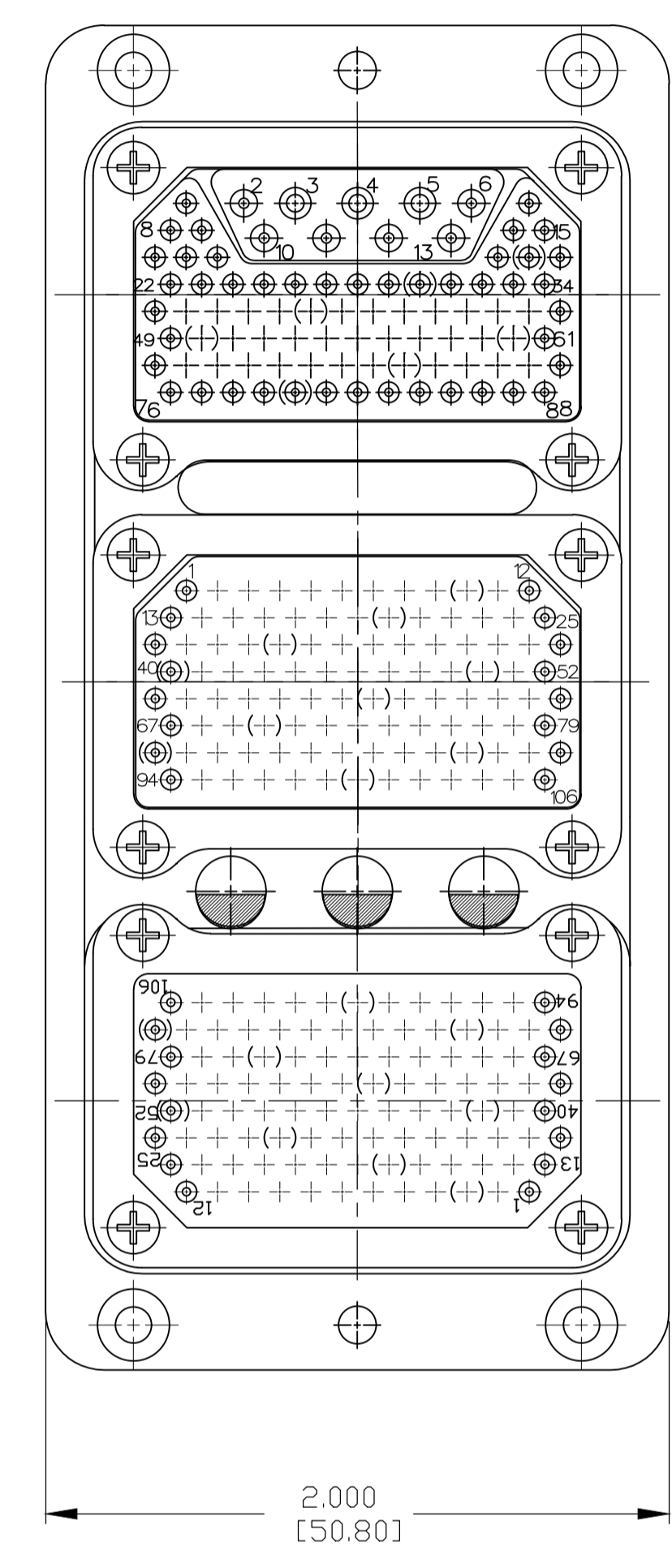
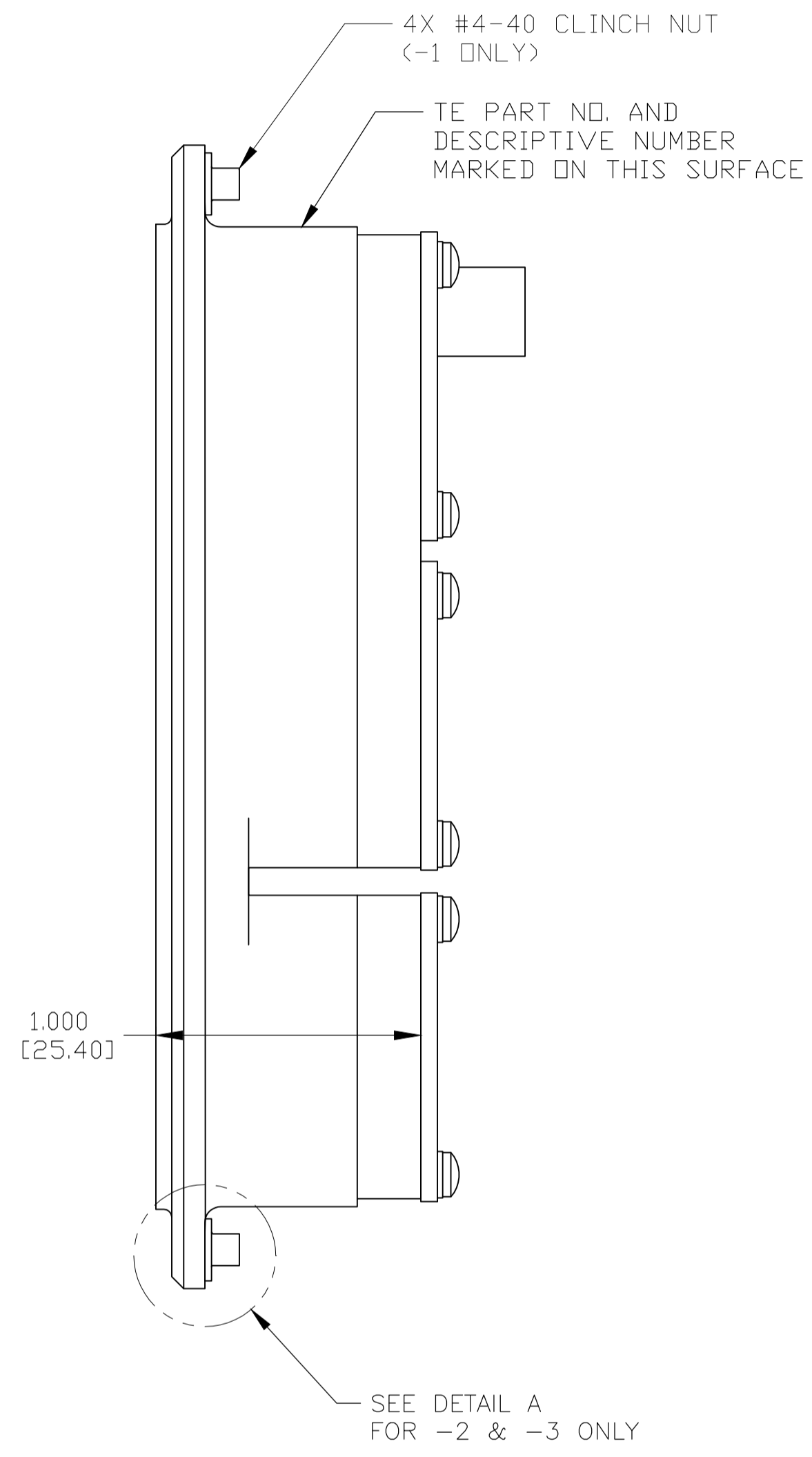
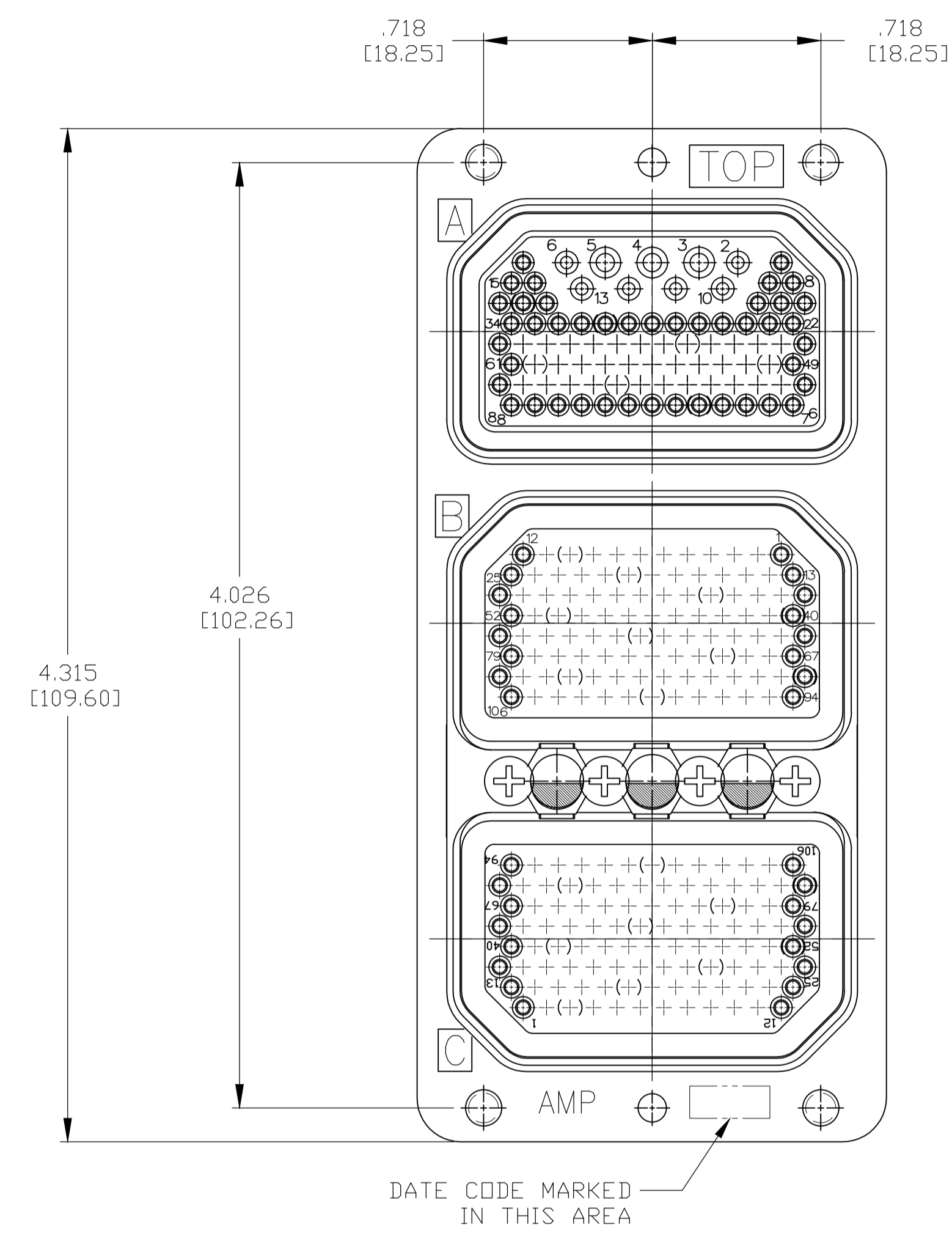


REVISIONS				
P	LTR	DESCRIPTION	DATE	OWN / APPV
A		RELEASED	11-2-18	CT RL

1484376



- 1 MATERIAL AND FINISH:
 SHELL: DIE CAST ALUMINUM ALLOY PER FED. SPEC QQ-A-591.
 STANDARD FINISH: CADMIUM PLATE PER QQ-P-416, TYPE 1,
 CLASS 2 YELLOW CHROMATE CONVERSION.
 INSERT RETENTION PLATE: ALUMINUM ALLOY, BLUE ANODIZE
 PER MIL-A-8625.
 SCREWS AND WASHERS: STAINLESS STEEL, PASSIVATED.
 POLARIZING POSTS: STAINLESS STEEL, PASSIVATED.
 POLARIZING NUTS: BRASS, CADMIUM PLATED.
- 2 KEYING TO BE ASSEMBLED PER LAST 2 DIGITS OF DESCRIPTIVE

PART NO.	DESCRIPTIVE NO.	KEYING
1996220-1	RM3R88P106P106P-0101 (201)	"01"
1996220-2	RM3R88P106P106P-3301 (201)	"01"
1996220-3	RM3R88P106P106P-3304 (201)	"04"

THIS DRAWING IS A CONTROLLED DOCUMENT.

DIMENSIONS: INCHES [mm]	TOLERANCES UNLESS OTHERWISE SPECIFIED:	DIN C.C.THOMAS 11-2-18 CHK R.LACUESTA 11-2-18 APPV R.LACUESTA 11-2-18	NAME RCPT ASSY, ARINC 404
0. PLC ± - 1. PLC ± - 2. PLC ± - 3. PLC ± .010 [0.25] 4. PLC ± - ANGLES ± -		PRODUCT SPEC	RESTRICTED TO
MATERIAL	FINISH	WEIGHT 0.000000	SIZE CAGE CODE DRAWING NO. A1 00779 C=1996220
		CUSTOMER DRAWING	SCALE 2:1 SHEET 1 OF 1 REV A

X-ON Electronics

Largest Supplier of Electrical and Electronic Components

Click to view similar products for [TE Connectivity](#) manufacturer:

Other Similar products are found below :

[D38999/24FJ4AN](#) [570416-000](#) [CLTEQ-M81CE-SSRELAY-4-20V](#) [4-1195131-0](#) [650069-000](#) [SMD100-2](#) [358838-000](#) [CB-1022B-78](#)
[RM707012](#) [RP410012](#) [MMS42](#) [1-640426-8](#) [2EDL4CM](#) [DTS20W19-11PD-3028-LC](#) [RM202615](#) [NC6-P104-06](#) [MSPS103B](#) [DTS26F21-41HE-LC](#) [DTS26F21-41AE](#) [DTS26F21-41PE-LC](#) [DTS26F21-11SE-3028-LC](#) [30DCB6](#) [1932144-1](#) [293545-4](#) [LVR125S](#) [MS27466T25F4PB](#)
[CKB-38-78010](#) [TR04AI-TINELLOCKRING](#) [1206SFF150F/63-2](#) [D38999/20JB35HA](#) [TE1500A2R2J](#) [D38999/20WC8BB](#) [DTS24F19-11SC-3028-LC](#) [D38999/24WG11HA](#) [D38999/24WG11HN](#) [MS27467T21F11H](#) [DJT16E21-11HA](#) [MS27467T21F35J](#) [MS27467T21F11J](#)
[MS27467T21F16H-LC](#) [MS27467T21F35H](#) [MS27467T21F41H-LC](#) [1206SFH150F/24-2](#) [RP330024](#) [DJT16E21-11PA-LC](#) [DJT16E21-11HA-LC](#) [DJT16E21-11AA](#) [MS27467T21B11JA](#) [DJT16E21-11JA](#) [MS27467T21B11JA-LC](#)