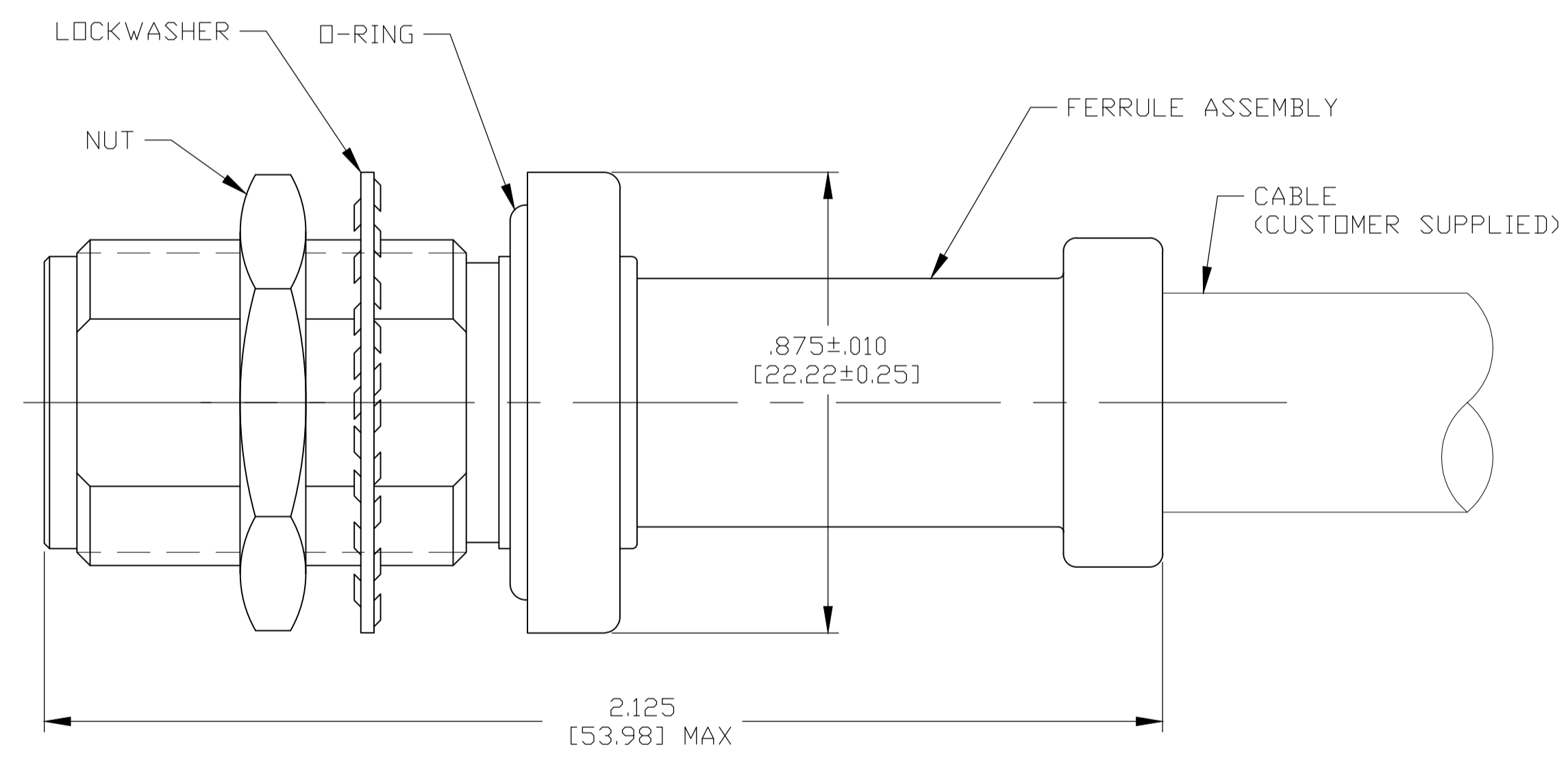
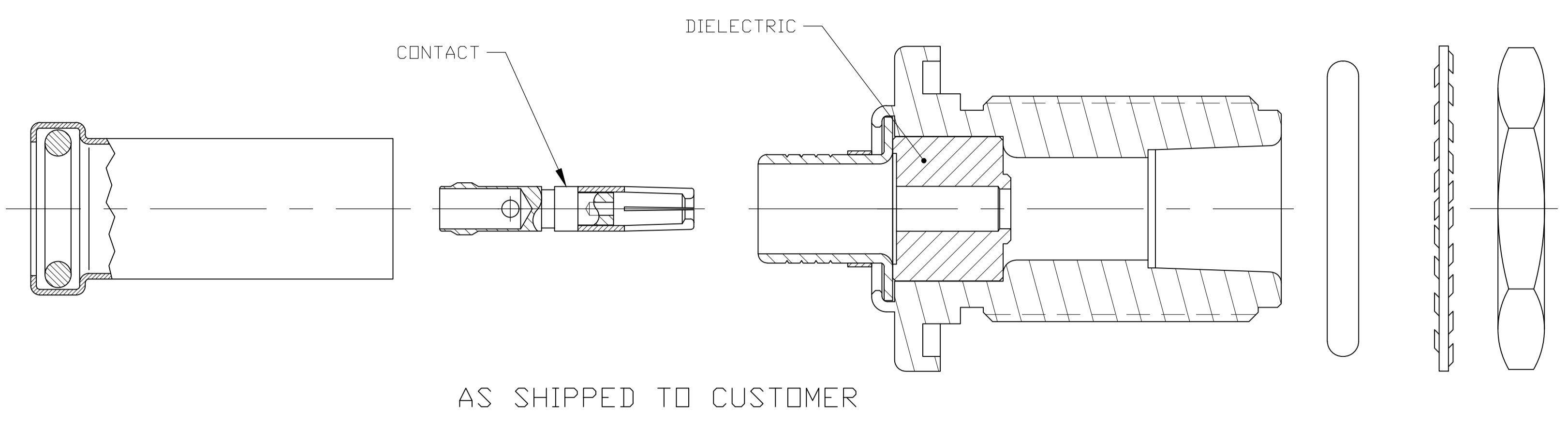
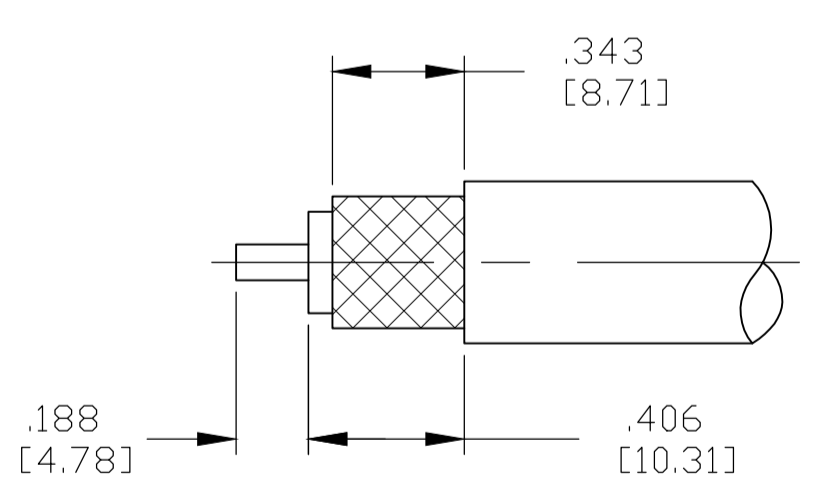


REVISIONS					
REV	BY	DESCRIPTION	DATE	APP'D	REV
C	REV PER ECO	18-016054	10-22-08	PR	

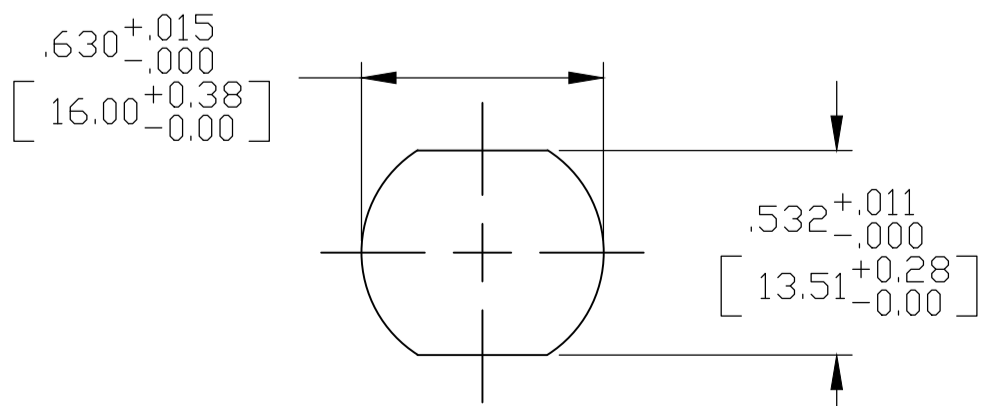
COMPONENT	MATERIAL	FINISH
FERRULE ASSY JACK SHELL NUT	BRASS PER ASTM-B-16	SILVER PER ASTM-B-700
DIELECTRIC	TEFLON PER ASTM-D-1710	--
CENTER CONTACT	BERYLLIUM COPPER PER ASTM-B-196	GOLD PLATED PER ASTM-B-488
LOCKWASHER	PHOS BRONZE PER ASTM-B-103	SILVER PER ASTM-B-700
O-RING	SILICONE PER ZZ-R-765	--



ASSEMBLED VIEW



RECOMMENDED STRIP LENGTH
SCALE 2:1



RECOMMENDED
PANEL CUTOUT
SCALE 2:1

RAYCHEM 5012H3012	90740-1	1996332-1
CABLE SIZE	CRIMP TOOL	PART NO.

THIS DRAWING IS A CONTROLLED DOCUMENT.		DWG C.C.THOMAS 11-16-07	RAYCHEM 5012H3012	
DIMENSIONS: INCHES		CHK W.MOYER 11-16-07	90740-1	
TOLERANCES UNLESS OTHERWISE SPECIFIED:		APP'D W.MOYER 11-16-07	1996332-1	
0. PLC ± -		NAME JACK, BULKHEAD, WEATHERPROOF, SERIES N		
1. PLC ± -		APPLICATION SPEC		
2. PLC ± -		I.S. 2028-3		
3. PLC ± -		SIZE A1		
4. PLC ± -		WEIGHT 0		
ANGLES ± -		SCALE 4:1		
MATERIAL		FINISH		RESTRICTED TO
-		-		1 OF 1
-		-		REV C

X-ON Electronics

Largest Supplier of Electrical and Electronic Components

Click to view similar products for [RF Connectors / Coaxial Connectors](#) category:

Click to view products by [TE Connectivity](#) manufacturer:

Other Similar products are found below :

[8915-1511-000](#) [89674-0827](#) [6001-7071-019](#) [6002-7051-003](#) [6002-7551-202](#) [6059674-1](#) [619550-1](#) [630059-000](#) [M39030/3-01N](#) [6500-7071-046](#) [6769](#) [CX050L2AQ](#) [7002-1541-010](#) [7002-1542-011](#) [7004-1512-000](#) [7009-1511-004](#) [7010-1511-000](#) [7029-1511-060](#) [7101-1541-010](#) [7101-1571-002](#) [7105-1521-002](#) [7145-1521-002](#) [7203-1571-003](#) [7209-1511-011](#) [7210-1511-015](#) [7210-1511-019](#) [73137-5015](#) [73216-2241](#) [73404-2300](#) [7405-1521-005](#) [7405-1521-802](#) [8527](#) [8547](#) [FS11V](#) [877931](#) [8808-1511-001](#) [9074-9513-000](#) [9101-9573-002](#) [910A205F](#) [9130-9573-002](#) [PL11SC-026](#) [PL375-33](#) [PL40-5](#) [PL74C-221](#) [PL75MC-217](#) [PL803-7](#) [1200690078](#) [1-201144-1](#) [R107003010W](#) [R110A172100](#)