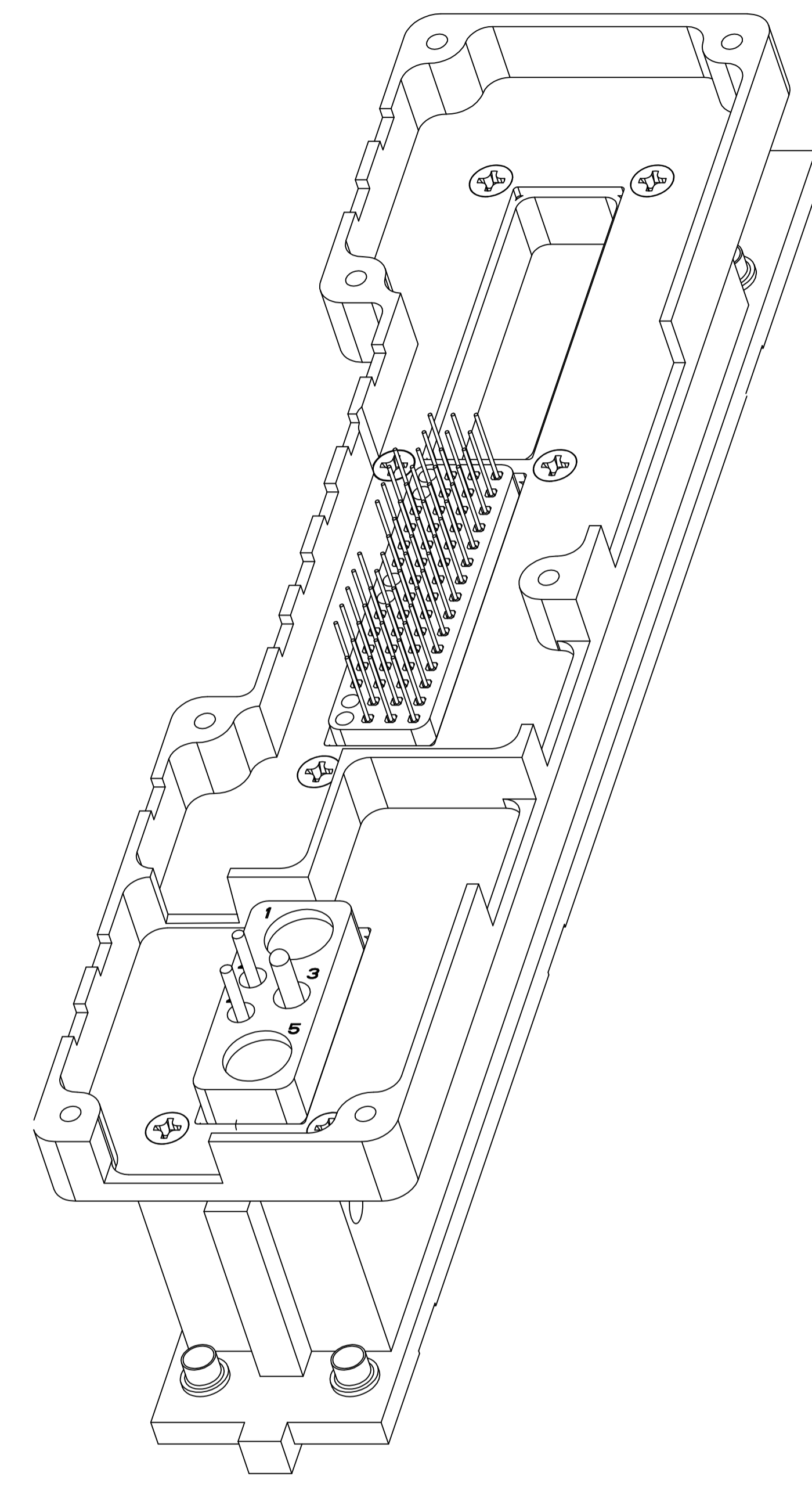
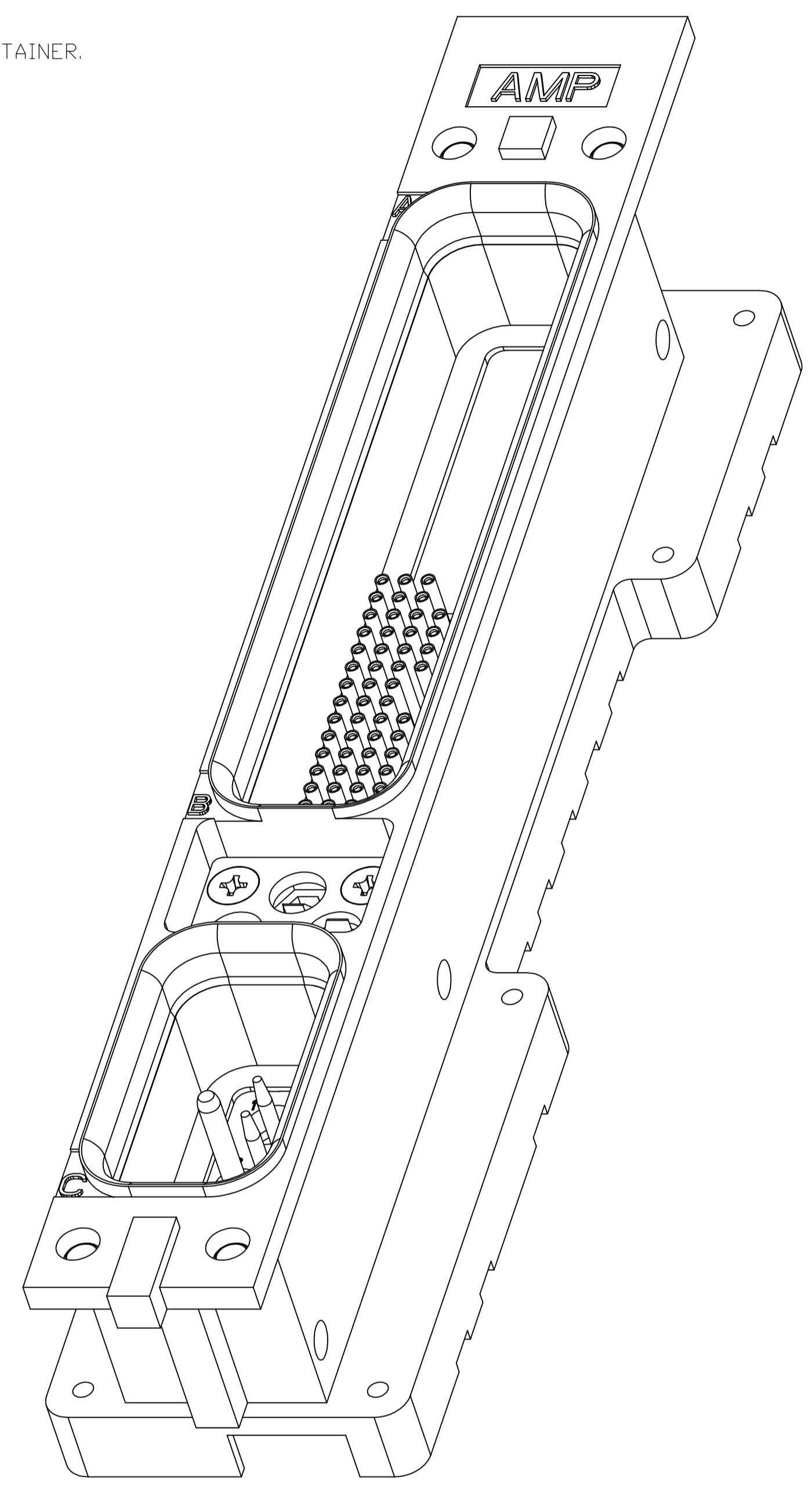


LOC		DIST		REVISIONS			
P	LTR	DESCRIPTION	DATE	DN	APVD		
G		REV PER ECO-11-020193	10NOV11	PY	WB		

1. CONNECTOR DIMENSIONS ARE PER ARINC 600 SPECIFICATION UNLESS OTHERWISE SPECIFIED.
2. CONNECTOR IS SUPPLIED WITH CONTACTS (PER TABLE) ASSEMBLED AS SHOWN.
3. KEYING SHOWN IN POSITION FOR ILLUSTRATION ONLY. CONNECTORS SHIPPED WITH KEYING INSTALLED IN POSITION PER TABLE.
4. DUST COVER INSTALLED FOR SHIPPING.
5. WITH CONTACT FULLY SEATED IN CAVITY.
6. TE PART NO 208264-2 (QTY = 6) SUPPLIED WITH CONNECTOR IN A SEPARATE CONTAINER.
7. THIS DIMENSION IS MEASURED TO THE BACK OF THE SHELL NOT THE HIRF.



COMPONENT	MATERIAL	FINISH
SHELL	DIE CAST ALUMINUM PER ASTM-B-85	ELECTROLESS NICKEL PER MIL-C-26074
HIRF RETENTION PLATE	ALUMINUM ALLOY 6061-T6	ELECTROLESS NICKEL PER QQ-N-290 .0006 MIN OVER CU .0002
SCREWS AND LOCK WASHERS	STEEL	ZINC PLATED OVER SUPPLEMENTAL CHROMATE
POLARIZING KEYS	ZINC ALLOY PER ASTM-B-86	-
POLARIZING KEY RETAINING PLATE	ALUMINUM ALLOY PER ASTM-B-209	BLUE ANODIZED PER MIL-A-8625
60 & 5C2 INSERTS	THERMOSET	-
BLANK INSERT	ALUMINUM ALLOY PER ASTM-B-209	ELECTROLESS NICKEL PER MIL-C-26074

"05"	HIRF P/N: 1996895-1; HONEYWELL P/N: 047-50659-0501 MODULE A: BLANK MODULE B: SZ 22 POSTED PIN CONTACT: TE P/N 1-211431-8 (QTY=54) LOADED IN ALL POSITIONS EXCEPT: D1,D2,D7,D8,D14 & D15 MODULE C: SZ 16 POSTED PIN CONTACT: TE P/N 3-448139-3 (QTY=2) LOADED IN POSITION #2 & 4 SZ 12 POSTED PIN CONTACT: TE P/N 2-448140-2 (QTY=1) LOADED IN POSITION #3 SZ 5 SEALING PLUG: TE P/N 205975-1 (QTY=2) LOADED IN POSITION #1 & 5	1996504-1
	CONTACTS & SEALING PLUGS INCLUDED AND INSTALLED	PART NUMBER

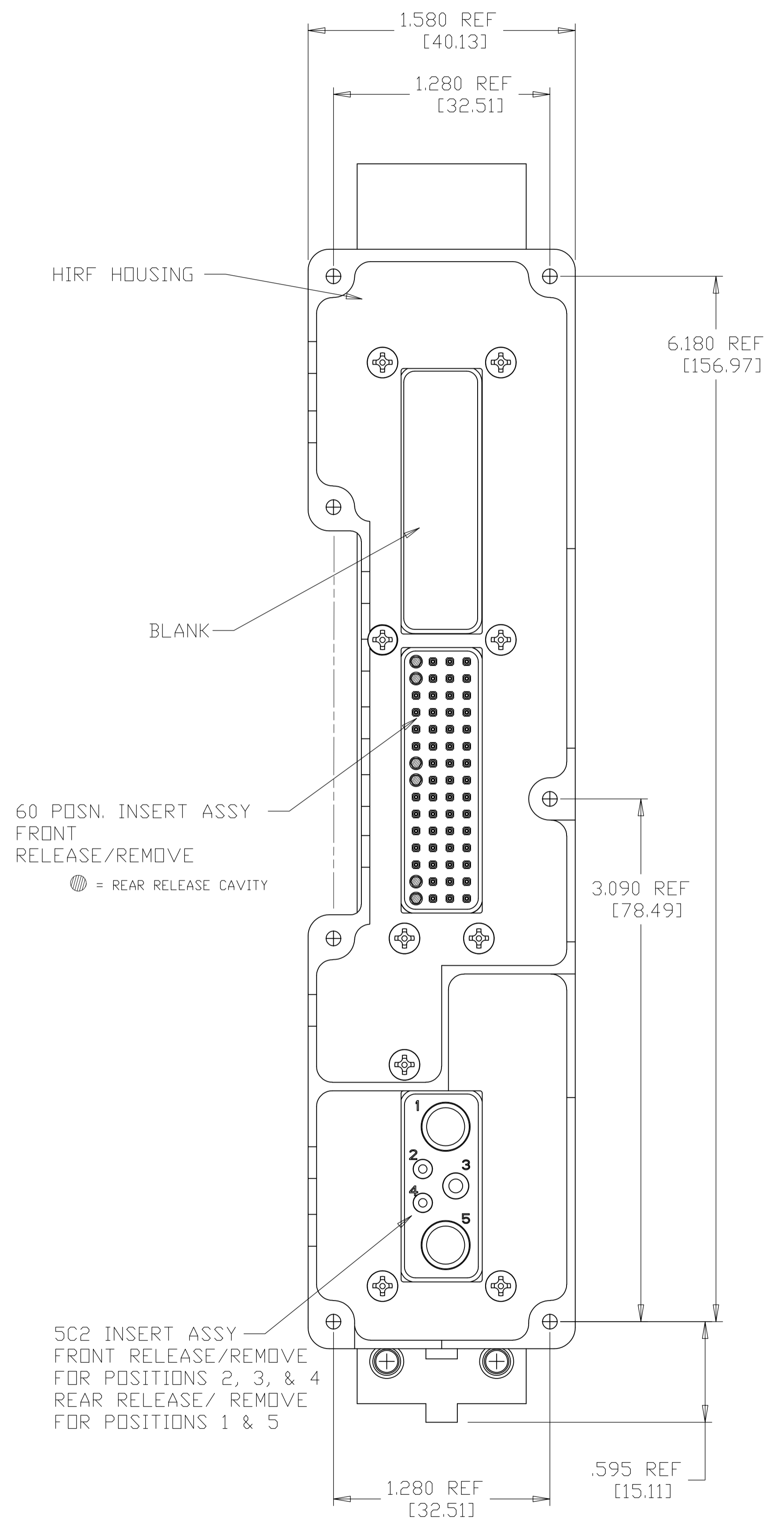
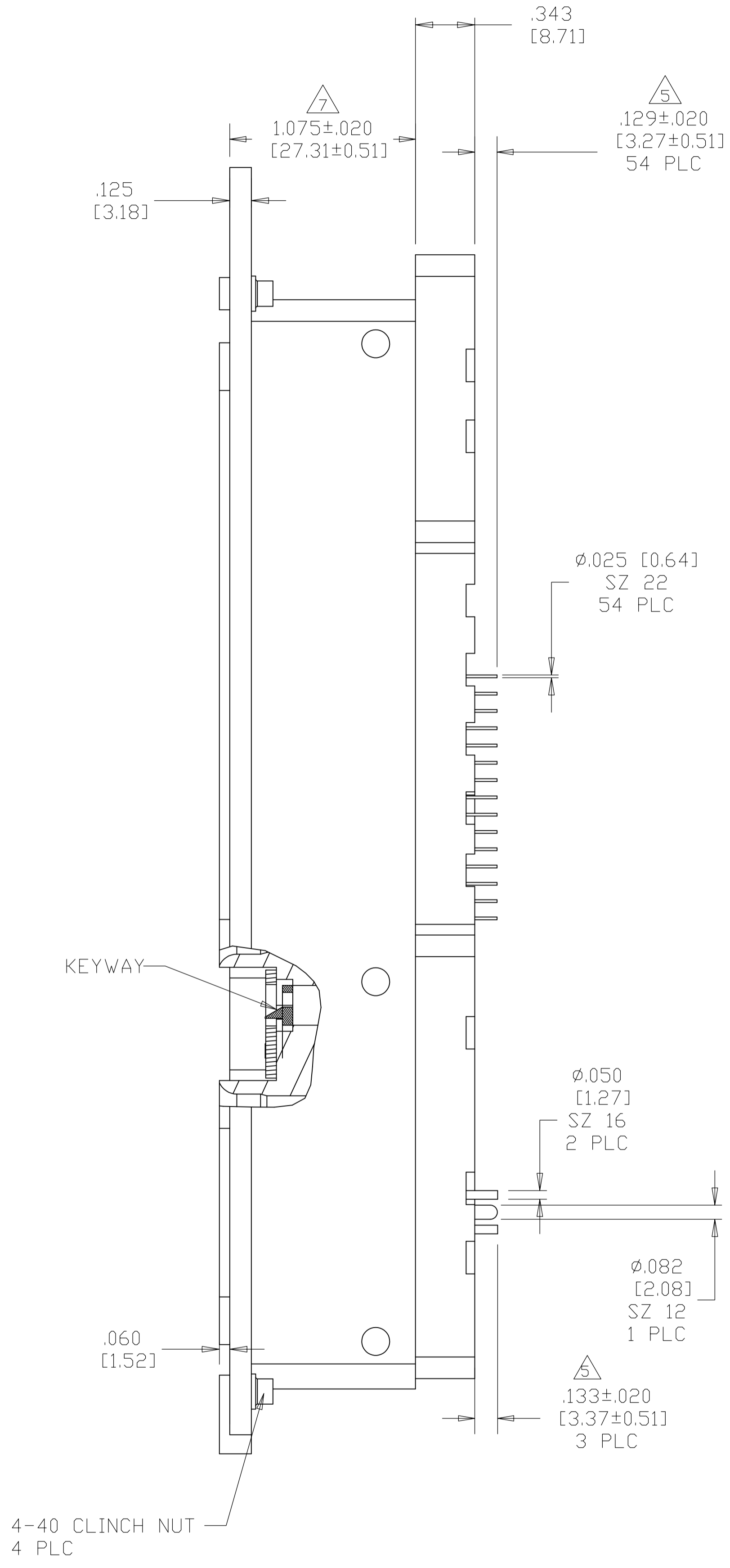
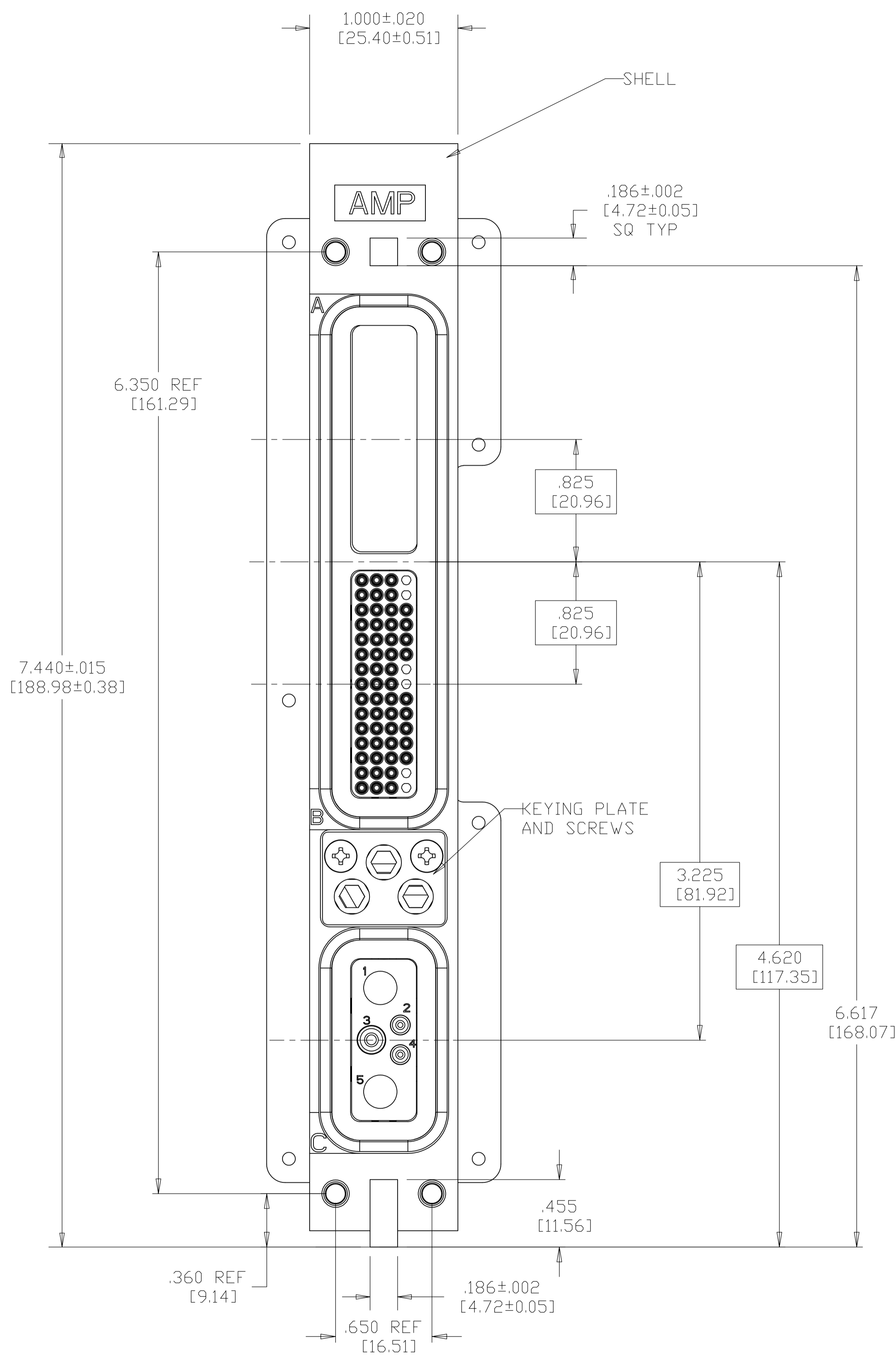
THIS DRAWING IS A CONTROLLED DOCUMENT.

DIMENSIONS: INCHES [mm]	TOLERANCES UNLESS OTHERWISE SPECIFIED:	0 PLC ± .010	1 PLC ± .005	2 PLC ± .005	3 PLC ± .005	4 PLC ± .005	ANGLES ± .010
MATERIAL SEE TABLE		FINISH SEE TABLE		WEIGHT	—	SIZE	A1

APPROVED: K. THACKSTON
DATE: 10-13-08
NAME: K. THACKSTON
PRODUCT SPEC: RECEPTACLE ASSY, SIZE 1, ARINC 600 (BLANK/60spcl/5C2)
APPLICATION SPEC: —
SCALE: 3:2
SHEET: 1 OF 2
REV: G

STE TE Connectivity
CAGE CODE: 00779
DRAWING NO: 1996504
CUSTOMER DRAWING

LOC		DIST		REVISIONS			
F	LTR	DESCRIPTION	DATE	DN	APVD		
-	-	SEE SHEET 1	-	-	-	-	-



THIS DRAWING IS A CONTROLLED DOCUMENT.		DN C.C.THOMAS 10-13-08	TE Connectivity	
DIMENSIONS: INCHES [mm]		CHK K.THACKSTON 10-13-08		
TOLERANCES UNLESS OTHERWISE SPECIFIED:		NAME K.THACKSTON	RECEPTACLE ASSY, SIZE 1, ARINC 600 (BLANK/60spcl/5C2)	
0 PLC ± -	APVD	PRODUCT SPEC	APPLICATION SPEC	
1 PLC ± -			SIZE	
2 PLC ± -			CAGE CODE	
3 PLC ± -			DRAWING NO	
4 PLC ± -			RESTRICTED TO	
ANGLES ± -			WEIGHT	
			A1 00779 C=1996504	
MATERIAL	FINISH		CUSTOMER DRAWING	
			SCALE 3:2 SHEET 2 OF 2 REV G	

X-ON Electronics

Largest Supplier of Electrical and Electronic Components

Click to view similar products for [Rack & Panel Connectors](#) category:

Click to view products by [TE Connectivity](#) manufacturer:

Other Similar products are found below :

[00171410002](#) [00171420202](#) [00171440002](#) [02-014-013-5200-000](#) [613467-000](#) [CTJ112E01E-513](#) [CTJ116E03A-513](#) [66020-2](#) [CW8958-000](#)
[699886-000](#) [D250-50632](#) [70.400.3240.0](#) [70.955.2453.3](#) [733753-000](#) [F22831-000](#) [780-522-DPX34RG8-02](#) [8660-501](#) [87.060.0053.0](#)
[900709N001](#) [928358-1](#) [D-659-0061](#) [1-445717-6](#) [1484469-2](#) [1604997-2](#) [MTC100-BF1-P31CS015](#) [MTC100-KT2-0083](#) [MTC100-KT2-0123-](#)
[003](#) [MTC100-YA1-005](#) [MTCQKT1R2PGCA](#) [MTCR-103-04S](#) [MTCX1X-100-100CS025](#) [1738331-1](#) [1757667-1](#) [1811481-1](#) [1883433-1](#)
[201046-7](#) [202648-4](#) [205269-1](#) [213364-1](#) [226503-000](#) [937028-164](#) [1663130-2](#) [172305-4](#) [AC-660022-701BP](#) [F36711-000](#) [202355-2](#) [202356-](#)
[2](#) [G16S-A](#) [G20S-AB](#) [CHA-0017-003](#)