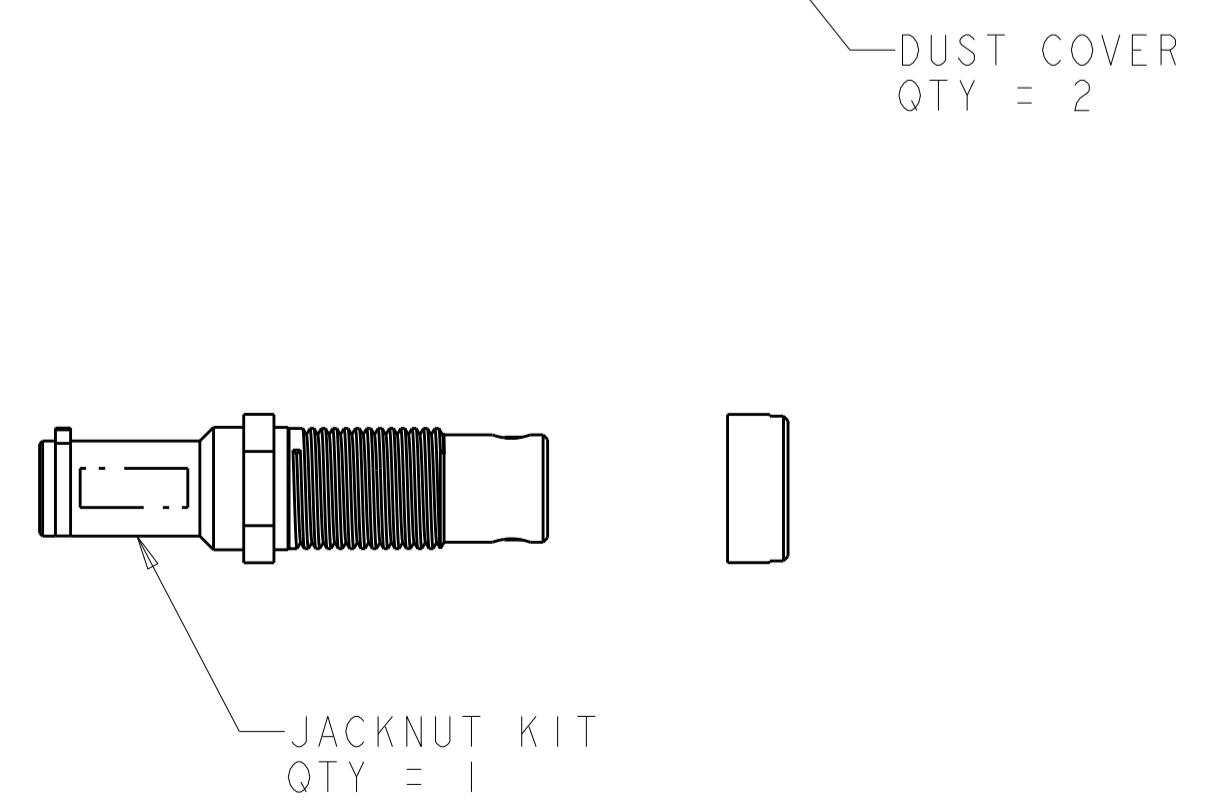
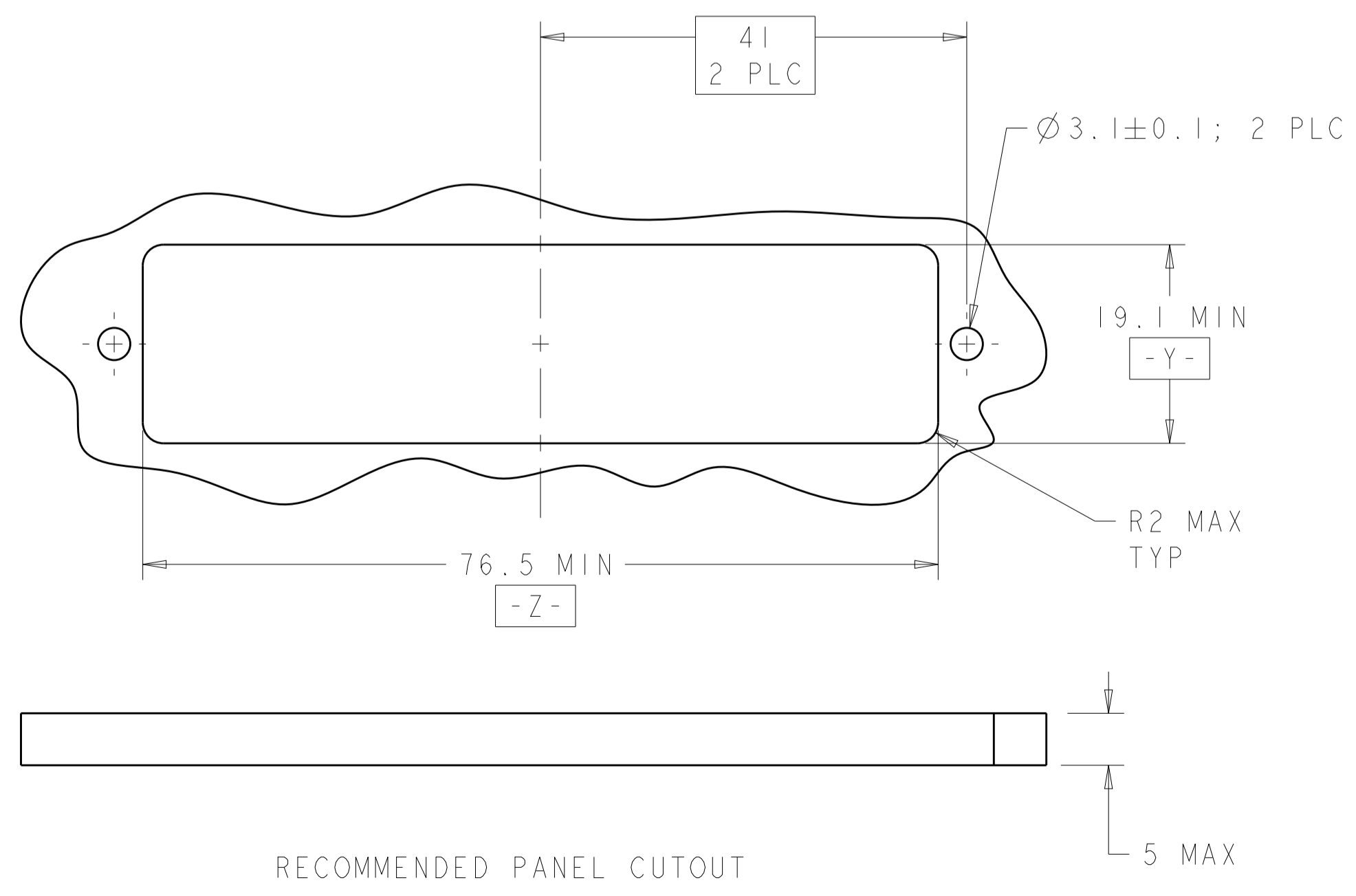
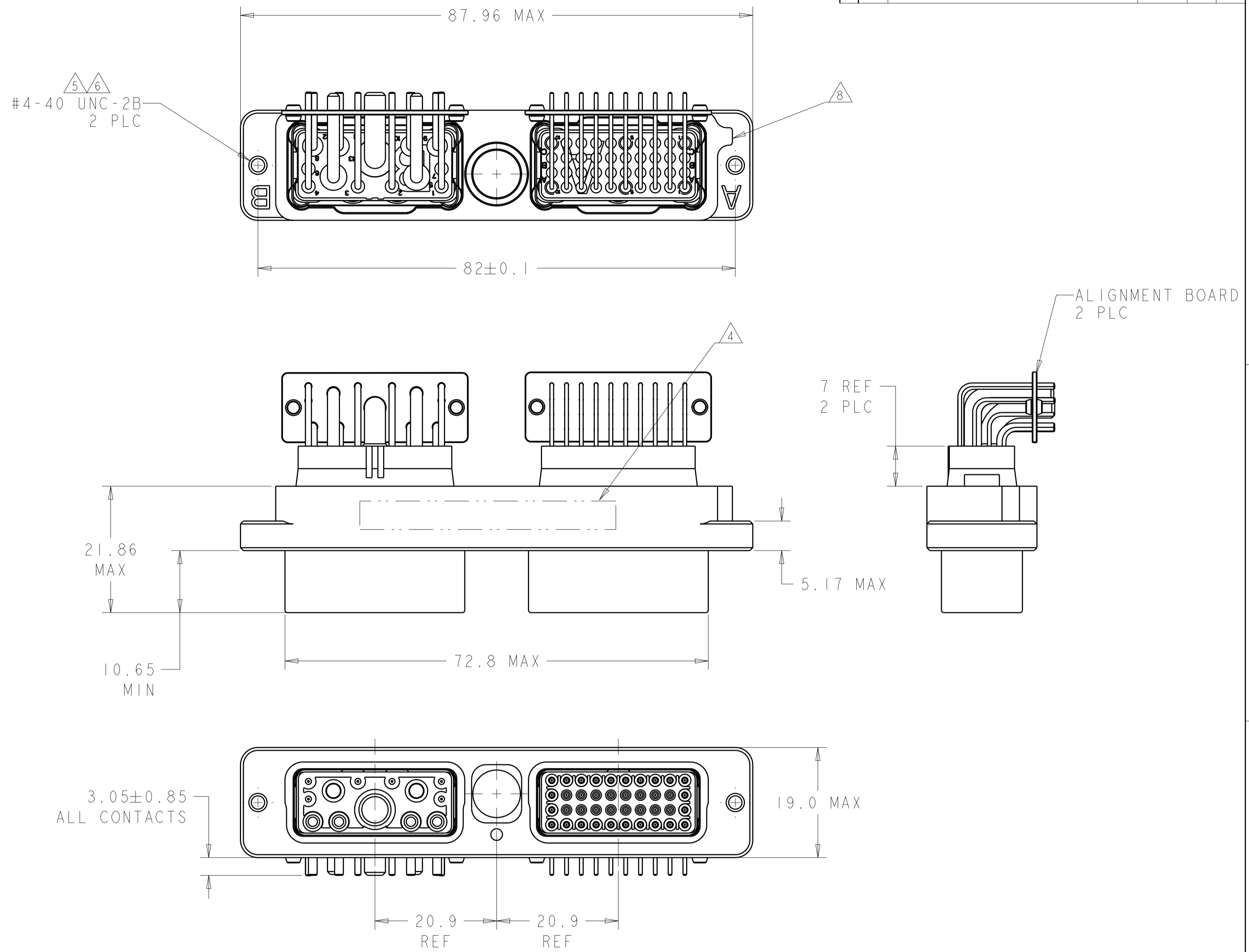


LOC	DIST	REV	DATE	BY	CHK	APPV
-	-	D	1-28-13	CT	KH	

1. THIS PLUG CONNECTOR KIT CONSIST OF THE FOLLOWING ITEMS, WHICH ARE ALSO AVAILABLE SEPARATELY.
- 1738254-1 PLUG SHELL ASSEMBLY
 - 1738203-1 JACKNUT KIT, A-F (ASSEMBLED PER TABLE)
 - 1738186-1 INSERT ASSEMBLY, ARR 40P, KEY A, INSTALLED
 - 1-1954122-5; SIZE 22 PIN CONTACT, RT ANGLE; QTY = 10; INSTALLED (ROW D)
 - 1-1954122-6; SIZE 22 PIN CONTACT, RT ANGLE; QTY = 10; INSTALLED (ROW C)
 - 1-1954122-7; SIZE 22 PIN CONTACT, RT ANGLE; QTY = 10; INSTALLED (ROW B)
 - 1-1954122-8; SIZE 22 PIN CONTACT, RT ANGLE; QTY = 10; INSTALLED (ROW A)
 - 1954332-1 INSERT ASSEMBLY, ARR 13PI, KEY B, INSTALLED
 - 2000591-6; SIZE 12 PIN CONTACT, RT ANGLE; QTY = 2; INSTALLED
 - 1996787-2; SIZE 16 PIN CONTACT, RT ANGLE; QTY = 4; INSTALLED
 - 1-1954186-2; SIZE 20 PIN CONTACT, RT ANGLE LONG LEG; QTY = 4; INSTALLED
 - 1-1954186-0; SIZE 20 PIN CONTACT, RT ANGLE SHORT LEG; QTY = 2; INSTALLED
 - 1738712-4 SIZE 5 PIN CONTACT, RT ANGLE; QTY = 1; INSTALLED
 - 1738211-1 DUST COVER; QTY = 2; INSTALLED

- △ SHELL ASSEMBLY MAT'L:
SHELL: ALUMINUM ALLOY 6061 T651 PER AMS-QQ-A-250
INSERT RETENTION CLIP: COPPER ALLOY PER ASTM B194
PROTECTIVE COVER: ANTI-STATIC THERMOPLASTIC ELASTOMER PER ASTM D5593.
- INSERT ASSEMBLY MAT'L:
FRONT & REAR INSULATORS: HIGH-TEMP THERMOPLASTIC OR THERMOSET EPOXY PER ASTM D5948
CONTACT RETENTION CLIPS: STAINLESS STEEL PER AISI 302 OR COPPER ALLOY PER ASTM B194
INTERFACIAL SEAL & GROMMET: FLUROSILICONE ELASTOMER PER MIL-R-25988 B EXCEPT 4.6.6.1
ALIGNMENT BOARDS: HIGH-TEMP THERMOPLASTIC
- CONTACT MAT'L: COPPER ALLOY
- △ SHELL: ELECTROLYTIC NICKEL PER SAE AMS QQ-N-290 OVER ELECTROLESS NICKEL PER SAE AMS-2404, CLASS 3.
- CONTACT FINISH: 1.27µm MIN GOLD PER ASTM B488 OVER 2.54µm MIN NICKEL PER QQ-N-290 ON ENTIRE CONTACT
- △ TE LOGO, TE PART NO, DATE CODE - YEAR & WEEK (YY - WW) MARKED IN THIS AREA
- △ 4-40 SCREWS ARE REQUIRED FOR PANEL MOUNTING (NOT INCLUDED).
SCREW HEAD DIAMETER: 6mm MAX
RECOMMENDED TORQUE: 1.1 N-m [10 lb_in] MIN
- △ 4-40 THREADED HOLES ARE SELF-LOCKING, HAVING THE SPIRALOCK® THREAD FORM. SPIRALOCK® IS A REGISTERED TRADEMARK OF SPIRALOCK CORPORATION.
- 7. THIS PRODUCT IS SOLD BY TYCO ELECTRONICS UNDER A LICENSE FROM RADIALL SA.
- △ POLARIZATION FEATURE TO PREVENT FRONT PANEL MOUNTING.
- 9. PITCH FOR SIDE-BY-SIDE MOUNTING: 19.50mm MIN.
- 10. DUST COVERS INSTALLED BEFORE SHIPPING.
- 11. JACKNUT KIT (IF NOT ASSEMBLED) PACKAGED SEPARATELY AND SHIPPED WITH CONNECTOR.



DESCRIPTION	PART NUMBER
WITH CONTACTS (INSTALLED) WITH JACK NUT (INSTALLED IN "E")	1996725-3
WITH CONTACTS (INSTALLED) WITH JACK NUT (INSTALLED IN "B")	1996725-2
WITH CONTACTS (INSTALLED) WITH JACK NUT A-F (NOT INSTALLED)	1996725-1

THIS DRAWING IS A CONTROLLED DOCUMENT.		OWN: C.C. THOMAS 7-27-09	TE Connectivity	
DIMENSIONS: mm		CHK: K. HOGAN 7-27-09	NAME: GPRB2 PLUG, 40/13p1 WITH RIGHT ANGLE CONTACTS	
TOLERANCES UNLESS OTHERWISE SPECIFIED:		APPV: K. HOGAN 7-27-09	SIZE: A1	
0 PLC ±	1 PLC ±0.2	PRODUCT SPEC	CAGE CODE: 1996725	
2 PLC ±	3 PLC ±	APPLICATION SPEC	SHEET 1 OF 1	
4 PLC ±	ANGLES ±	WEIGHT	REV D	
MATERIAL: △	FINISH: △	CUSTOMER DRAWING	SCALE: 2:1	

X-ON Electronics

Largest Supplier of Electrical and Electronic Components

Click to view similar products for [Rectangular MIL Spec Connectors](#) category:

Click to view products by [TE Connectivity](#) manufacturer:

Other Similar products are found below :

[891-011-15SA2-BSST](#) [CTS-S16/16](#) [65002-062](#) [CY4602-000](#) [732-8020-01](#) [77058-22-55PN](#) [81542-20](#) [86.030.0053.0](#) [1241346-1](#) [RM252-020-311-2900](#) [DMC-M 08-16 SA](#) [1589051-4](#) [MSO34MPK1E1](#) [BACC65CAMA](#) [BACC65CP1PN](#) [BACI10BC0816PNBA](#) [HSB-D4S03DM222X](#) [2217548-1](#) [891-006-9PS-BST1T](#) [891-009-15SA2-BRT1T](#) [27963-20T12](#) [SIM2N40NC3](#) [SIM2S100A](#) [1604996-2](#) [SMD25PN90L-4055](#) [1900ND08S1B00A](#) [22628-10-6P-791](#) [RE04-212S](#) [M32139/03-G05SN](#) [CTD160E01F-6148](#) [CTJ112E03B](#) [CTJ122E02D-8000](#) [CTJ-3D-12](#) [CTJ920E06N-513](#) [CTJ920E12N-513](#) [CTL-16-090](#) [RM300-000-581-0000](#) [CY4600-000](#) [CY4601-000](#) [38111-14-15SN](#) [38112-14-15PN](#) [MMA23-0111R1](#) [MMD25-0071P1](#) [33516062020](#) [33526M11-08PE](#) [DMC-M99-01AN](#) [Y59113WE20PNV00300](#) [ZPF000000000106310](#) [105979-31](#) [EN4165M01AD0G0](#)