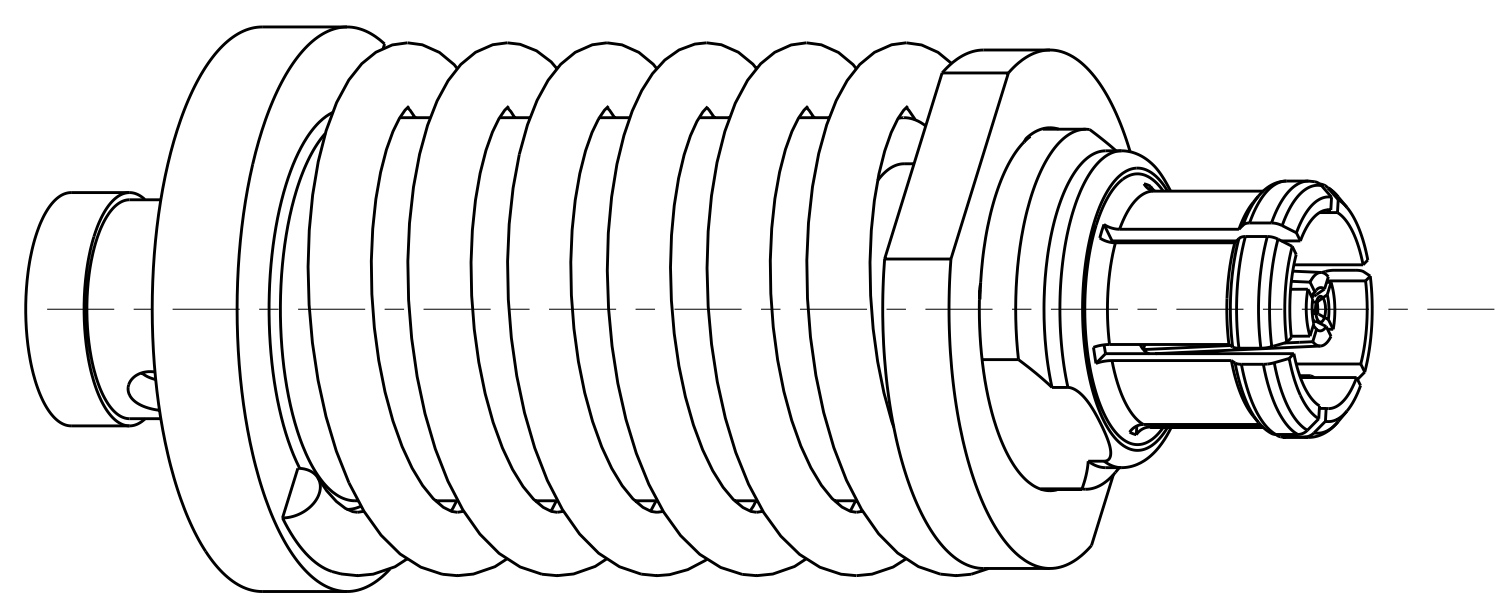


LOC	DIST	REV	DATE	BY	APPD
-	-	H	7-22-11	CT	WM

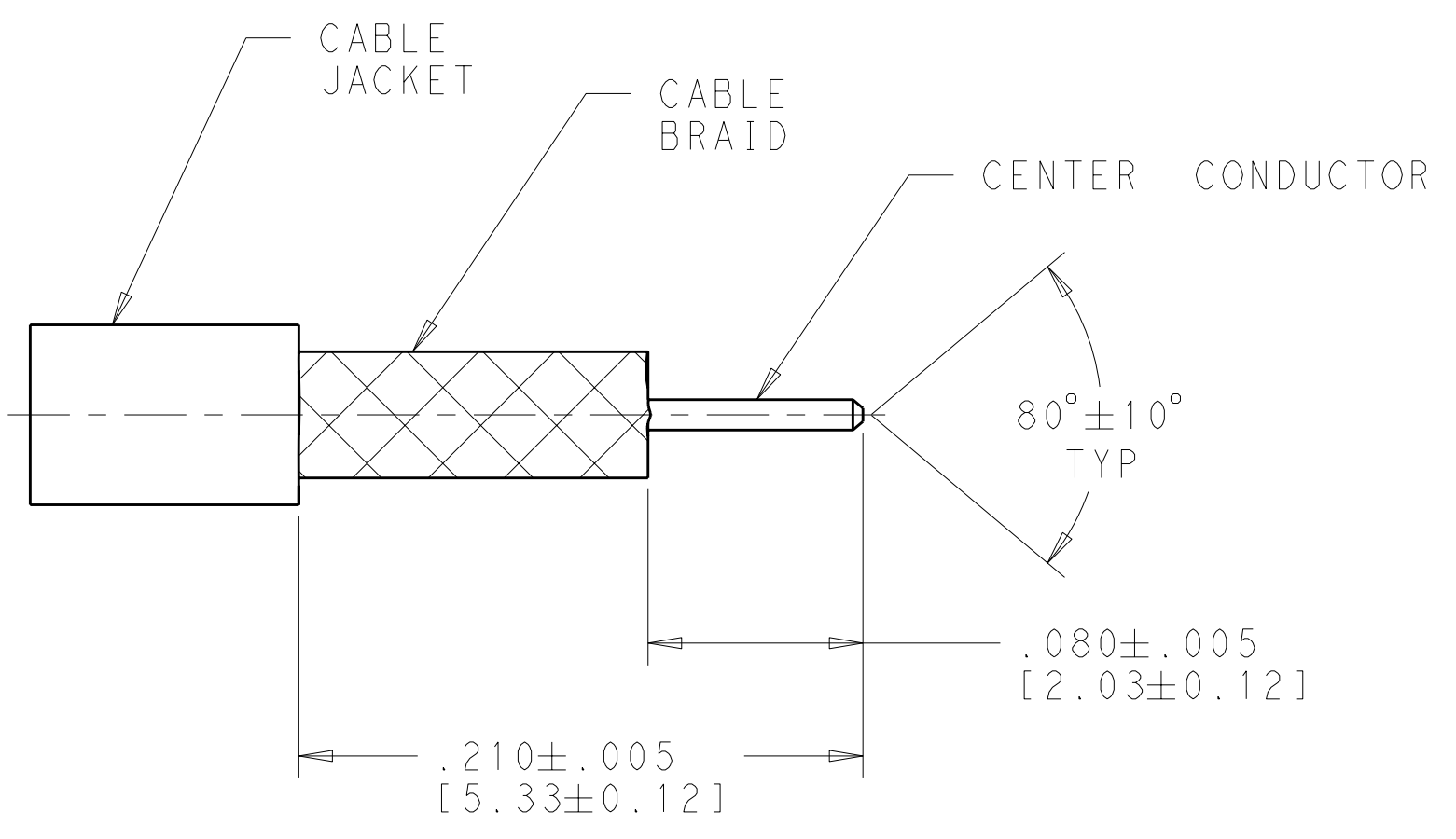
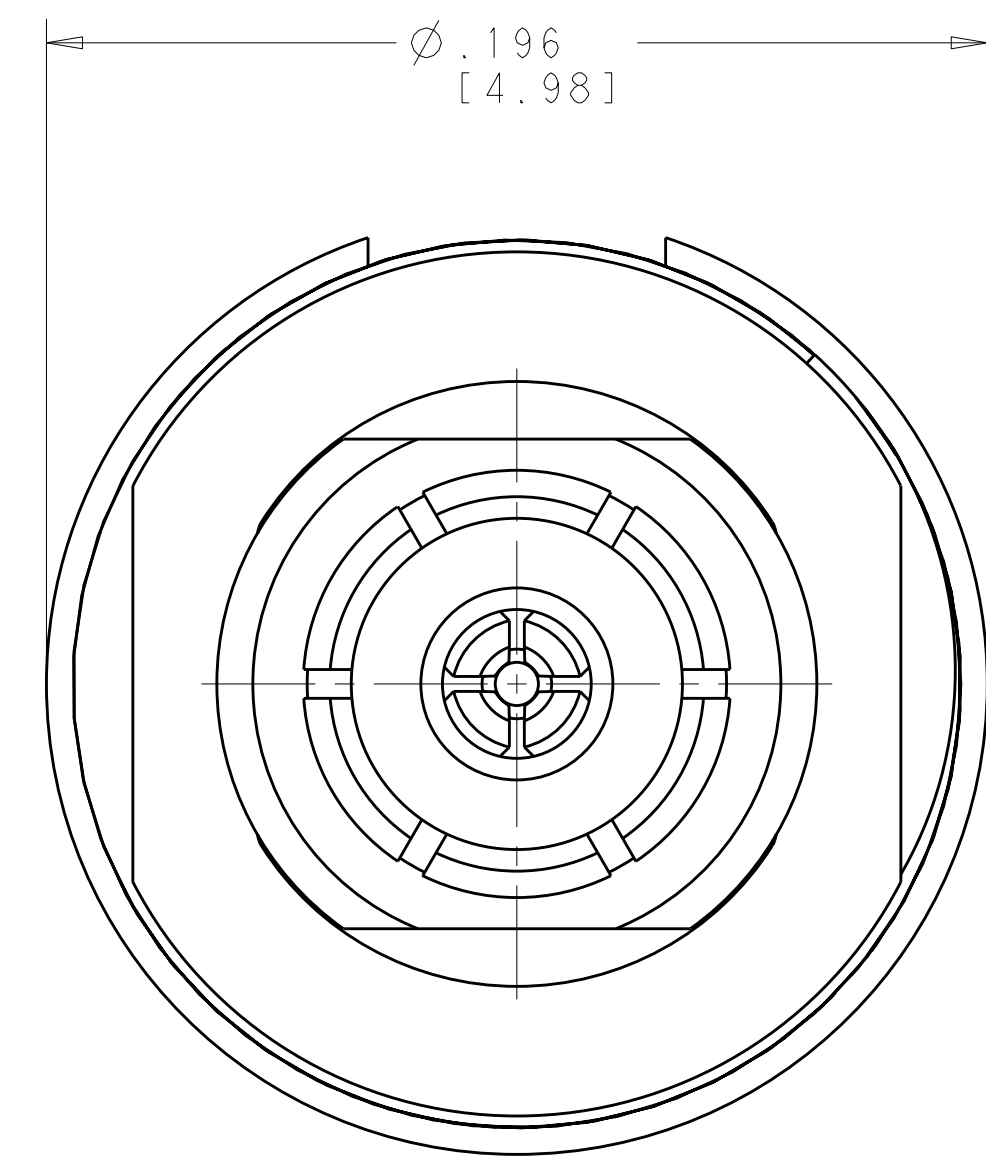
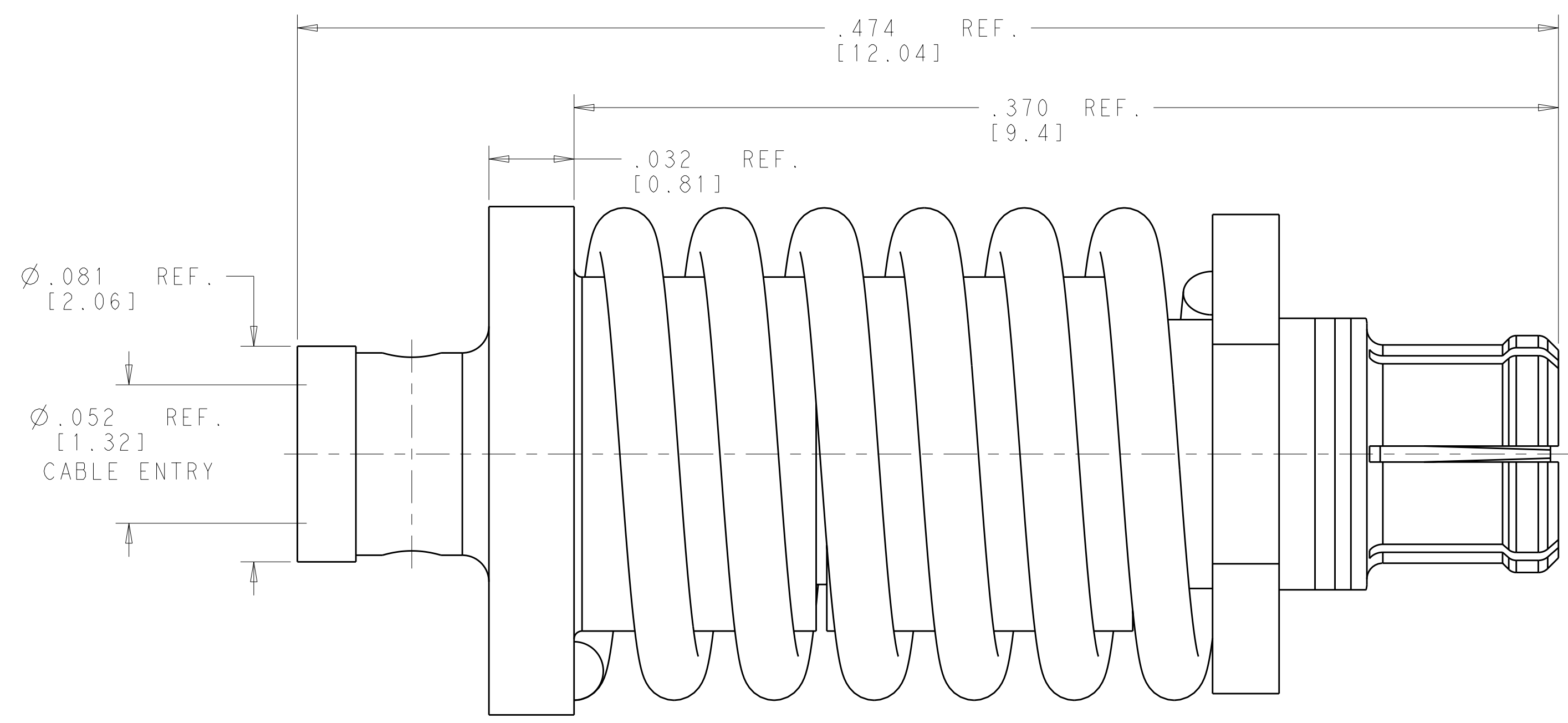
△ MATERIAL:
 BODY & CENTER CONTACT - BERYLIUM COPPER,
 ALLOY UNS C17300 CONDITION T04, PER ASTM B196
 INSULATOR - TEFLON (PTFE) ROD, PER ASTM D 1710
 RETAINING RING - STAINLESS STEEL, PER UNS S30200
 SPRING - MUSIC WIRE, PER ASTM A228

△ FINISH:
 BODY & CENTER CONTACT - GOLD PLATE, PER ASTM B488
 OVER NICKEL PLATE, PER SAE-ASM-QQ-N-290
 RETAINING RING - PASSIVATED
 SPRING - NICKEL PLATED, PER SAE-ASM-QQ-N-290

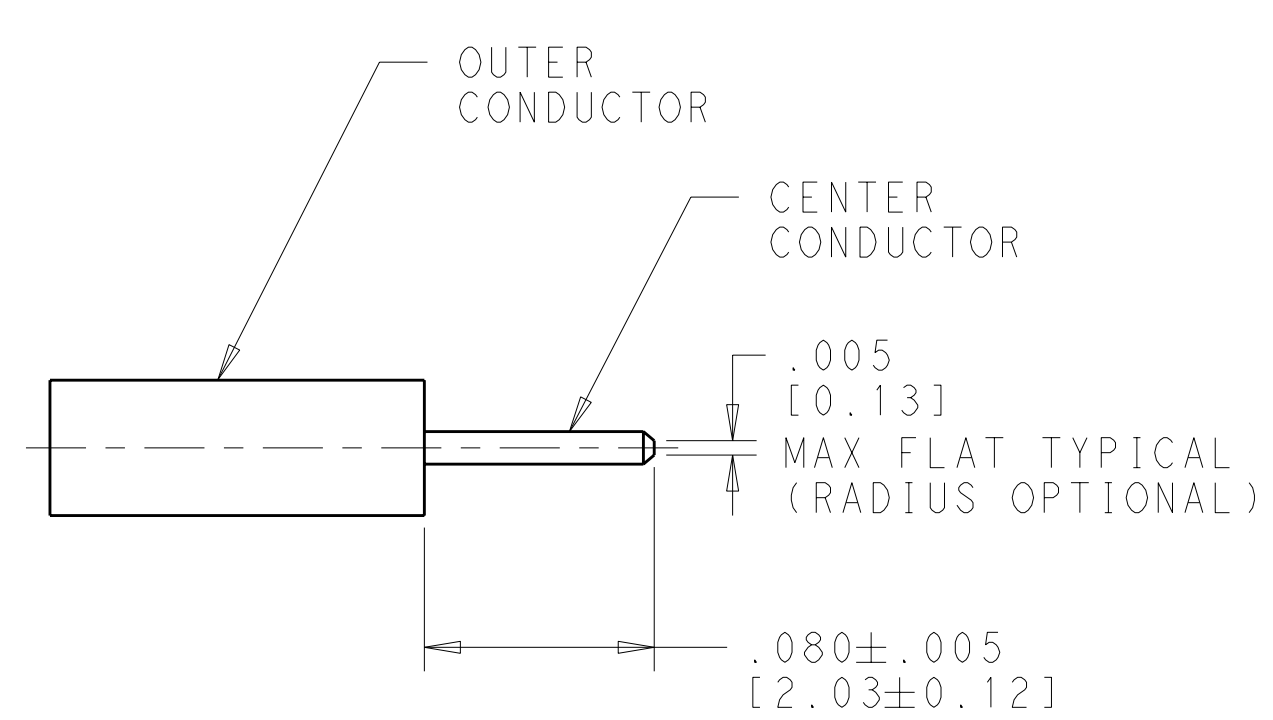
3. SPRING FORCE:
 PRELOAD = 2.35 ± .25 LBF
 FORCE AT .052 DEFLECTION = 3.60 ± .25 LBF
 MINIMUM FULL DEFLECTION = .078 [2.0]



SCALE 15:1



CABLE PREPARATION FOR Ø.047 FLEXIBLE CABLES



CABLE PREPARATION FOR Ø.047 SEMI-RIGID & CONFORMABLE CABLES

1996771-1
 PART NO.

THIS DRAWING IS A CONTROLLED DOCUMENT.		DWN S.T. Morley 20MAY2008	TE Connectivity
DIMENSIONS: INCHES[mm]		CHK S.T. Morley 20MAY2008	
TOLERANCES UNLESS OTHERWISE SPECIFIED:		APVD S.T. Morley 20MAY2008	NAME SMPM STRAIGHT CABLE JACK (F) FLOATING PANEL MOUNT - FOR USE WITH .047 DIA. AND SIMILAR CABLES
9 PLC ± 8 PLC ± 5 PLC ±.005 [0.13] 4 PLC ± ANGLES ±1.0°	FINISH	PRODUCT SPEC	APPLICATION SPEC
MATERIAL	FINISH	SIZE CAGE CODE DRAWING NO	RESTRICTED TO
		408-10373	A100779C=1996771
CUSTOMER DRAWING		SCALE 25:1	SHEET 1 OF 1 REV H

X-ON Electronics

Largest Supplier of Electrical and Electronic Components

Click to view similar products for [RF Connectors / Coaxial Connectors](#) category:

Click to view products by [TE Connectivity](#) manufacturer:

Other Similar products are found below :

[8915-1511-000](#) [89674-0827](#) [6001-7071-019](#) [6002-7051-003](#) [6002-7551-202](#) [6059674-1](#) [619550-1](#) [630059-000](#) [M39030/3-01N](#) [6500-7071-046](#) [6769](#) [CX050L2AQ](#) [7002-1541-010](#) [7002-1542-011](#) [7004-1512-000](#) [7009-1511-004](#) [7010-1511-000](#) [7029-1511-060](#) [7101-1541-010](#) [7101-1571-002](#) [7105-1521-002](#) [7145-1521-002](#) [7203-1571-003](#) [7209-1511-011](#) [7210-1511-015](#) [7210-1511-019](#) [73137-5015](#) [73216-2241](#) [73404-2300](#) [7405-1521-005](#) [7405-1521-802](#) [8527](#) [8547](#) [FS11V](#) [877931](#) [9049-9513-000](#) [9074-9513-000](#) [9101-9573-002](#) [910A205F](#) [9130-9573-002](#) [PL11SC-026](#) [PL375-33](#) [PL40-5](#) [PL74C-221](#) [PL75MC-217](#) [PL803-7](#) [1200690078](#) [1-201144-1](#) [R107003010W](#) [R110A172100](#)