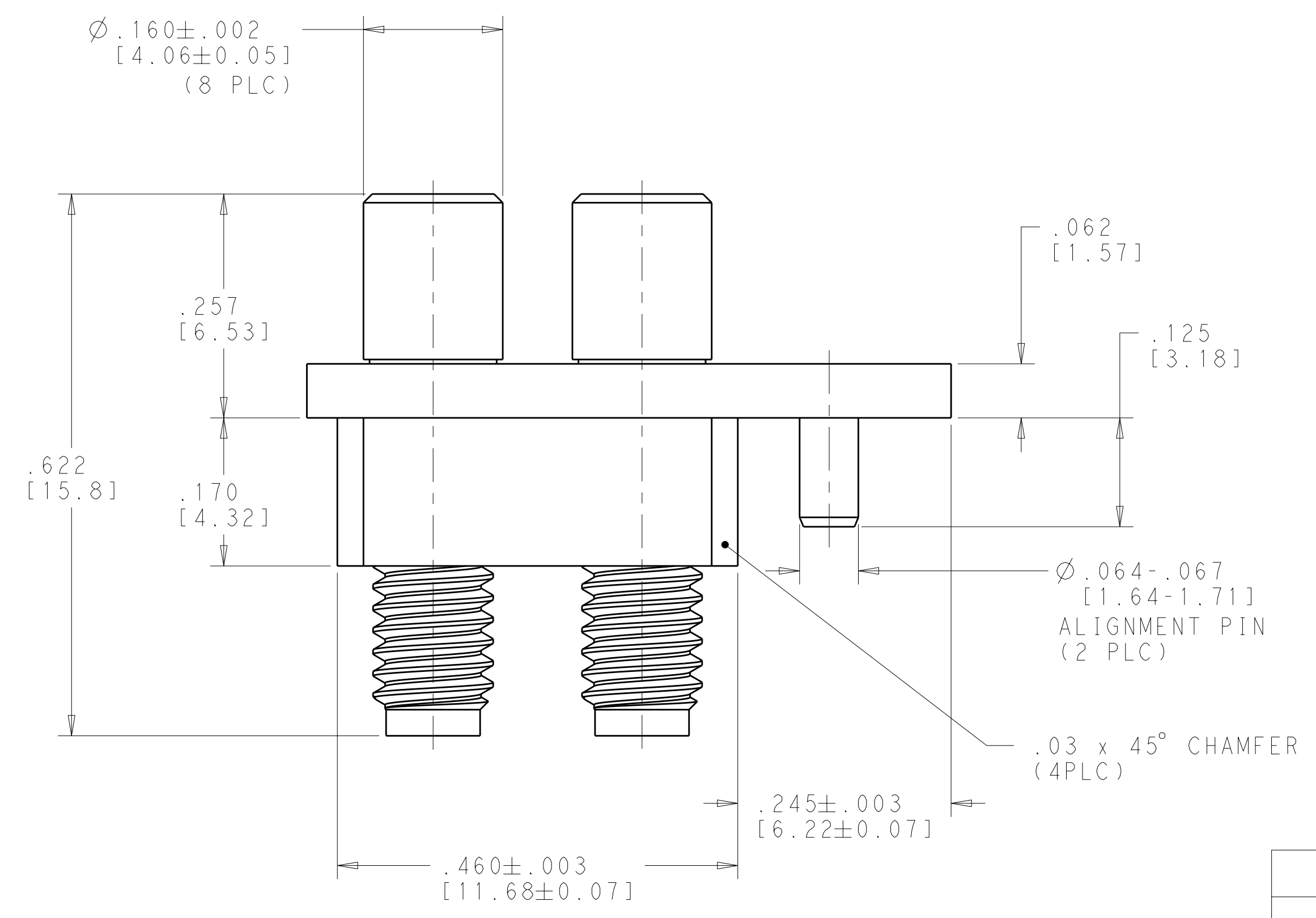
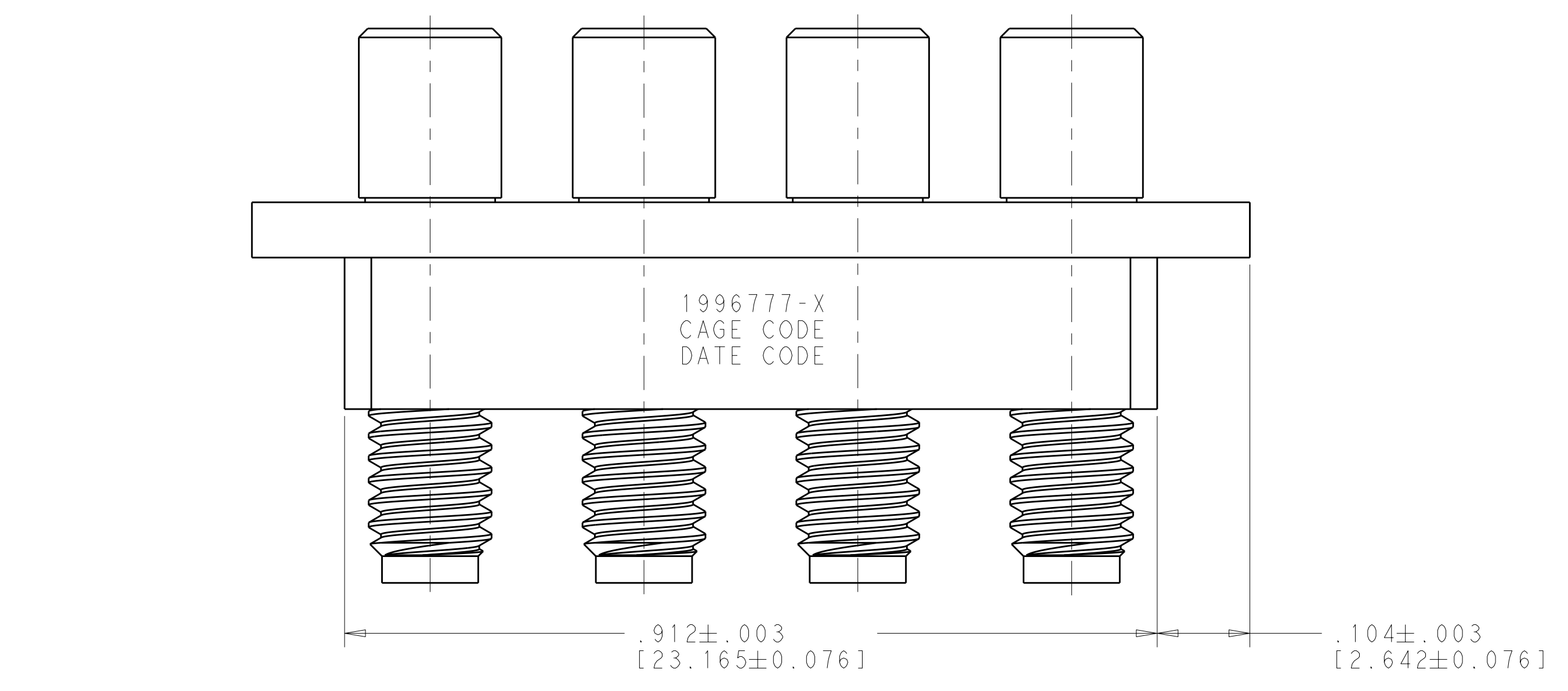
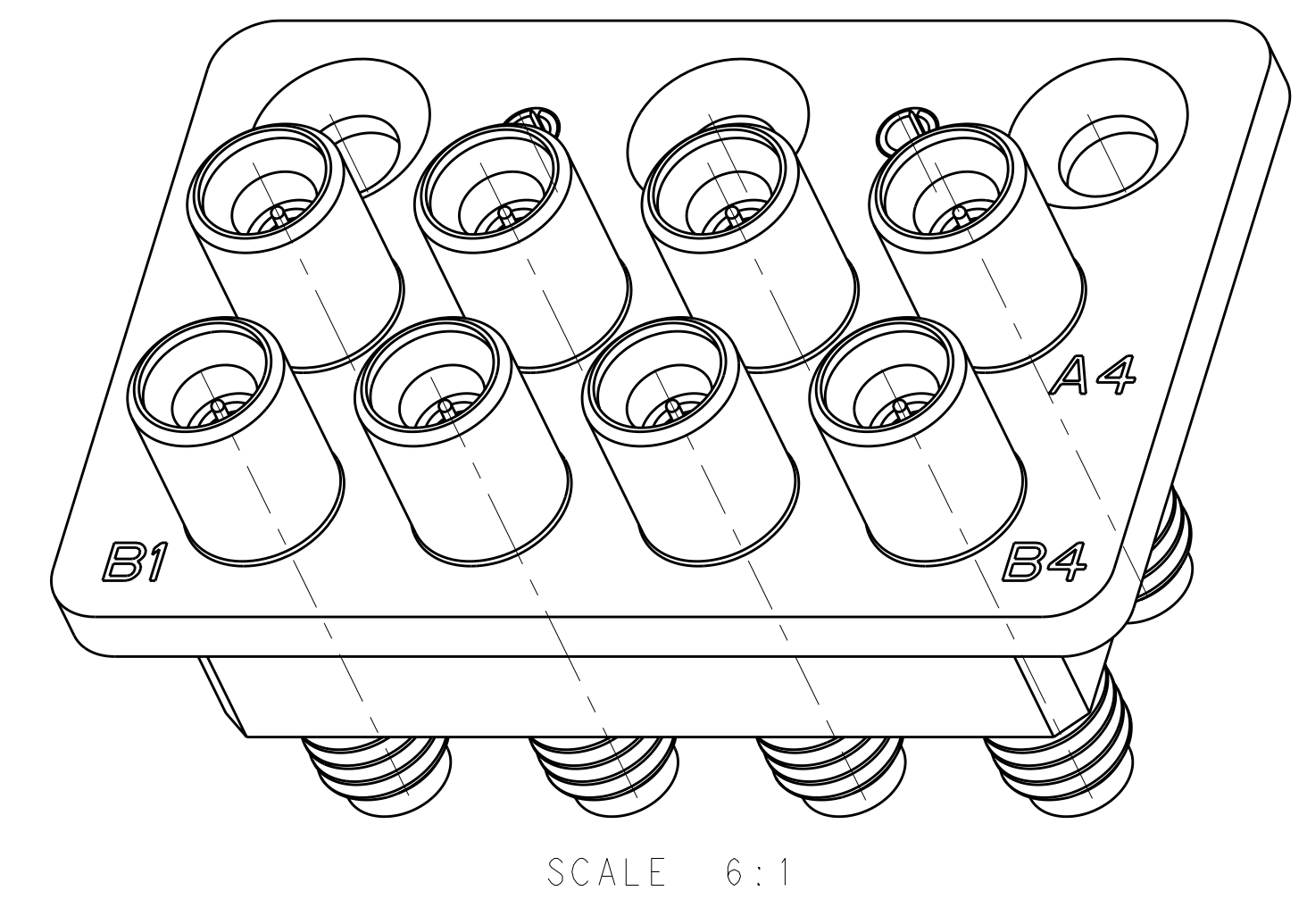
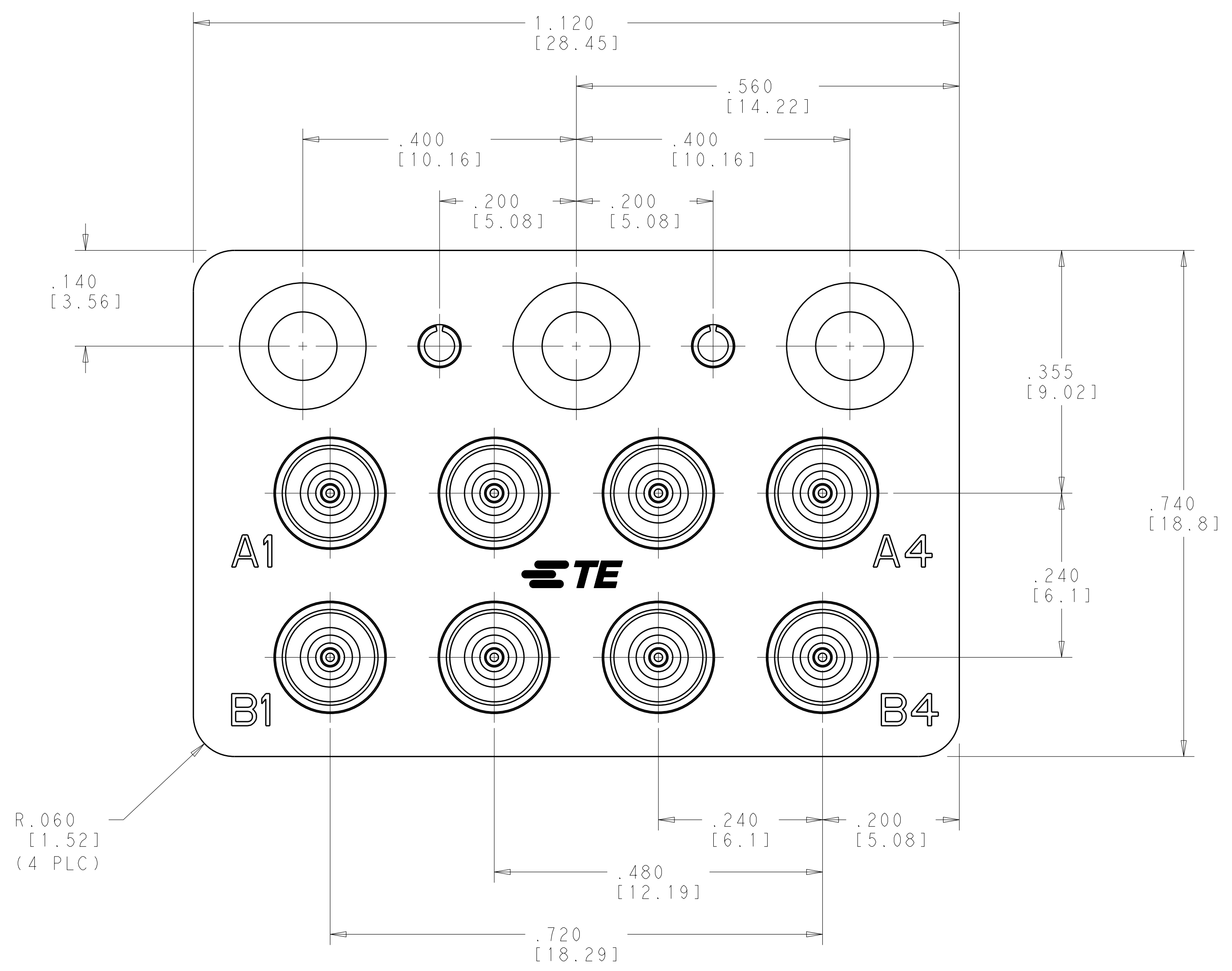


| LOC | DIST | REV | DATE | BY | CHKD | APVD |
|-----|------|-----|------------|------|------|------|
| | | E | 12SEP2011 | RJM3 | STM | |
| | | F | 12SEP2011 | RJM3 | BM | |
| | | C | 01JUNE2010 | STM | STM | |
| | | D | 24MAR2011 | RJM3 | STM | |



- △ MATERIAL: SMOOTHBORE SMPM CONNECTOR BODY & CENTER CONTACT - BERYLIUM COPPER, ALLOY UNS C17300 CONDITION TD04, PER ASTM B196. INSULATORS - TEFLON (PTFE) ROD, PER ASTM D 1710. MODULE BODY & OSMM CONNECTORS - STAINLESS STEEL, PER UNS S30300. SLOTTED SPRIN PIN - NICKEL STAINLESS STEEL.
- △ FINISH: MODULE BODY, CONNECTOR BODIES & CENTER CONTACT - GOLD PLATE OVER NICKEL. SLOTTED SPRING PIN - PASSIVATED.
- △ FINISH: MODULE BODY, OSMM CONNECTOR BODY & SLOTTED SPRING PIN - PASSIVATED. SMOOTHBORE SMPM CONNECTOR BODY & CENTER CONTACT - GOLD PLATE OVER NICKEL.

| | |
|----------------|-------------|
| ③ | 1996777-2 |
| ② | 1996777-1 |
| SURFACE FINISH | PART NUMBER |

THIS DRAWING IS A CONTROLLED DOCUMENT.

| | | | | | | | |
|--------------------|--|-----------|------------|-------------|---------------|--------|-----------|
| DIMENSIONS: INCHES | TOLERANCES UNLESS OTHERWISE SPECIFIED: | 9 PLC ±.1 | 5 PLC ±.01 | 4 PLC ±.005 | ANGLES ±.0005 | FINISH | SEE TABLE |
|--------------------|--|-----------|------------|-------------|---------------|--------|-----------|

| | | |
|--------------|------------------|--|
| OWN: RJM3 | DATE: 04FEB2011 | NAME: 8 POSITION P.C.B. MOUNT RF MODULE, VITA 67 BACKPLANE - C'SINK MTG. HOLES |
| CHK: STM | DATE: 04FEB2011 | SIZE: A100779 |
| APVD: STM | DATE: 04FEB2011 | SCALE: 8:1 |
| PRODUCT SPEC | APPLICATION SPEC | REVISIONS |
| WEIGHT | CUSTOMER DRAWING | SHEET 1 OF 1 |

TE Connectivity

X-ON Electronics

Largest Supplier of Electrical and Electronic Components

Click to view similar products for [RF Connectors / Coaxial Connectors](#) category:

Click to view products by [TE Connectivity](#) manufacturer:

Other Similar products are found below :

[8915-1511-000](#) [89674-0827](#) [6001-7071-019](#) [6002-7051-003](#) [6002-7551-202](#) [6059674-1](#) [619550-1](#) [630059-000](#) [M39030/3-01N](#) [6500-7071-046](#) [6769](#) [CX050L2AQ](#) [7002-1541-010](#) [7002-1542-011](#) [7004-1512-000](#) [7009-1511-004](#) [7010-1511-000](#) [7029-1511-060](#) [7101-1541-010](#) [7101-1571-002](#) [7105-1521-002](#) [7145-1521-002](#) [7203-1571-003](#) [7209-1511-011](#) [7210-1511-015](#) [7210-1511-019](#) [73137-5015](#) [73216-2241](#) [73404-2300](#) [7405-1521-005](#) [7405-1521-802](#) [8527](#) [8547](#) [FS11V](#) [877931](#) [9049-9513-000](#) [9074-9513-000](#) [9101-9573-002](#) [910A205F](#) [9130-9573-002](#) [PL11SC-026](#) [PL375-33](#) [PL40-5](#) [PL74C-221](#) [PL75MC-217](#) [PL803-7](#) [1200690078](#) [1-201144-1](#) [R107003010W](#) [R110A172100](#)