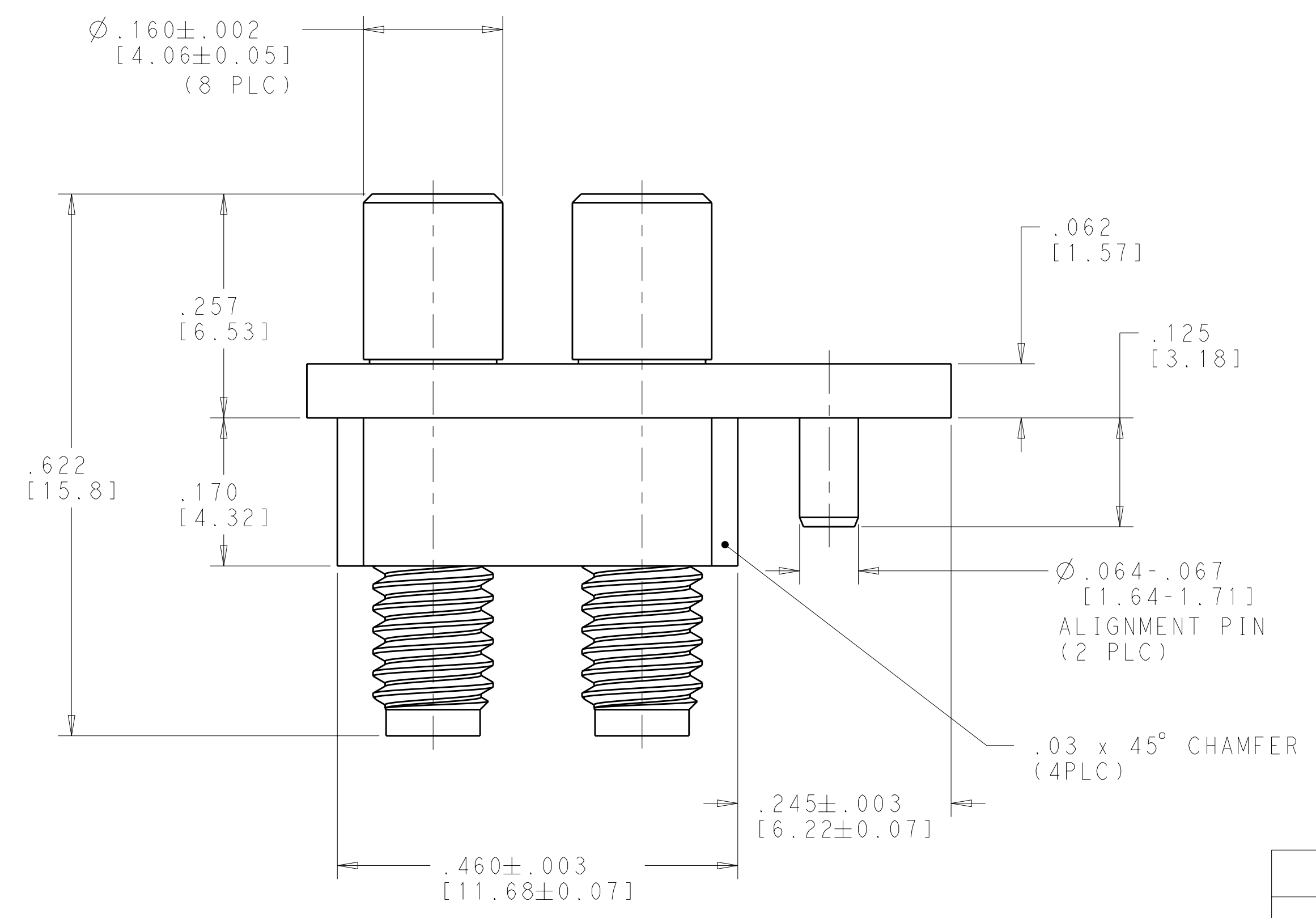
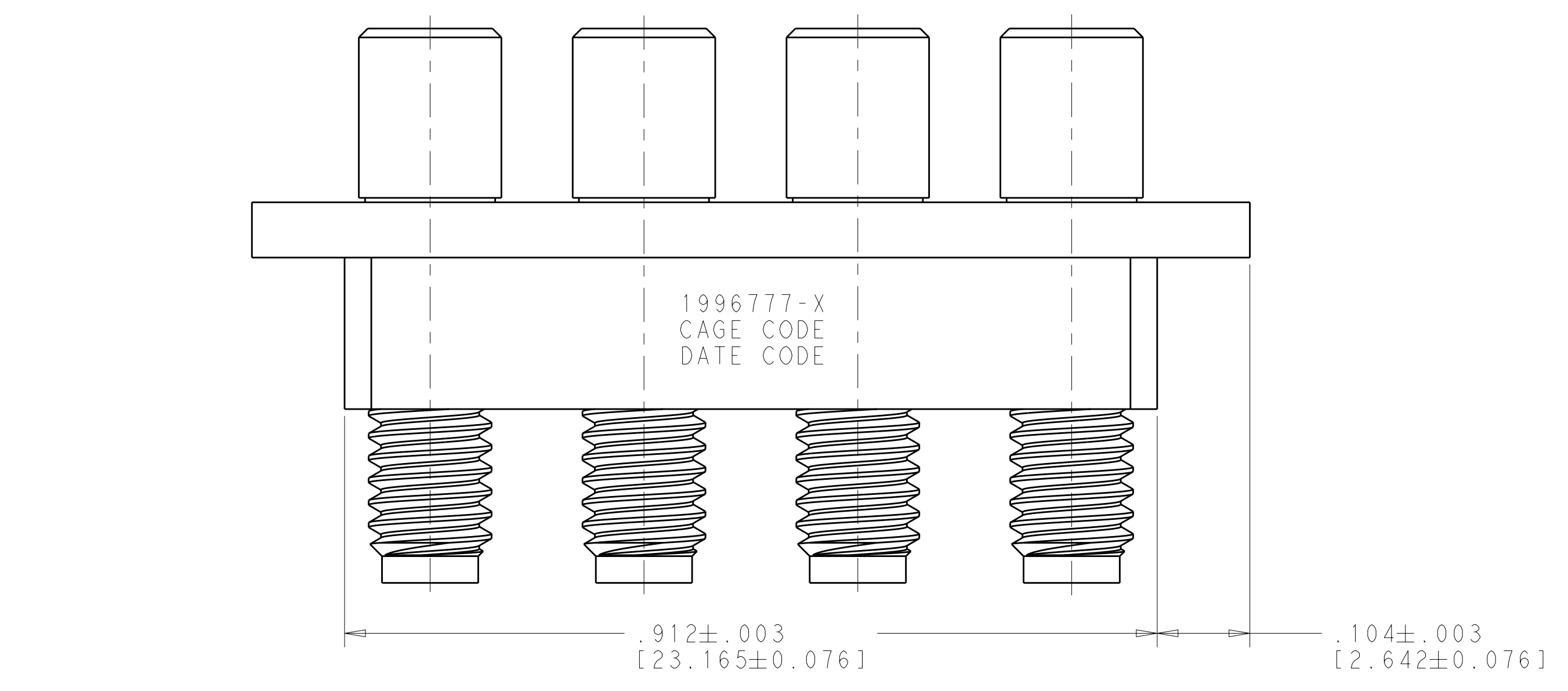
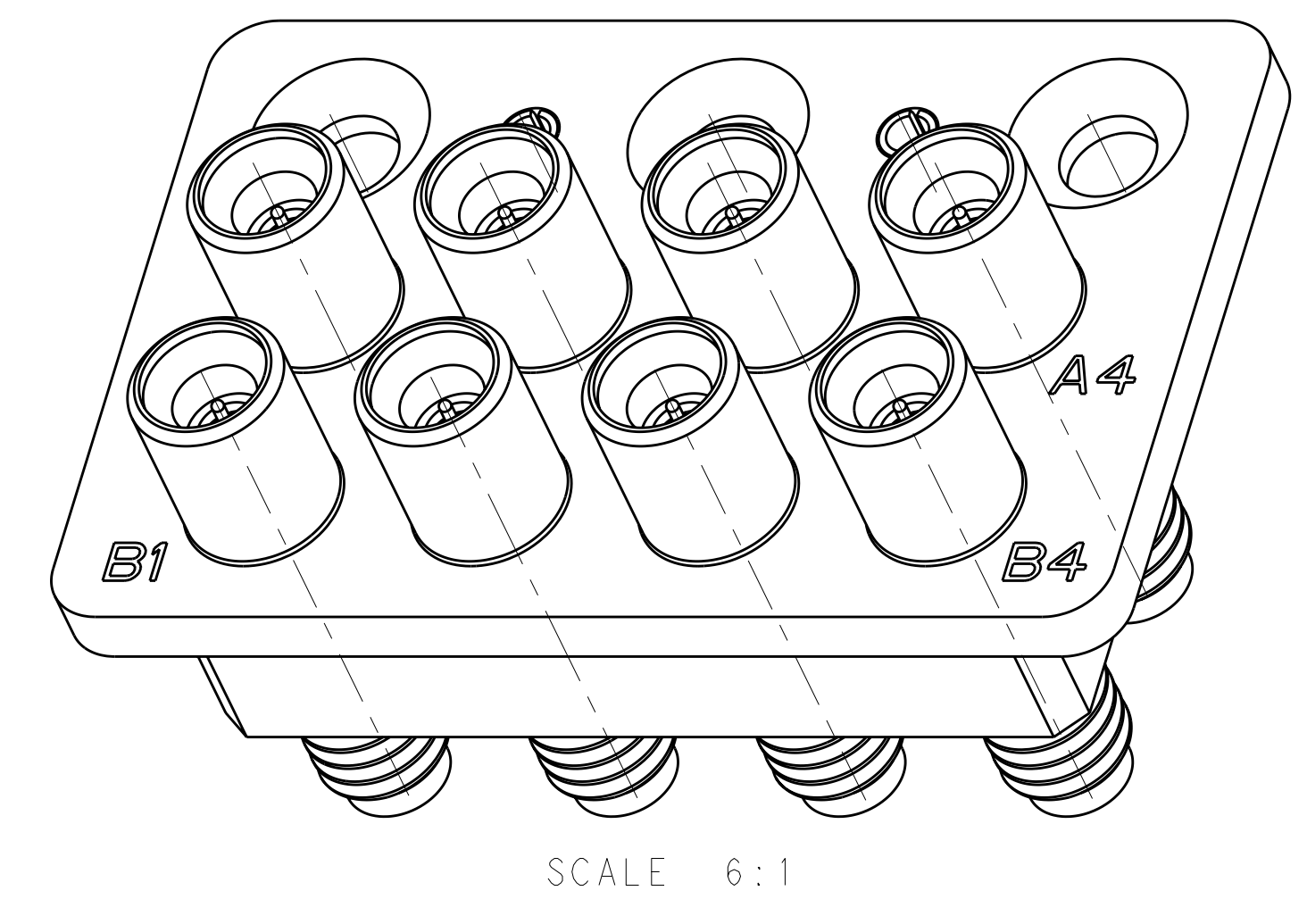
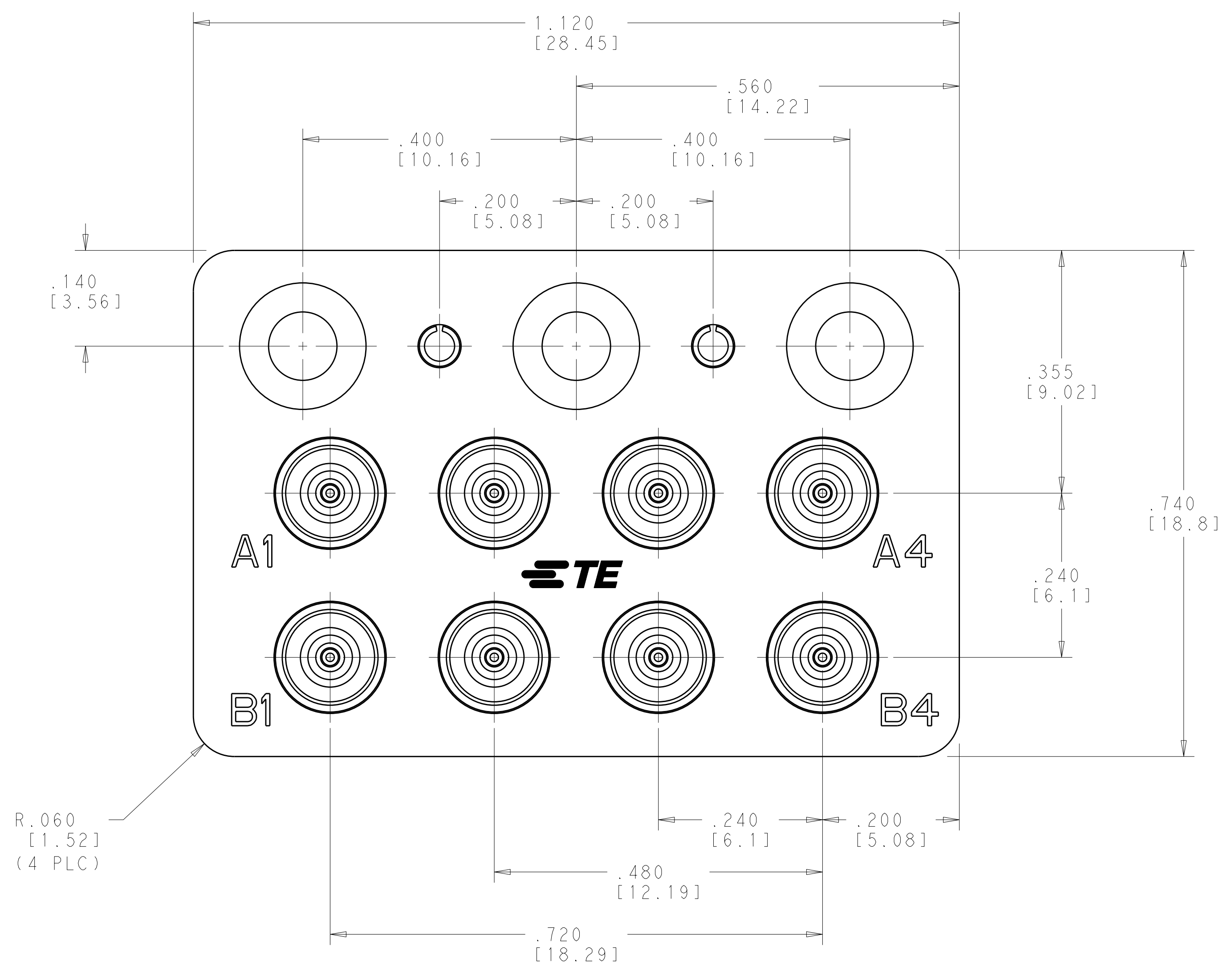


LOC	DIST	REV	DATE	BY	CHK	APPV	DESCRIPTION
		E	12SEP2011	RJM3	STM		REV PER RTS-530595-1
		F	12SEP2011	RJM3	BM		REL. PER ECO-11-018432
		C	01JUNE2010	STM	STM		ADDED DASH 2
		D	24MAR2011	RJM3	STM		PART MARKING AND FORMAT UPDATED



- ⚠ MATERIAL: SMOOTHBORE SMPM CONNECTOR BODY & CENTER CONTACT - BERYLIUM COPPER, ALLOY UNS C17300 CONDITION TD04, PER ASTM B196.
INSULATORS - TEFLON (PTFE) ROD, PER ASTM D 1710.
MODULE BODY & OSMM CONNECTORS - STAINLESS STEEL, PER UNS S30300
SLOTTED SPRIN PIN - NICKEL STAINLESS STEEL
- ⚠ FINISH: MODULE BODY, CONNECTOR BODIES & CENTER CONTACT - GOLD PLATE OVER NICKEL
SLOTTED SPRING PIN - PASSIVATED
- ⚠ FINISH: MODULE BODY, OSMM CONNECTOR BODY & SLOTTED SPRING PIN - PASSIVATED
SMOOTHBORE SMPM CONNECTOR BODY & CENTER CONTACT - GOLD PLATE OVER NICKEL

③	1996777-2
②	1996777-1
SURFACE FINISH	PART NUMBER

THIS DRAWING IS A CONTROLLED DOCUMENT.

DIMENSIONS: INCHES	TOLERANCES UNLESS OTHERWISE SPECIFIED:	OWN: RJM3 04FEB2011	CHK: STM 04FEB2011	APPV: STM 04FEB2011	NAME: 8 POSITION P.C.B. MOUNT RF MODULE, OSMM CONTACTS
9 PLC ±.1	1 PLC ±.01	PRODUCT SPEC			SIZE: CAGE CODE DRAWING NO. RESTRICTED TO
5 PLC ±.01	4 PLC ±.001	APPLICATION SPEC			VITA 67 BACKPLANE - C'SINK MTG. HOLES
3 PLC ±.005	ANGLES ±.0005	FINISH	WEIGHT		A100779C=1996777
		SEE TABLE	CUSTOMER DRAWING	SCALE: 8:1	SHEET 1 OF 1 REV F

STC TE Connectivity

X-ON Electronics

Largest Supplier of Electrical and Electronic Components

Click to view similar products for [RF Connector Accessories](#) category:

Click to view products by [TE Connectivity](#) manufacturer:

Other Similar products are found below :

[89674-0712](#) [F702RX24](#) [FERRULE-174](#) [R141802000](#) [R141805000](#) [R141842000](#) [R161862000](#) [R161862000W](#) [R280752000](#) [R280907000](#)
[R694261906](#) [RFI21-13](#) [RFI75-13-D2](#) [RFI75-4-D2](#) [AX102906](#) [AX102907](#) [18097-0013](#) [HP-375](#) [HP-500](#) [2098-0294-00](#) [2098-3251-94](#) [KA-](#)
[81-05](#) [89674-0805](#) [F1](#) [FERRULE-223](#) [202102-11](#) [213337-1](#) [220222-2](#) [24092671A](#) [24092678A](#) [R161841000](#) [R280468000](#) [R280510000](#)
[R282862060](#) [RFI155-1](#) [RFI25-12-D3](#) [RFI25-5](#) [RFI25-5-D3](#) [RFI75-12-D2](#) [RFI75-2-D2](#) [RFI75-4-D3](#) [RFI77-6](#) [RFI97-14](#)
[360HS001M2508M6](#) [4-1532137-4](#) [5-21085-0](#) [105274-1000](#) [111062-0490](#) [112122-SOD-LUG](#) [112-NUT-KNURL](#)