

POSITION	DIM "X"
P2A	2.187" [55.55mm]
P2B	2.743" [69.67mm]
P3A	3.875" [98.42mm]
P3B	4.431" [112.54mm]
P4A	5.009" [127.22mm]
P4B	5.565" [141.34mm]
P5A	6.142" [156.02mm]
P5B	6.698" [170.14mm]
P6A	7.276" [184.82mm]
P6B	7.832" [198.94mm]
ALL DIMENSIONS $\pm .0008"$ [$\pm 0.02mm$] UNLESS OTHERWISE SPECIFIED	

Table 1: Four Position Plug-in Module Connector Location.

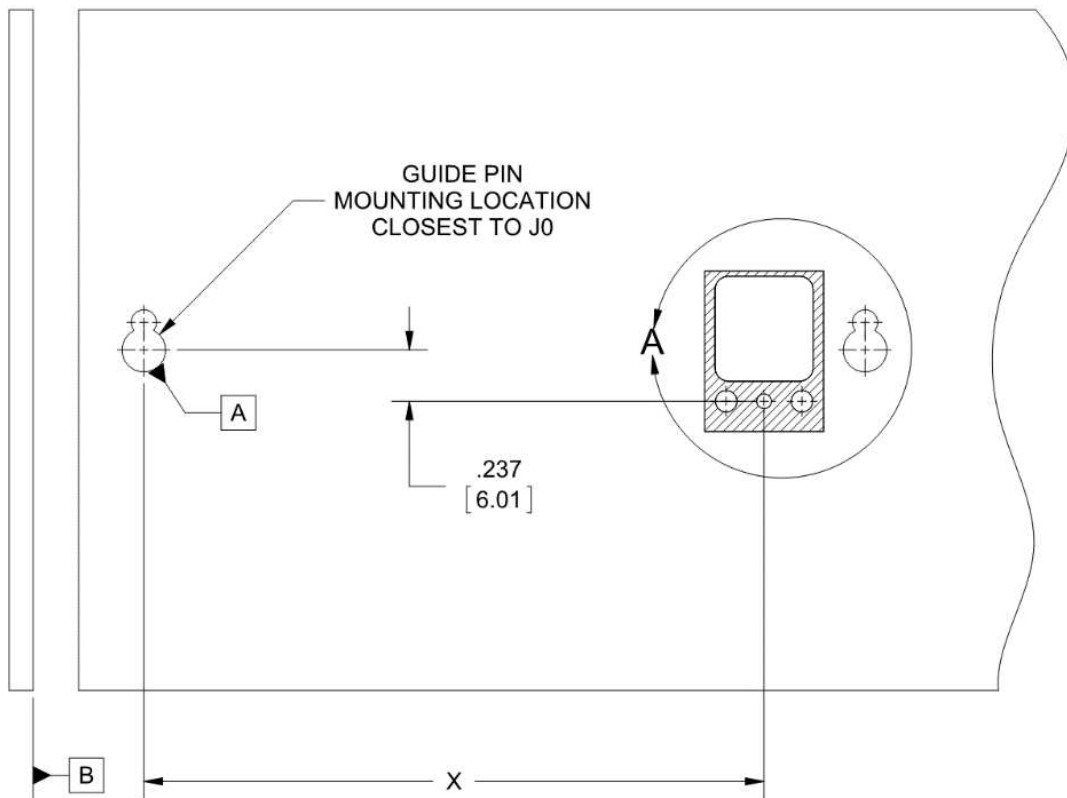


Figure 2: Four Position RF Backplane Module Footprint and Cutout. (Reference ANSI/VITA 67.1, Figure 3.3.2-1)

POSITION	DIM "X"
J2A	2.312" [58.73mm]
J2B	2.868" [72.85mm]
J3A	4.000" [101.60mm]
J3B	4.556" [115.72mm]
J4A	5.134" [130.40mm]
J4B	5.690" [144.52mm]
J5A	6.268" [159.20mm]
J5B	6.824" [173.32mm]
J6A	7.402" [188.00mm]
J6B	7.957" [202.12mm]
ALL DIMENSIONS $\pm .0008"$ [$\pm 0.02\text{mm}$] UNLESS OTHERWISE SPECIFIED	

Table 2: Four Position Backplane Connector Mounting Locations by Position.

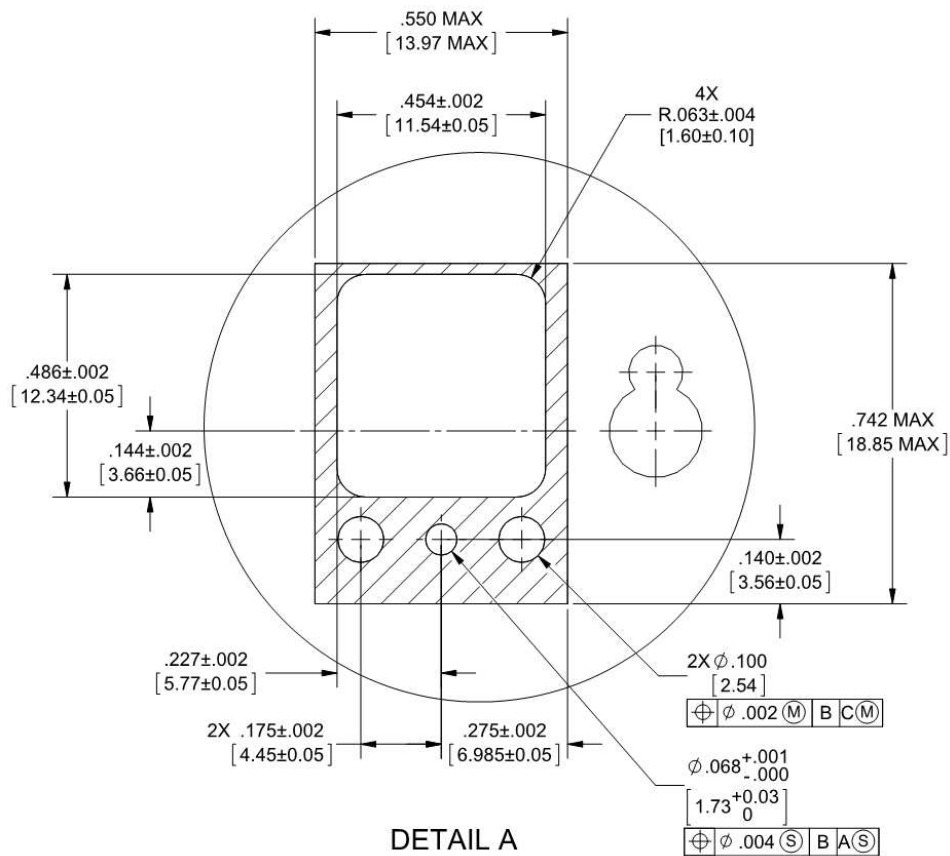


Figure 3: Detail A, Four Position RF Backplane Module Mounting.

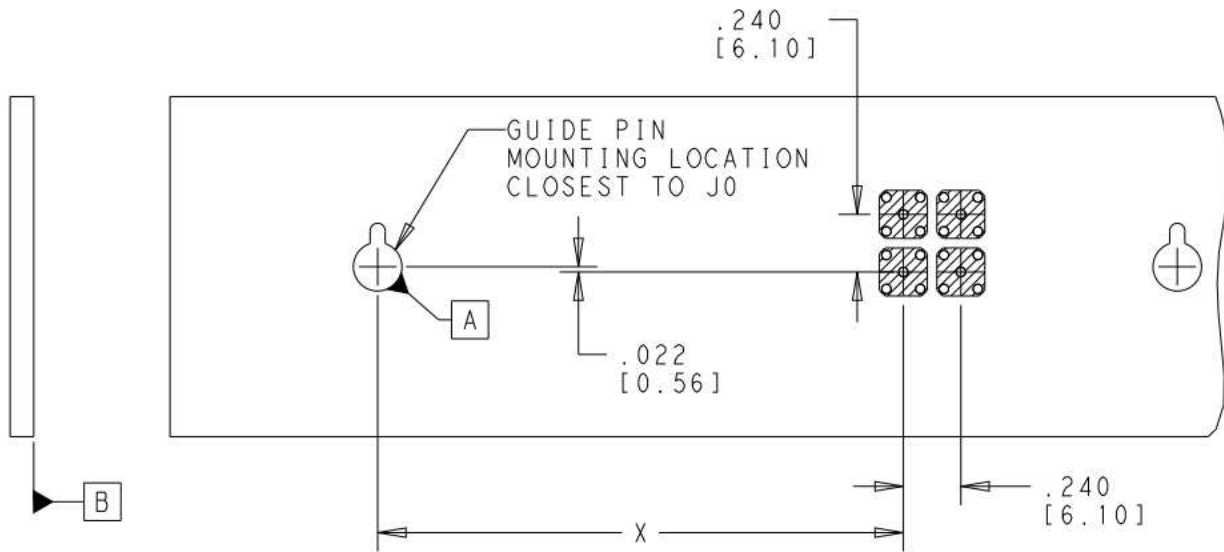


Figure 4: Four Position RF Backplane Mounting Location for SMPM Vertical Plug (1996318-1)

POSITION	DIM "X"
J2A	2.192" [55.68mm]
J2B	2.748" [69.80mm]
J3A	3.880" [98.55mm]
J3B	4.436" [112.67mm]
J4A	5.014" [127.36mm]
J4B	5.570" [141.48mm]
J5A	6.148" [156.16mm]
J5B	6.704" [170.28mm]
J6A	7.282" [184.96mm]
J6B	7.837" [199.06mm]
ALL DIMENSIONS $\pm 0.008"$ [$\pm 0.2\text{mm}$] UNLESS OTHERWISE SPECIFIED	

Table 3: Four Position RF Backplane Mounting Location for SMPM Vertical Plug (1996318-1) by Position.

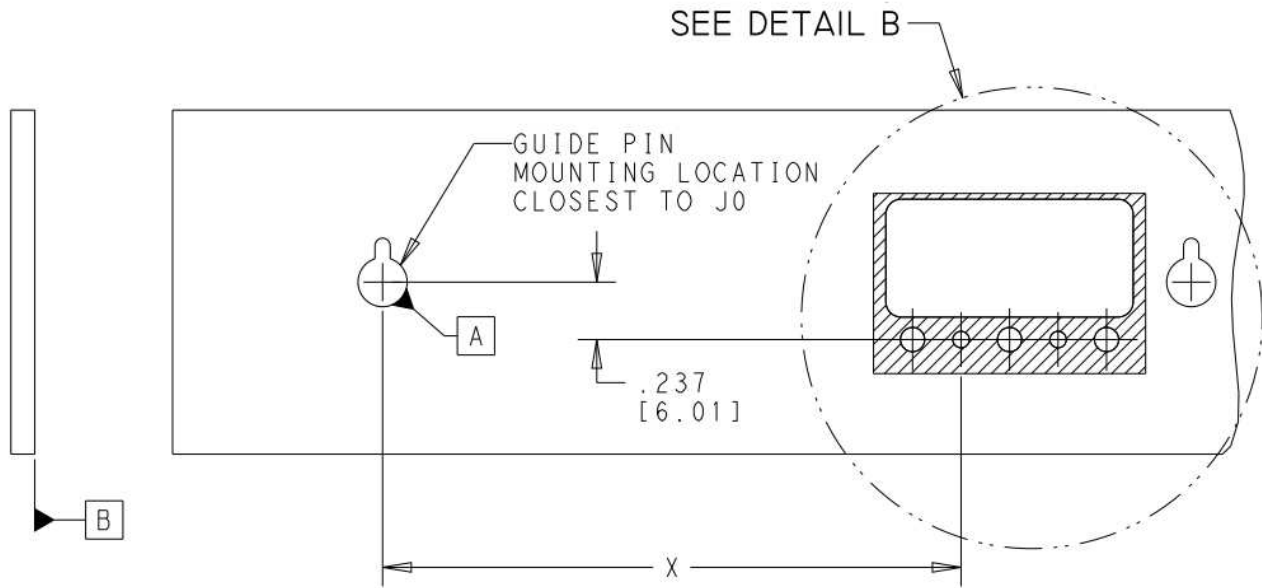


Figure 6: Eight Position RF Backplane Module Mounting Location. (Reference ANSI/VITA 67.2, Figure 3.3.2-1)

POSITION	DIM "X"
J2	2.385" [60.59mm]
J3	4.071" [103.41mm]
J4	5.205" [132.21mm]
J5	6.339" [161.01mm]
J6	7.473" [189.81mm]
ALL DIMENSIONS ± .0008" [± 0.02mm] UNLESS OTHERWISE SPECIFIED	

Table 5: Eight Position RF Backplane Module Mounting Location.

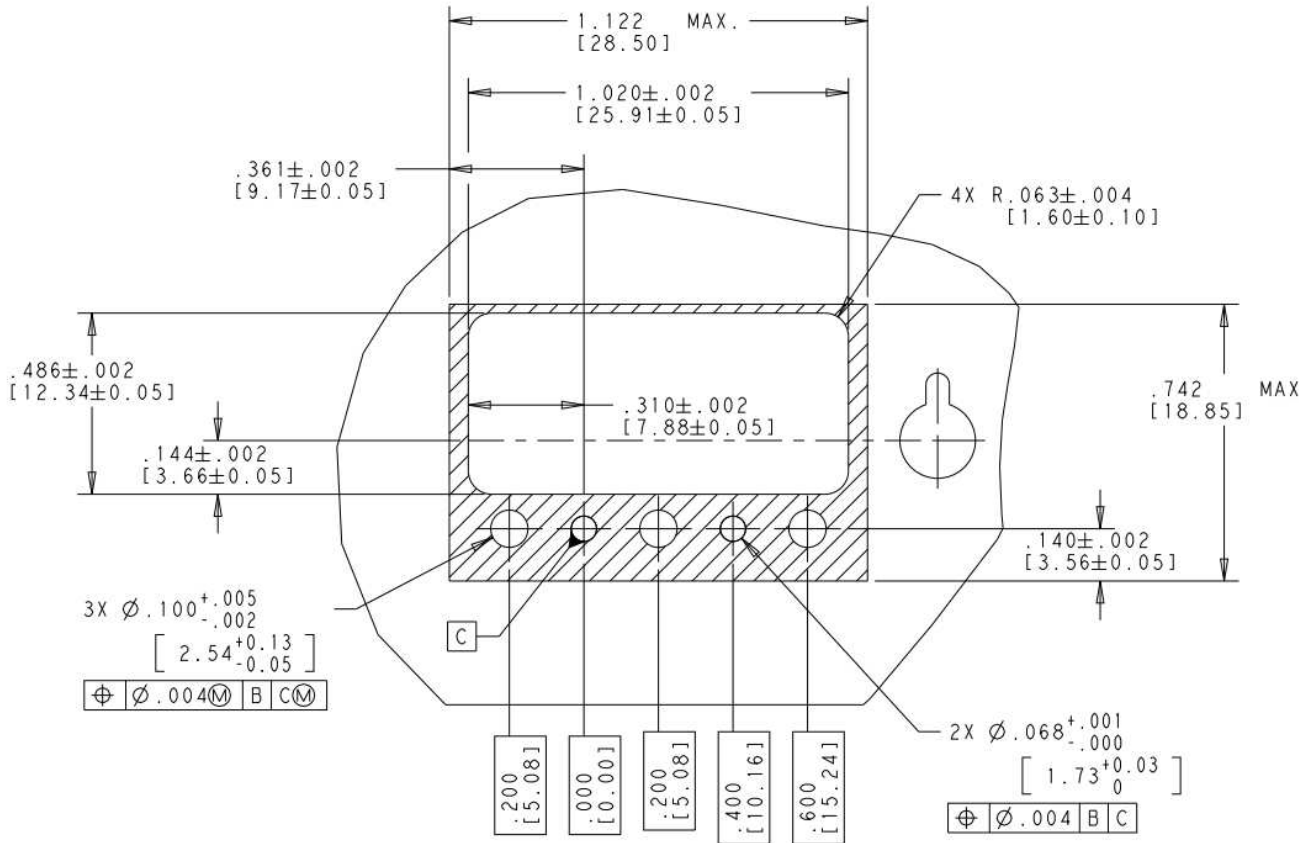


Figure 8: Detail B, Eight Position RF Backplane Module Mounting Location.

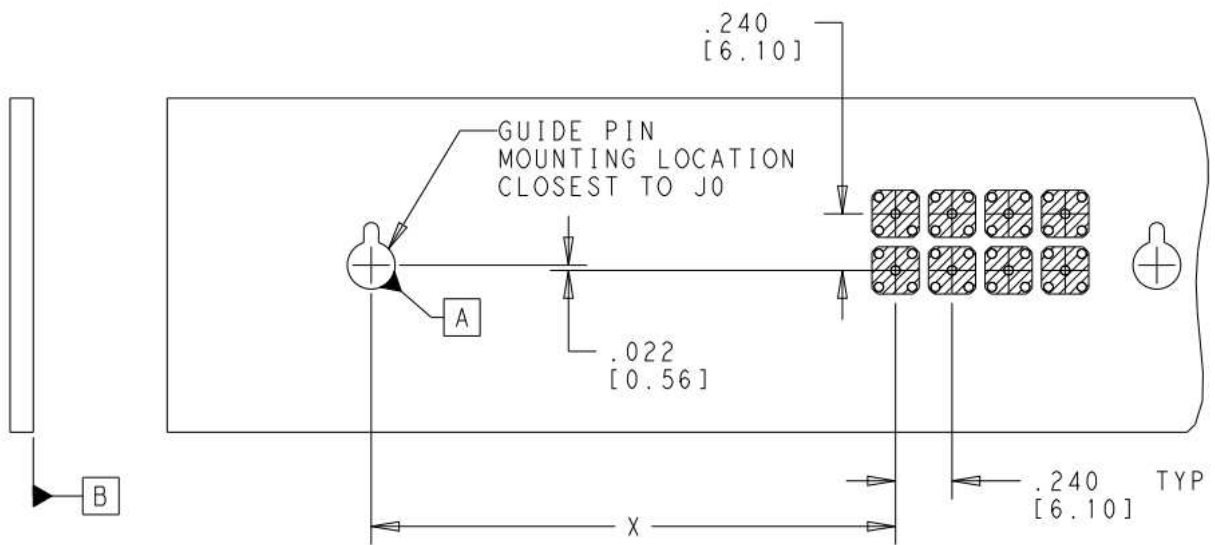


Figure 7: Eight Position RF Backplane Mounting Location for SMPM Vertical Plug (1996318-1)

POSITION	DIM "X"
J2	2.225" [56.53mm]
J3	3.911" [99.35mm]
J4	5.045" [128.15mm]
J5	6.179" [156.95mm]
J6	7.313" [185.75mm]
ALL DIMENSIONS $\pm .0008"$ [$\pm 0.02\text{mm}$] UNLESS OTHERWISE SPECIFIED	

Table 6: Eight Position RF Backplane Mounting Location for SMPM Vertical Plug (1996318-1) by Position.

X-ON Electronics

Largest Supplier of Electrical and Electronic Components

Click to view similar products for te connectivity manufacturer:

Other Similar products are found below :

[570416-000](#) [CLTEQ-M81CE-SSRELAY-4-20V](#) [4-1633138-8](#) [D38999/24FJ4AN](#) [4-1195131-0](#) [650069-000](#) [SMD100-2](#) [2EDL4CM](#)
[DTS20W19-11PD-3028](#) [DTS20W19-11PD-3028-LC](#) [DTS20W19-32SD-3028-LC](#) [DTS20W19-32SD-3028](#) [NC6-P104-06](#) [TXR64AB90-](#)
[3616AI](#) [DTS26F21-41HE](#) [DTS26F21-41AE](#) [DTS26F21-41PE-LC](#) [DTS26F21-11SE-3028-LC](#) [D38999/24WF32JE](#) [D38999/24WF32SE-LC](#)
[DTS24W19-32HE](#) [D38999/20JB35HA](#) [D38999/24WJ20PA](#) [164-8033-08](#) [D38999/24FF32JE](#) [D38999/24FF32SE-LC](#) [D38999/24WF32JB](#)
[D38999/24WG11HA](#) [D38999/24WG11HN](#) [MS27467T21F11H](#) [DJT16E21-11HA](#) [DTS24F19-32HE](#) [DTS20W19-32SA-3028-LC](#) [DTS24F19-](#)
[11SC-3028-LC](#) [DTS24F19-11SC-3028](#) [DJT14E13-98HB](#) [D38999/20WC8BB](#) [1-330599-5](#) [DTS24F21-41HN-LC](#) [DTS24F21-41HN](#)
[DTS24F21-41AN](#) [DTS24F21-39HN](#) [DTS24F21-41PN-LC](#) [AFD50-10-6SN-1A-LC](#) [DJT10F17-26HC](#) [DTS24W19-32HB](#) [ACT20JE99HA](#)
[DJT10E17-26HC](#) [DJT10E17-26HN](#) [DJT10F17-26HA](#)