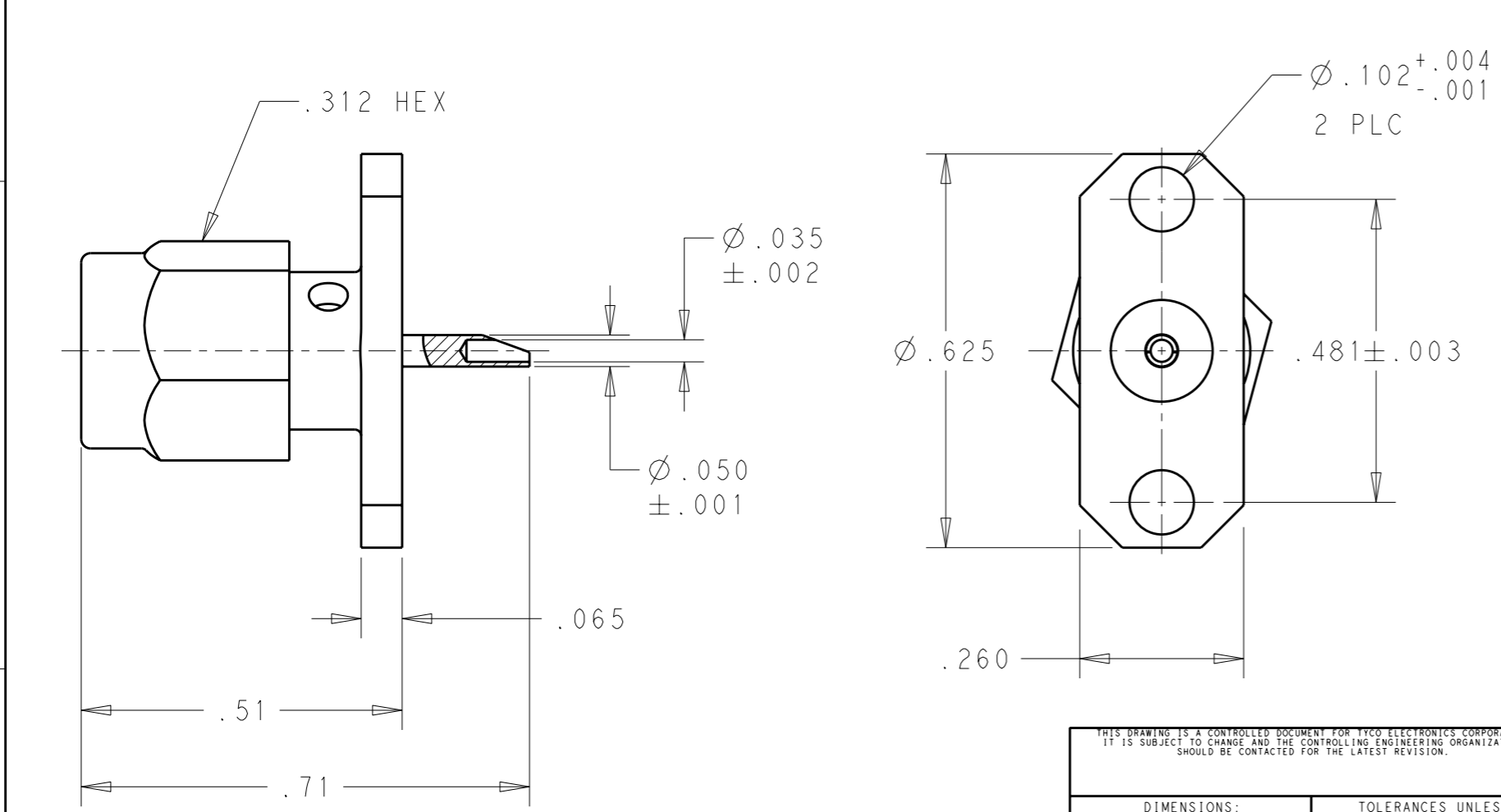


THIS DRAWING IS UNPUBLISHED. RELEASED FOR PUBLICATION
 © COPYRIGHT - BY TYCO ELECTRONICS CORPORATION. ALL INTERNATIONAL RIGHTS RESERVED.

LOC	DIST	REVISIONS			
P	LTR	DESCRIPTION	DATE	DWN	APVD
-	-	A	RELEASED PER ECO 11-00962	13JAN2011	BM CT

ELECTRICAL	MECHANICAL	ENVIRONMENTAL
NOMINAL IMPEDANCE (Ohms): 50 FREQUENCY RANGE (GHz): DC to N/A VOLT RATING (VRMS MAX) @ SEA LEVEL: 335 INSERTION LOSS (dB MAX): N/A VSWR: N/A RF LEAKAGE (dB MIN): N/A DWV (VRMS MIN) @ SEA LEVEL: 1000 I.R. (MEGOHMS MIN): 10000 RF HI-POT (VRMS MIN @ 5 MHz): 670 (@ sea level) CORONA 70000 FT (VRMS MIN): 250 CONTACT RESISTANCE (MILLIOHMS MAX): CENTER: 2.0 OUTER: 2.0	INTERFACE DIMENSIONS: MIL-STD-348, FIG 310.2 RECOMMENDED MATING TORQUE (IN-LBS): 7-10 FORCE TO ENGAGE AND DISENGAGE (LBS MAX): 2.0 CENTER CONTACT CAPTIVATION AXIAL (LBS MIN): 6.0 RADIAL (IN-OZ MIN): 4.0	TEMPERATURE RANGE (°C): -65 to 125 VIBRATION: MIL-STD-1344, METHOD 2005, CONDITION IV SHOCK: MIL-STD-202, METHOD 213, CONDITION G THERMAL SHOCK: MIL-STD-202, METHOD 107, CONDITION A EXCEPT HIGH TEMP 200 °C CORROSION: MIL-STD-202, METHOD 101, CONDITION B MOISTURE RESISTANCE: MIL-STD-202, METHOD 106



FINISH	MATERIAL	COMPONENT
GOLD PLATE PER MIL-G-45204	STAINLESS STEEL PER ASTM A582, TYPE 303	HOUSING AND COUPLING NUT
NONE	TEFLON PER ASTM D1710	DIELECTRIC
GOLD PLATE PER MIL-G-45204	BERYLLIUM COPPER PER ASTM B196, COND H	CENTER CONTACT
NONE	BERYLLIUM COPPER PER ASTM B194, COND H	RETAINING RING
NONE	SILICONE RUBBER PER ZZ-R-765	GASKET

1996932-1
PART NUMBER

<small>THIS DRAWING IS A CONTROLLED DOCUMENT FOR TYCO ELECTRONICS CORPORATION IT IS SUBJECT TO CHANGE AND THE CONTROLLING ENGINEERING ORGANIZATION SHOULD BE CONTACTED FOR THE LATEST REVISION.</small>		DWN B. MOYER 13JAN2011 CHK C.C. THOMAS 1-14-11 APVD B. MOYER 1-14-11	Tyco Electronics Tyco Electronics Corporation Harrisburg, PA 17105-3608	
DIMENSIONS: INCHES 	TOLERANCES UNLESS OTHERWISE SPECIFIED: 0 PLC ± 1 PLC ± 2 PLC ±.01 3 PLC ±.005 4 PLC ± ANGLES ±	PRODUCT SPEC - APPLICATION SPEC - WEIGHT -	NAME SMA, 2 HOLE FLANGE MOUNT, PLUG RECEPTACLE SOLDER POT TERMINAL	
MATERIAL SEE TABLE	FINISH SEE TABLE	CUSTOMER DRAWING	SIZE A3 CAGE CODE 00779 DRAWING NO C-1996932	RESTRICTED TO -
SCALE 4:1			SHEET 1 OF 1	REV A

X-ON Electronics

Largest Supplier of Electrical and Electronic Components

Click to view similar products for [RF Connectors](#) / [Coaxial Connectors](#) category:

Click to view products by [TE Connectivity](#) manufacturer:

Other Similar products are found below :

[R125315120](#) [8915-1511-000](#) [89674-0827](#) [5916-1103-603](#) [6-0001-3](#) [6001-7071-019](#) [6002-7051-003](#) [6002-7551-202](#) [6059674-1](#) [619550-1](#)
[630059-000](#) [M39012/25-0021](#) [M39012/79-3008](#) [M39030/3-01N](#) [M39030/3-03N](#) [M3933/25-36N](#) [6500-7071-046](#) [M83723/72W24576](#)
[M83723/72W2457N](#) [6769](#) [CX050L2AQ](#) [7002-1541-010](#) [7002-1572-002](#) [7003-1572-002](#) [7010-1511-000](#) [7029-1511-060](#) [7101-1541-010](#)
[7101-1571-002](#) [7105-1521-002](#) [7145-1521-002](#) [7209-1511-011](#) [7210-1511-015](#) [7210-1511-019](#) [7225-1512-050](#) [7242-1511-000](#) [73137-5015](#)
[73251-0111](#) [73251-0672](#) [7325-1512-000](#) [73276-1501](#) [73366-0013](#) [73404-2300](#) [73413-6080](#) [73415-5721](#) [7405-1521-005](#) [7405-1521-802](#)
[7406-1521-005](#) [804S01D04M040](#) [8145-1521-002](#) [81590](#)