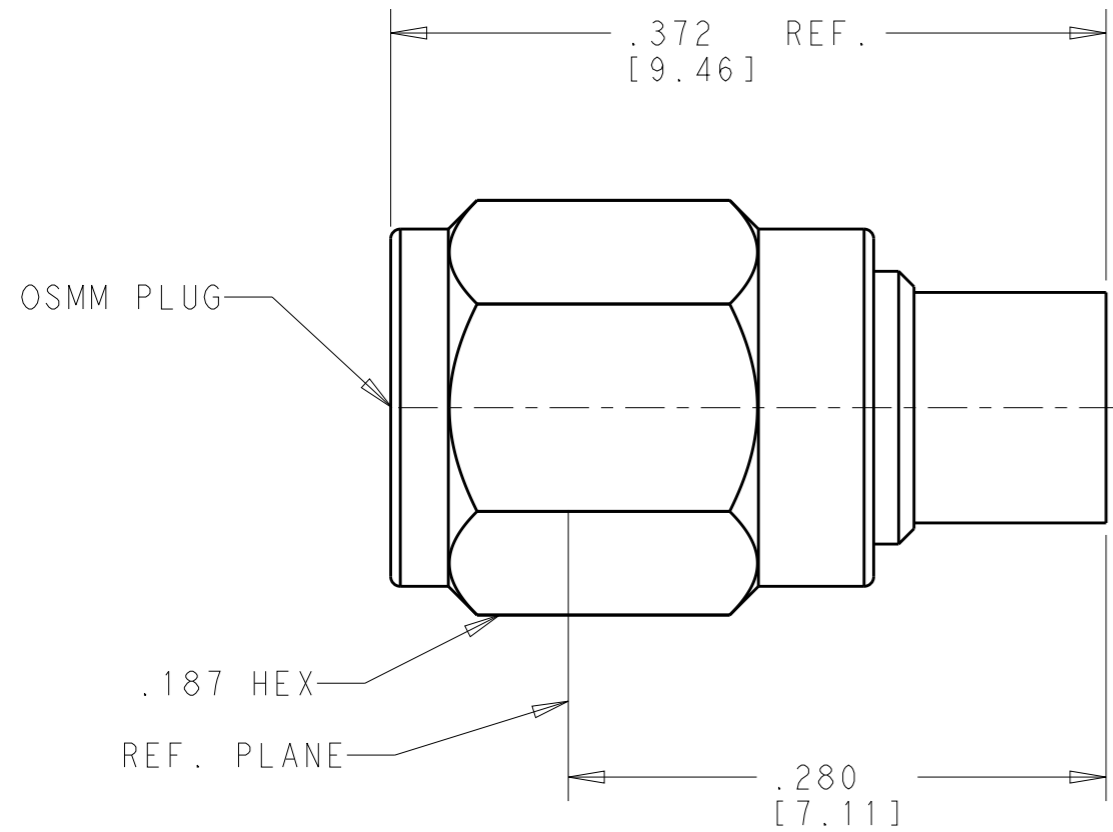


THIS DRAWING IS UNPUBLISHED. RELEASED FOR PUBLICATION 20
 © COPYRIGHT 20 BY - ALL RIGHTS RESERVED.

REVISIONS					
P	LTR	DESCRIPTION	DATE	DWN	APVD
	C	REV PER ECO 17-014431	10-11-17	CT	DW



1. CENTER CONTACT IS SHIPPED UNASSEMBLED.

COMPONENT	MATERIAL	FINISH
HOUSING	100-222-2, STAINLESS STEEL	GOLD PLATE PER ASTM B488
DIELECTRIC	100-54, PTFE, NATURAL	N/A
CENTER CONTACT	100-110 BRASS, HALF HARD	GOLD PLATE PER ASTM B488
GASKET	SILICONE RUBBER PER ZZ-R-765	N/A
RETAINING RING	BERYLLIUM COPPER PER ASTM-B-194, ALLOY C17200, CONDITION H	N/A

ELECTRICAL	MECHANICAL	ENVIRONMENTAL
NOM. IMPEDANCE (OHMS) 50 ±1	Mating Characteristics: Insertion (MAX Lbs) 3 Withdrawal (MIN Oz) .5 Force to Engage (In-Lbs MAX) 1.0 & Disengage Center Contact Captivation Axial (Lbs) N/A	TEMP. RATING -65° TO +165°C
Freq. Range (GHz) DC to 45		Vibration MIL-STD-202, Method 204, Condition D
Volt Rating (VRMS MAX) @ Sea Level 190		Shock MIL-STD-202, Method 213 Condition 1
VSWR 1.05±.005X F(GHz)		THERMAL SHOCK Method 107, Cond B except High Temp +115°C
Insertion Loss (db Max) .08x SQRT.f(GHz)		Moisture Resistance MIL-STD-202 Method 106
RF Leakage (db MIN) (Interface Only, Fully Mated) -(90-f(GHz))		Corrosion - MIL-STD-202, Method 101, Condition B
Corona, 70,000Ft.(VRMS MIN) 150		
Dielectric Withstanding Voltage (VRMS MIN)@ Sea Level 500		
Contact Resistance (Millohms MAX) Center Contact 4.0 Outer Contact 3.0 Cable to Housing 1.0		
RF High Potential @ Sea Level (VRMS MIN @ 5MHz) 375		
IR (Megohms MIN) 5000		

THIS DRAWING IS A CONTROLLED DOCUMENT.

DWN 09SEPT2008 D. Wilson
 CHK 09NOV2009 S. T. Morley
 APVD 24MAY2011 DHW

STE TE Connectivity

NAME OSMM STRAIGHT CABLE PLUG DIRECT SOLDER FOR .086 DIA. CABLE

PRODUCT SPEC - APPLICATION SPEC 408-10450

WEIGHT -

MATERIAL SEE TABLE FINISH SEE TABLE

SIZE A3 CAGE CODE 00779 DRAWING NO C-1996942 RESTRICTED TO -

CUSTOMER DRAWING SCALE 15:1 SHEET 1 OF 1 REV C

X-ON Electronics

Largest Supplier of Electrical and Electronic Components

Click to view similar products for [RF Connectors / Coaxial Connectors](#) category:

Click to view products by [TE Connectivity](#) manufacturer:

Other Similar products are found below :

[8915-1511-000](#) [89674-0827](#) [6001-7071-019](#) [6002-7051-003](#) [6002-7551-202](#) [6059674-1](#) [619550-1](#) [630059-000](#) [M39030/3-01N](#) [6500-7071-046](#) [6769](#) [CX050L2AQ](#) [7002-1541-010](#) [7002-1542-011](#) [7004-1512-000](#) [7009-1511-004](#) [7010-1511-000](#) [7029-1511-060](#) [7101-1541-010](#) [7101-1571-002](#) [7145-1521-002](#) [7203-1571-003](#) [7209-1511-011](#) [7210-1511-015](#) [7210-1511-019](#) [73137-5015](#) [73216-2241](#) [73404-2300](#) [7405-1521-005](#) [7405-1521-802](#) [8527](#) [8547](#) [FS11V](#) [877931](#) [8808-1511-001](#) [9049-9513-000](#) [9074-9513-000](#) [9101-9573-002](#) [910A205F](#) [9130-9573-002](#) [PL11SC-026](#) [PL375-33](#) [PL40-5](#) [PL74C-221](#) [PL75MC-217](#) [PL803-7](#) [1200690078](#) [1-201144-1](#) [R107003010W](#) [R110A172100](#)