

765998-1 ACTIVE

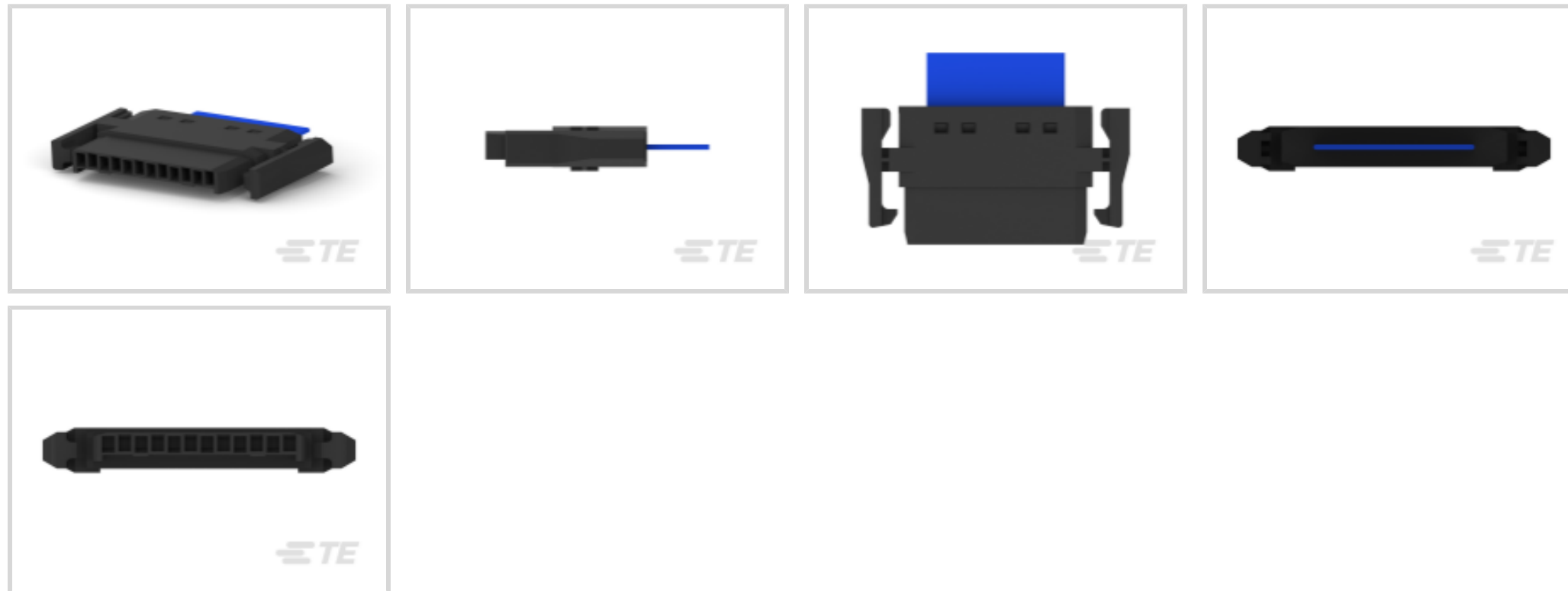
TE Internal #: 765998-1

Power Cable Assemblies, Single-Ended, Power Cable Assembly
Overall Outside Cable Diameter .034 in [.09 mm], Cable Assembly
Length .08 ft [.02 m], Blue

[View on TE.com >](#)



Cable Assemblies > Copper Cable Assemblies > Power Cable Assemblies



Power Cable Assembly Configuration: **Single-Ended**

Power Cable Assembly Overall Outside Cable Diameter: **.09 mm [.034 in]**

Power Cable Assembly Shielded: **No**

Cable Assembly Length: **.02 m [.08 ft]**

Power Cable Assembly Color: **Blue**

Features

Product Type Features

Power Cable Assembly Shielded	No
Power Cable Assembly Type	Power

Configuration Features

Power Cable Assembly Configuration	Single-Ended
------------------------------------	--------------

Body Features

Power Cable Assembly Color	Blue
----------------------------	------

Housing Features

Power Cable Assembly Housing Color	Black
------------------------------------	-------

Dimensions

Power Cable Assembly Overall Outside Cable Diameter	.09 mm[.034 in]
---	-----------------

Other

Cable Assembly Length	.02 m[.08 ft]
-----------------------	---------------

Product Compliance

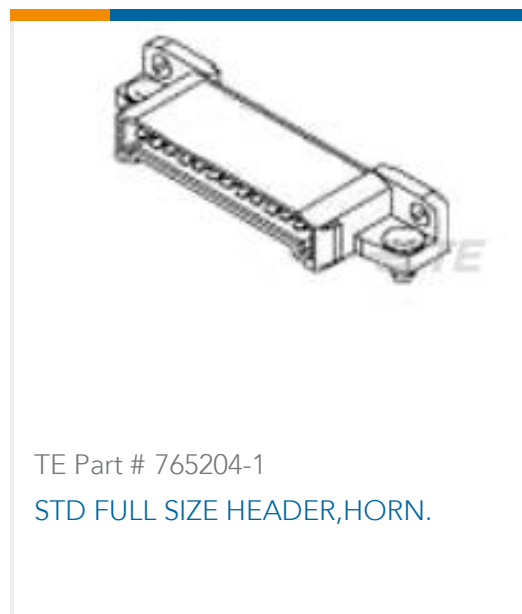
[For compliance documentation, visit the product page on TE.com>](#)

EU RoHS Directive 2011/65/EU	Compliant
EU ELV Directive 2000/53/EC	Compliant
China RoHS 2 Directive MIIT Order No 32, 2016	No Restricted Materials Above Threshold
EU REACH Regulation (EC) No. 1907/2006	Current ECHA Candidate List: JUL 2021 (219) Candidate List Declared Against: JUL 2021 (219) Does not contain REACH SVHC
Halogen Content	Not Low Halogen - contains Br or Cl > 900 ppm.
Solder Process Capability	Not applicable for solder process capability

Product Compliance Disclaimer

This information is provided based on reasonable inquiry of our suppliers and represents our current actual knowledge based on the information they provided. This information is subject to change. The part numbers that TE has identified as EU RoHS compliant have a maximum concentration of 0.1% by weight in homogenous materials for lead, hexavalent chromium, mercury, PBB, PBDE, DBP, BBP, DEHP, DIBP, and 0.01% for cadmium, or qualify for an exemption to these limits as defined in the Annexes of Directive 2011/65/EU (RoHS2). Finished electrical and electronic equipment products will be CE marked as required by Directive 2011/65/EU. Components may not be CE marked. Additionally, the part numbers that TE has identified as EU ELV compliant have a maximum concentration of 0.1% by weight in homogenous materials for lead, hexavalent chromium, and mercury, and 0.01% for cadmium, or qualify for an exemption to these limits as defined in the Annexes of Directive 2000/53/EC (ELV). Regarding the REACH Regulation, the information TE provides on SVHC in articles for this part number is based on the latest European Chemicals Agency (ECHA) 'Guidance on requirements for substances in articles' posted at this URL: <https://echa.europa.eu/guidance-documents/guidance-on-reach>

Compatible Parts



Customers Also Bought



TE Part #1-1623821-0
CFH 1100 1R6 5% 300mm Leads



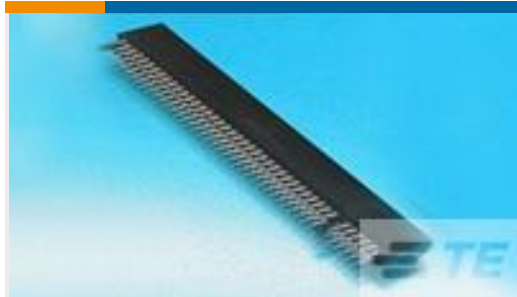
TE Part #1-6609985-6
10EJM8=F8198



TE Part #82-100A-C
NISO,LP,19MM,ABS,CONNECTOR



TE Part #1274684-1
JACK, 2 POSITION, STACKED, R/A,
PCB, MIN



TE Part #5176139-3
CONN SEC II 49 POS 100C/L



TE Part #1-1734346-2
STD USB TYPE B, R/A, SMT, WHITE



TE Part #1274663-2
JACK, 2 POSITION, STACKED R/A,
MINI BNC



TE Part #619271-1
QMA Plug terminator



TE Part #766492-1
CABLE ASSY, AMPOWER WAVE CRMP

Documents

Product Drawings

[CABLE ASSY 1-99-S-0](#)

English

CAD Files

[3D PDF](#)

3D

Customer View Model

[ENG_CVM_CVM_765998-1_A.2d_dxf.zip](#)

English

Customer View Model

[ENG_CVM_CVM_765998-1_A.3d_igs.zip](#)

English

Customer View Model

[ENG_CVM_CVM_765998-1_A.3d_stp.zip](#)

English

By downloading the CAD file I accept and agree to the [Terms and Conditions](#) of use.

Datasheets & Catalog Pages



[2_PIECE_POWER_CONNECTORS_qrg_4-1773458-1](#)

English

[Product Specifications](#)

[Application Specification](#)

English

X-ON Electronics

Largest Supplier of Electrical and Electronic Components

Click to view similar products for [Fibre Optic Connectors](#) category:

Click to view products by [TE Connectivity](#) manufacturer:

Other Similar products are found below :

[0004700001](#) [6100-R](#) [6313](#) [F709034706](#) [F709730000](#) [F718183204](#) [F727403500](#) [F727752800](#) [8119](#) [9440F20-27S-190](#) [944-120-6001](#)
[9441F10SL-3S](#) [9444W28-21S](#) [9444W36-10S](#) [9446F10SL-4S](#) [9446W20-16S](#) [953-101-5310-P](#) [954-101-57202B](#) [A0270169](#) [12-9122](#) [12-5702](#)
[AX101713](#) [AX102420](#) [AX103923](#) [AX104024](#) [AX104193](#) [AX104230](#) [AX104498](#) [AX104562](#) [AX105203-B25](#) [AX105205-S1](#) [EHSC2M](#)
[181-011-126](#) [181-011-S](#) [181-057-126](#) [HRFC-R2\(40\)](#) [NKSOPBUY](#) [20500002116](#) [2064996-1](#) [20800001065](#) [2170](#) [9132](#) [2612](#) [2620](#) [9291](#)
[9440F16-10S](#) [9440F20-18S](#) [9446F16-10S-190](#) [953-106-50231](#) [953-120-5003](#)