

CUSTOMER DRAWING

| | | |
|-------------------------|---------|---------|
| CATALOG # 1CUFS1 | | |
| ECN # | APPRVD. | DATE |
| 17-001881 | JB | 10FEB17 |

SAFETY ORGANIZATIONS

THIS FILTER HAS BEEN FORMALLY RECOGNIZED, CERTIFIED OR APPROVED BY THE LISTED AGENCY. THEREFORE, ALL TEST/REQUIREMENTS SPECIFIED IN THE LATEST REVISION OF THE FOLLOWING AGENCY STANDARDS HAVE BEEN MET:

- UL RECOGNIZED: UL 1283
- CSA CERTIFIED: CSA C22.2, # 8
- VDE APPROVED: EN 60939-2

OPERATING SPECIFICATIONS

LINE CURRENT/VOLTAGE: 1 AMP, 120/250 VAC,
1 AMP/40°C, 250 VAC

LINE FREQUENCY: 50-60Hz

MAXIMUM LEAKAGE CURRENT,
EACH LINE TO GROUND: 0.25 mA @ 120V 60Hz
0.40 mA @ 250V 50Hz

OPERATING AMBIENT TEMP. RANGE: -10°C TO +40°C @ RATED CURRENT, I_r.

IN AN AMBIENT, T_a, HIGHER THAN 40°C, THE MAXIMUM OPERATING CURRENT, I_o, IS AS FOLLOWS:

$$I_o = I_r \sqrt{\frac{85 - T_a}{45}}$$

RELIABILITY SPECIFICATIONS:

STORAGE TEMPERATURE: -40°C TO +85°C
HUMIDITY: 21 DAYS @ 40°C 95% RH,
CURRENT OVERLOAD TEST: 6 TIMES I_r FOR
8 SECONDS

TEST SPECIFICATIONS:

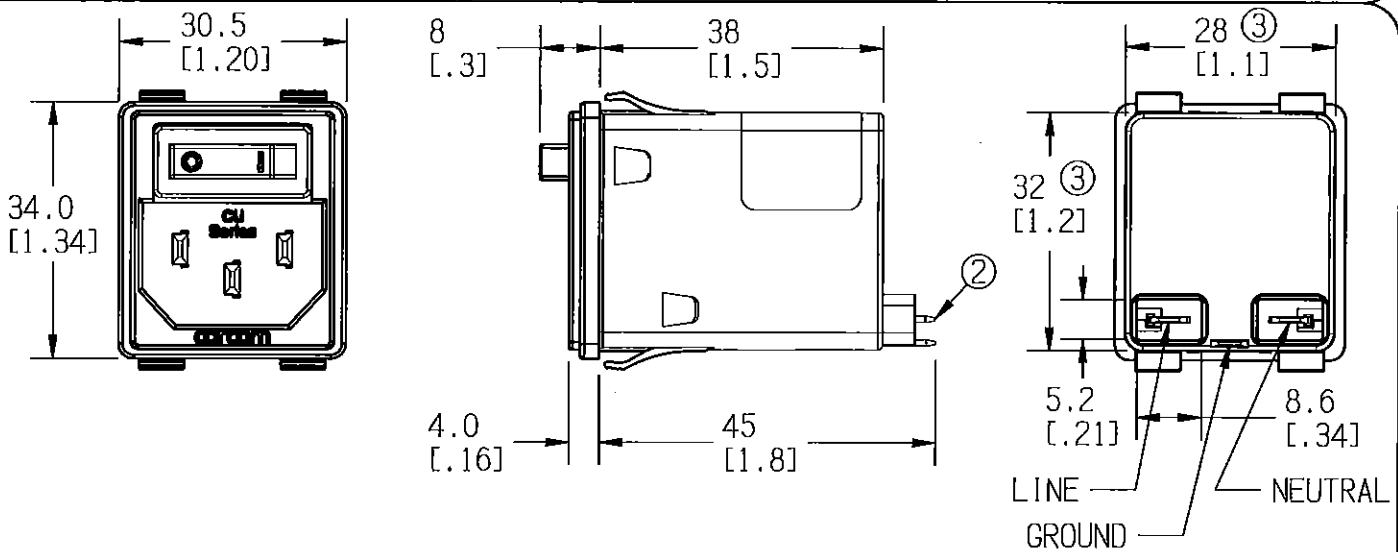
INDUCTANCE: 4.06 mH NOMINAL
CAPACITANCE: (MEASURED @ 1KHz, 0.250VAC MAX., 25°C±1°C)
LINE TO GROUND: 0.0028 µF ±20%
LINE TO LINE: 0.1000 µF ±20%
DISCHARGE RESISTOR: 3.3 MΩ
L/S AND L/L I.R.
NO DISCHARGE RESISTOR: 6000MΩ (MIN.) @ 100VDC,
20°C AND 50% RH

RECOMMENDED RECEIVING INSPECTION HIPOT:

LINE TO GROUND: 1500 VAC FOR 1 MINUTE
LINE TO LINE: 1450 VDC FOR 1 MINUTE

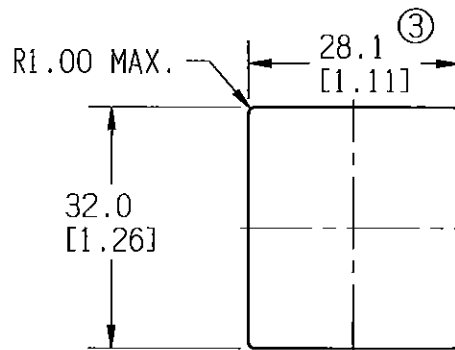
FILTER APPROVAL:

THE BEST WAY TO SELECT AND QUALIFY A FILTER IS FOR YOUR ENGINEERING TO TEST THE UNIT IN YOUR EQUIPMENT.



NOTES:

1. SOCKET COMPLIES WITH EN 60320-1.
2. LOAD TERMINALS COMPLY WITH DIN 46244, 4.8MM X 0.8MM.
3. DIMENSION APPLIES AT LABEL ONLY. FORCE REQUIRED FOR INSTALLATION.



RECOMMENDED PANEL CUTOUT ±0.1 MM THICKNESS: 0.63-2.1 MM

| 50 Ω - 50 Ω (MINIMUM) INSERTION LOSS | | | | | | | | | | PARTS SHALL COMPLY WITH TYCO ELECTRONICS 230-702 SPECIFICATION FOR HAZARDOUS SUBSTANCES | | | | | | | | | | | | | | | | | | | | | | | | | | | | | | | | | | | | | | | | | | | | | | | | | | | | | | | | | | | | | | | | | | | | | |
|--|-----|-------|---------|-----------------|--------|------|----|---|---|---|-----|-----|----|---|---|----|----|---|---|--------|-----|-------|---------|---------------------------------------|--------|------|---|----------|----|----------------|----|----|----|----|----|----|----|---|---|---|---|---|---|---|---|---|---|---|---|----------|---|----|----|----|----|----|----|---|---|---|---|---|---|---|---|---|---|---|---|---|--|--|--|--|--|--|--|--|--|
| <table border="1"> <tr> <th>FREQUENCY kHz</th> <td>.05</td><td>.15</td><td>.5</td><td>1</td><td>5</td><td>10</td><td>30</td><td>/</td><td>/</td><td>/</td><td>/</td><td>/</td><td>/</td><td>/</td><td>/</td><td>/</td><td>/</td><td>/</td><td>/</td> </tr> <tr> <th>COEFFICIENT dB</th> <td>19</td><td>30</td><td>44</td><td>49</td><td>47</td><td>44</td><td>45</td><td>/</td><td>/</td><td>/</td><td>/</td><td>/</td><td>/</td><td>/</td><td>/</td><td>/</td><td>/</td><td>/</td><td>/</td> </tr> <tr> <th>DIFF. dB</th> <td>1</td><td>10</td><td>21</td><td>26</td><td>48</td><td>51</td><td>60</td><td>/</td><td>/</td><td>/</td><td>/</td><td>/</td><td>/</td><td>/</td><td>/</td><td>/</td><td>/</td><td>/</td><td>/</td> </tr> </table> | | | | | | | | | | FREQUENCY kHz | .05 | .15 | .5 | 1 | 5 | 10 | 30 | / | / | / | / | / | / | / | / | / | / | / | / | COEFFICIENT dB | 19 | 30 | 44 | 49 | 47 | 44 | 45 | / | / | / | / | / | / | / | / | / | / | / | / | DIFF. dB | 1 | 10 | 21 | 26 | 48 | 51 | 60 | / | / | / | / | / | / | / | / | / | / | / | / | UNLESS OTHERWISE SPECIFIED TOLERANCE TO BE ±0.5 MM MATERIAL & FINISH: AS SUPPLIED | | | | | | | | | |
| FREQUENCY kHz | .05 | .15 | .5 | 1 | 5 | 10 | 30 | / | / | / | / | / | / | / | / | / | / | / | / | | | | | | | | | | | | | | | | | | | | | | | | | | | | | | | | | | | | | | | | | | | | | | | | | | | | | | | | | | | | |
| COEFFICIENT dB | 19 | 30 | 44 | 49 | 47 | 44 | 45 | / | / | / | / | / | / | / | / | / | / | / | / | | | | | | | | | | | | | | | | | | | | | | | | | | | | | | | | | | | | | | | | | | | | | | | | | | | | | | | | | | | | |
| DIFF. dB | 1 | 10 | 21 | 26 | 48 | 51 | 60 | / | / | / | / | / | / | / | / | / | / | / | / | | | | | | | | | | | | | | | | | | | | | | | | | | | | | | | | | | | | | | | | | | | | | | | | | | | | | | | | | | | | |
| DIMENSIONS ARE: MILLIMETER (INCH) | | | | | | | | | | <p>POWER LINE FILTER</p> | | | | | | | | | | | | | | | | | | | | | | | | | | | | | | | | | | | | | | | | | | | | | | | | | | | | | | | | | | | | | | | | | | | | | |
| <table border="1"> <tr> <th>SAFE STATE</th> <td>A</td><td>▷</td><td>◎</td> </tr> </table> | | | | | | | | | | SAFE STATE | A | ▷ | ◎ | THIS INFORMATION IS CONFIDENTIAL AND PROPRIETARY TO TYCO ELECTRONICS CORPORATION AND ITS WORLDWIDE SUBSIDIARIES AND AFFILIATES. IT MAY NOT BE DISCLOSED TO ANYONE OTHER THAN TYCO ELECTRONICS PERSONNEL, WITHOUT WRITTEN AUTHORIZATION FROM TYCO ELECTRONICS CORPORATION, HARRISBURG, PENNSYLVANIA USA. | | | | | | | | | | TYCO ELECTRONICS PART NO. 2-1609113-7 | | | | | | | | | | | | | | | | | | | | | | | | | | | | | | | | | | | | | | | | | | | | | | | | | | | | | | | |
| SAFE STATE | A | ▷ | ◎ | | | | | | | | | | | | | | | | | | | | | | | | | | | | | | | | | | | | | | | | | | | | | | | | | | | | | | | | | | | | | | | | | | | | | | | | | | | | |
| CVM AVAILABLE X | | | | | | | | | | <table border="1"> <tr> <th>SCALE:</th> <td>1:1</td> <th>DATE:</th> <td>30DEC09</td> <th>DRAWING NUMBER:</th> <td>1CUFS1</td> <th>REV.</th> <td>3</td> </tr> <tr> <th>DRW. BY:</th> <td>EC</td> <th>TRIG:</th> <td>EC</td> <td></td> <td></td> <td></td> <td></td> </tr> </table> | | | | | | | | | | SCALE: | 1:1 | DATE: | 30DEC09 | DRAWING NUMBER: | 1CUFS1 | REV. | 3 | DRW. BY: | EC | TRIG: | EC | | | | | | | | | | | | | | | | | | | | | | | | | | | | | | | | | | | | | | | | | | | | | | | | |
| SCALE: | 1:1 | DATE: | 30DEC09 | DRAWING NUMBER: | 1CUFS1 | REV. | 3 | | | | | | | | | | | | | | | | | | | | | | | | | | | | | | | | | | | | | | | | | | | | | | | | | | | | | | | | | | | | | | | | | | | | | | | | |
| DRW. BY: | EC | TRIG: | EC | | | | | | | | | | | | | | | | | | | | | | | | | | | | | | | | | | | | | | | | | | | | | | | | | | | | | | | | | | | | | | | | | | | | | | | | | | | | |

X-ON Electronics

Largest Supplier of Electrical and Electronic Components

Click to view similar products for [AC Power Entry Modules](#) category:

Click to view products by [TE Connectivity](#) manufacturer:

Other Similar products are found below :

[0098.0050](#) [6167.0002](#) [6609100-2](#) [7-6609955-2](#) [FKI2-50-6/M5](#) [FN361-6-06](#) [FN389-4-22](#) [FN9226B-6-02](#) [FN9233S1-10-06](#) [FN9233S1-8-06](#)
[FN9233S1B-8-06](#) [FN9233S1R-1-06](#) [FN9233S1R-12-06](#) [FN9233SB-1-06](#) [FN9233SB-12-06](#) [FN9233SB-8-06](#) [FN9233SR-10-06](#) [FN9244B-15-06HI](#) [FN9244EB-3-06](#) [FN9244EB-8-06](#) [FN9244ER-15-06](#) [FN9244ER-8-06](#) [FN9244ES1-8-06](#) [FN9244ESB-8-06](#) [FN9244R-12-06](#)
[FN9244S1-12-06](#) [FN9244S1R-3-06](#) [FN9244SB-8-06](#) [FN9244SR-6-06](#) [FN9244U-3-06](#) [FN9244U-8-06](#) [8-6609940-2](#) [PE00SSSXB](#) [Fuse-H-EUR-1](#) [Fuse-H-USA-1](#) [PM00XD000](#) [A-0701-HT-H](#) [15EJMS8](#) [1-6609941-2](#) [200JM6-2](#) [CA121003-6](#) [SK-1015\(F1-5\)](#) [161-R3015-E](#) [1-6609153-2](#) [FN323-1-05](#) [FN9233B-8-06](#) [FN9233EB-1-06](#) [FN9233ES1R-10-06](#) [FN9233R-12-06](#) [FN9233S-10-06](#)