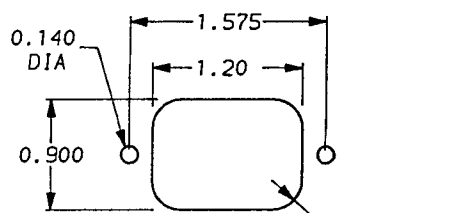
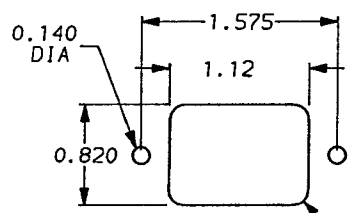
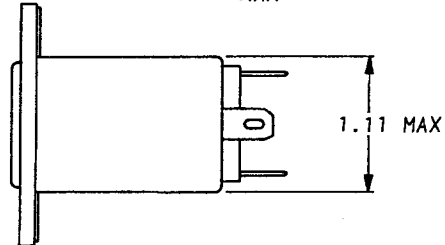
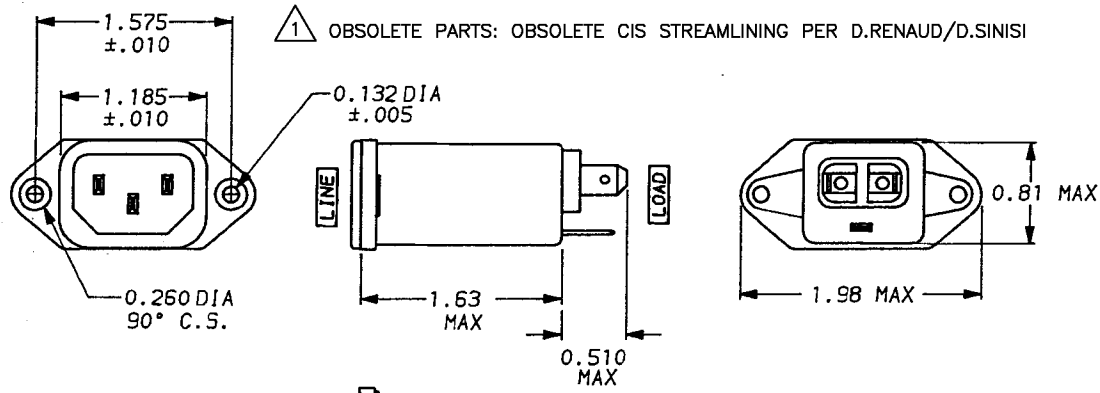


DESCRIPTION	APP'D./DATE	REV
C. Westby	11-20-91	1
ECO-09-026495	AEG/05DEC08	B1

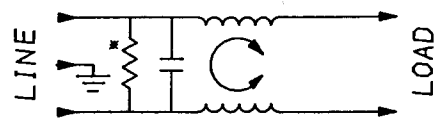
1 OBSOLETE PARTS: OBSOLETE CIS STREAMLINING PER D.RENAUD/D.SINISI



PANEL CUTOUT FRONT MOUNT
TOLERANCE ±.005

PANEL CUTOUT REAR MOUNT
TOLERANCE ±.005

6609002-1
1609002-1 OBSOLETE 1



*RESISTOR ADDED TO PRODUCT BUILT AFTER 3-30-92 (9212).

SAFETY ORGANIZATION(S)

THIS FILTER HAS BEEN FORMALLY RECOGNIZED, CERTIFIED OR APPROVED BY THE LISTED AGENCY. THEREFORE, ALL TEST/REQUIREMENTS SPECIFIED IN THE LATEST REVISION OF THE FOLLOWING AGENCY STANDARDS HAVE BEEN MET:

UL RECOGNIZED	UL 544
CSA CERTIFIED	CSA 22.2, NO.0,0.4,8
VDE APPROVED	VDE 0565-3, 0625

OPERATING SPECIFICATIONS

LINE VOLTAGE/CURRENT:	1 AMP., 120/250 VAC
LINE FREQUENCY:	1 AMP./40°C, 250 VAC
MAX. CASE RISE @ RATED CURRENT:	50-60Hz
MAX. LEAKAGE CURRENT, EACH LINE TO GROUND:	30°C
OPERATING AMBIENT TEMP. RANGE:	2µA at 120V 60 Hz
	5µA at 250V 50 Hz
	-10°C TO +40°C @ RATED CURRENT, I _r

IN AN AMBIENT, T_a, HIGHER THAN 40°C, THE MAXIMUM OPERATING CURRENT, I_o, IS AS FOLLOWS:

$$I_o = I_r \sqrt{\frac{85 - T_a}{45}}$$

RELIABILITY SPECIFICATIONS

STORAGE TEMPERATURE:	-40°C TO +85°C
HUMIDITY:	21 DAYS @ 40°C 95% RH
CURRENT OVERLOAD TEST:	6 TIMES RATED CURRENT FOR 8 SECONDS

TEST SPECIFICATIONS

INDUCTANCE:	10.0 mH NOMINAL
CAPACITANCE: (MEASURED @ 1 KHz, 0.25 VAC MAX., 25°C ±1°C)	
LINE TO GROUND:	ZERO
LINE TO LINE:	.009µF ±20%
DISCHARGE RESISTOR:	1.5 MΩ
LINE/GROUND AND LINE/LINE INSULATION RESISTANCE (W/O DISCHARGE RESISTOR):	6000 MΩ (MIN) AT 100 VDC
	20°C AND 50% RH

RECOMMENDED RECEIVING INSPECTION HIPOT

LINES TO GROUND:	1500 VAC FOR 1 MINUTE
LINE TO LINE:	1450 VDC FOR 1 MINUTE

FILTER APPROVAL

THE BEST WAY TO SELECT AND QUALIFY A FILTER IS FOR YOUR ENGINEERING TO TEST THE UNIT IN YOUR EQUIPMENT.

FREQUENCY MHz	50 _n - 50 _n (MINIMUM) INSERTION LOSS									
	.01	.05	.10	.15	.50	1	1.5	5	10	30
COMMON dB	8	21	29	32	42	45	42	32	30	19
DIFF. dB	-	-	-	-	-	5	13	28	32	25

TOLERANCE EXCEPT AS NOTED
DECIMAL: .XXX .XX .X ANGLES
ENGLISH: ±.025 ± 1°
METRIC: ±
MATERIAL:
AS SUPPLIED



POWER LINE FILTER

This document is proprietary to CORCOM INC. and is not to be reproduced nor used for manufacturing purposes except on CORCOM's order or prior written consent.

FINISH:
AS SUPPLIED

SCALE	DATE	DRG. NO.	REV.
NTS	9-19-91	1EAH1	B1
DRW. BY	ORIGINATOR		
CFW	CFW		

X-ON Electronics

Largest Supplier of Electrical and Electronic Components

Click to view similar products for [AC Power Entry Modules](#) category:

Click to view products by [TE Connectivity](#) manufacturer:

Other Similar products are found below :

[0098.0050](#) [6167.0002](#) [6609100-2](#) [7-6609955-2](#) [FKI2-50-6/M5](#) [FN361-6-06](#) [FN389-4-22](#) [FN9226B-6-02](#) [FN9233S1-10-06](#) [FN9233S1-8-06](#)
[FN9233S1B-8-06](#) [FN9233S1R-1-06](#) [FN9233S1R-12-06](#) [FN9233SB-1-06](#) [FN9233SB-12-06](#) [FN9233SB-8-06](#) [FN9233SR-10-06](#) [FN9244B-15-06HI](#) [FN9244EB-3-06](#) [FN9244EB-8-06](#) [FN9244ER-15-06](#) [FN9244ER-8-06](#) [FN9244ES1-8-06](#) [FN9244ESB-8-06](#) [FN9244R-12-06](#)
[FN9244S1-12-06](#) [FN9244S1R-3-06](#) [FN9244SB-8-06](#) [FN9244SR-6-06](#) [FN9244U-3-06](#) [FN9244U-8-06](#) [8-6609940-2](#) [PE00SSSXB](#) [Fuse-H-EUR-1](#) [Fuse-H-USA-1](#) [PM00XD000](#) [A-0701-HT-H](#) [15EJMS8](#) [1-6609941-2](#) [200JM6-2](#) [CA121003-6](#) [SK-1015\(F1-5\)](#) [161-R3015-E](#) [1-6609153-2](#) [FN323-1-05](#) [FN9233B-8-06](#) [FN9233EB-1-06](#) [FN9233ES1R-10-06](#) [FN9233R-12-06](#) [FN9233S-10-06](#)