

Products → Low Voltage Products and Systems → Connection Devices → Terminal Blocks Accessories  
→ Inner Deck Jumper Bars

## General Information

<b>Extended Product Type:</b>	ITV6
<b>Product ID:</b>	1SNA168962R0400
<b>EAN:</b>	3472591689624
<b>Catalog Description:</b>	ITV6 Inner Deck Jumper Bars

## Ordering

<b>Minimum Order Quantity:</b>	50 piece
<b>Customs Tariff Number:</b>	85369010

## Dimensions

<b>Product Net Weight:</b>	3 g
----------------------------	-----

## Technical

<b>Function:</b>	Inner Deck Jumper Bars
<b>Mounting on DIN Rail:</b>	G32 (32 x 15 mm Mounting Rail) acc. to IEC 60715 TH35-7.5 (35 x 7.5 mm Mounting Rail) acc. to IEC 60715 TH35-15 (35 x 15 mm Mounting Rail) acc. to IEC 60715
<b>Suitable For:</b>	M4/6.D2 M4/7.D

## Certificates and Declarations (Document Number)

<b>Declaration of Conformity - CE:</b>	1SND225002C1007
--	-----------------

## Classifications

<b>Object Classification Code:</b>	X
<b>ETIM 4:</b>	EC000489 - Cross-connector for terminal block
<b>ETIM 5:</b>	EC000489 - Cross-connector for terminal block
<b>ETIM 6:</b>	EC000489 - Cross-connector for terminal block

## Container Information

<b>Package Level 1 Units:</b>	50 piece
<b>Package Level 1 Width:</b>	125 mm
<b>Package Level 1 Depth / Length:</b>	170 mm
<b>Package Level 1 Height:</b>	5 mm
<b>Package Level 1 Gross Weight:</b>	0.15 kg

Package Level 1 EAN: 3472591689624

Package Level 2 Units: 2500 piece

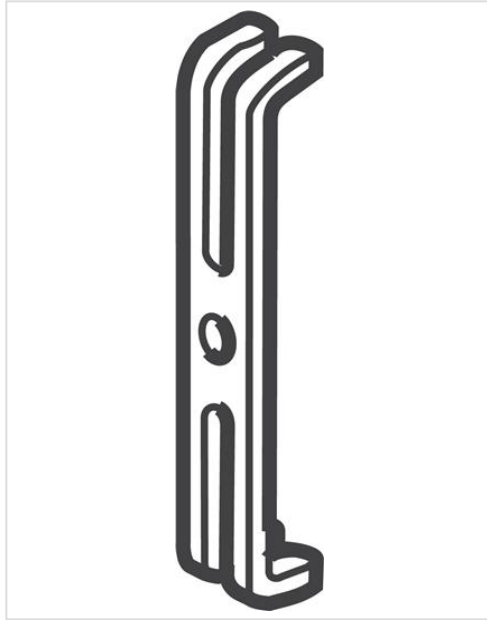
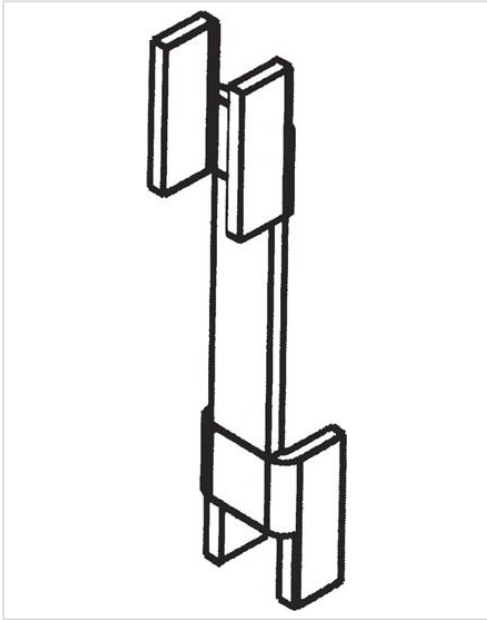
Package Level 2 Width: 300 mm

Package Level 2 Depth / Length: 500 mm

Package Level 2 Height: 150 mm

Package Level 3 Units: 120000 piece

Product Packing Type: Bag



## X-ON Electronics

Largest Supplier of Electrical and Electronic Components

*Click to view similar products for [DIN Rail Terminal Blocks](#) category:*

*Click to view products by [TE Connectivity](#) manufacturer:*

Other Similar products are found below :

[00110420202](#) [00175550302](#) [CTS25U/BL](#) [9123140000](#) [RBO 5-T-B-HEX](#) [90.070](#) [90.202](#) [912314](#) [260-301\\_NR](#) [280-560](#) [280-564](#) [281-611/281-542](#) [281-673/281-411](#) [281-994](#) [283-317](#) [283-607](#) [264-724](#) [264-726](#) [280-530](#) [280-555](#) [280-619](#) [281-610](#) [281-622/281-417](#) [284-317](#) [35956](#) [USK 10](#) [102510](#) [1126840000](#) [5520682](#) [EMH 25-ZE30](#) [UM 45-SEFE M.NUT BK](#) [1-591651-1](#) [8671050000](#) [264-706](#) [281-664](#) [592814-1](#) [592814-3](#) [UMSTBVK 2 5/ 5-STF-5 08](#) [NRA37-12](#) [2002-1203](#) [2002-1205](#) [270-480](#) [CMT4/Y](#) [CMT4/G](#) [90.001](#) [CTS95/120N](#) [CSTSN6U](#) [0363660000](#) [DK 4QV/35](#) [EB 2- 8 0202154](#) [PT 2,5-TG 3210185](#)