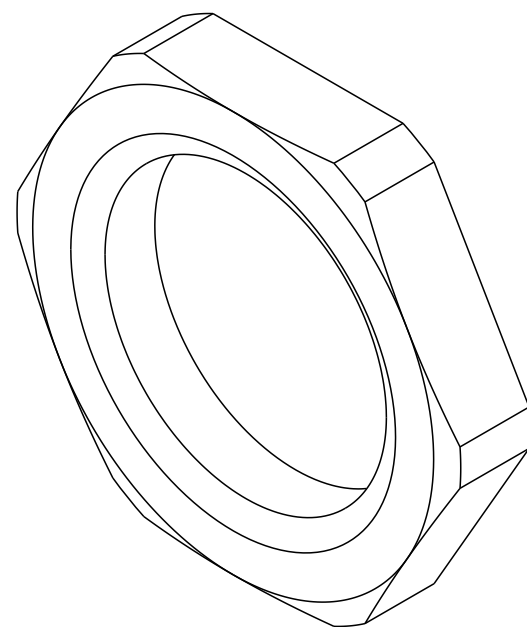
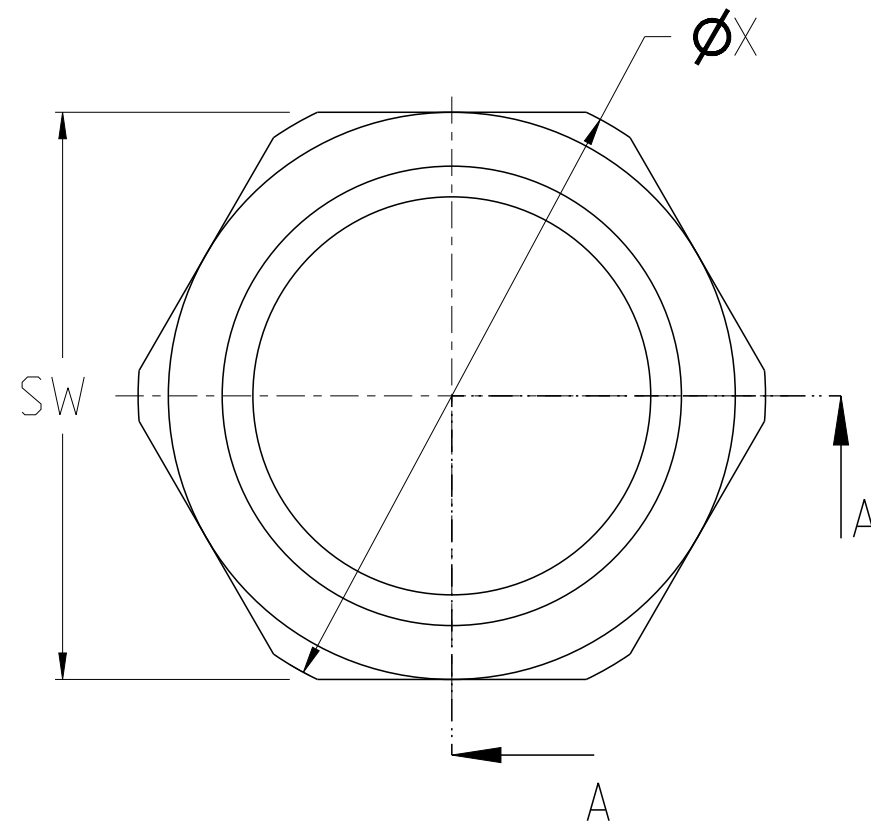
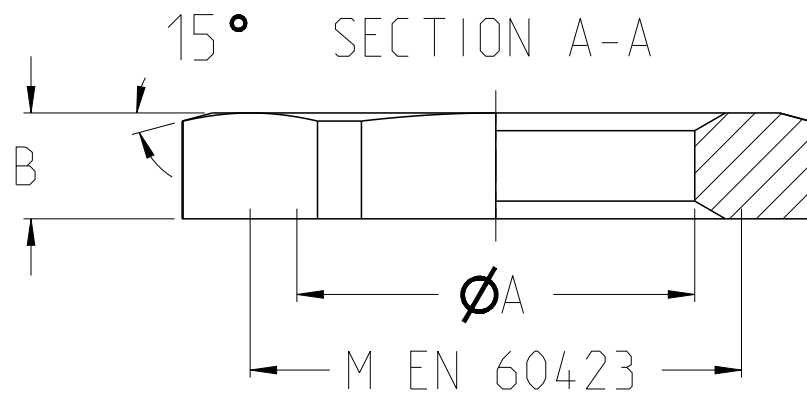



P	LTR	DESCRIPTION	DATE	DWN	APVD
	A	INITIAL REVISION	16FEB2022	GN	RM



TCPN	TE Product Type (Entrelec)	M EN 60423	ØA	B	ØX	SW
1SNG608001R0000	EM-LN-M12-MET-A	M12x1.5	10.37-10.67	2.8	16.6	15
1SNG608002R0000	EM-LN-M16-MET-A	M16x1.5	14.37-14.67	3.0	21.0	19
1SNG608003R0000	EM-LN-M20-MET-A	M20x1.5	18.37-18.67	3.5	26.5	24
1SNG608004R0000	EM-LN-M25-MET-A	M25x1.5	23.37-23.67	4.0	33.0	30
1SNG608005R0000	EM-LN-M32-MET-A	M32x1.5	30.37-30.67	5.0	39.5	36
1SNG608006R0000	EM-LN-M40-MET-A	M40x1.5	38.37-38.67	5.0	51.0	46
1SNG608007R0000	EM-LN-M50-MET-A	M50x1.5	48.37-48.67	5.0	66.0	60
1SNG608008R0000	EM-LN-M63-MET-A	M63x1.5	61.37-61.67	6.0	77.0	70

THIS DRAWING IS A CONTROLLED DOCUMENT.		DWN 16FEB2022 N Hunashikatti, Girish	 TE Connectivity	
DIMENSIONS: mm		CHK 16FEB2022 Rajan n. Kasi		
TOLERANCES UNLESS OTHERWISE SPECIFIED:		APVD 16FEB2022 Rafeeq. Mohd	NAME M-LOCK-NUT-METAL	
0 PLC ±1 1 PLC ±1 2 PLC ±1 3 PLC ±1 4 PLC ±1 ANGLES ±		PRODUCT SPEC M-LOCK-NUT-METAL	RESTRICTED TO	
MATERIAL Brass		FINISH Nickel Plated	APPLICATION SPEC -	SIZE A3
		WEIGHT -	CAGE CODE 00779	DRAWING NO C=1SNP061321-0100
		CUSTOMER DRAWING	SCALE 5:1	SHEET 1 OF 1
				REV A1

## X-ON Electronics

Largest Supplier of Electrical and Electronic Components

*Click to view similar products for [Rectangular MIL Spec Connectors](#) category:*

*Click to view products by [TE Connectivity](#) manufacturer:*

Other Similar products are found below :

[891-011-15SA2-BSST](#) [M32139/03-B06ST](#) [65002-062](#) [M85049/28-1](#) [M85049/28-2](#) [77058-22-55PN](#) [86.030.0053.0](#) [GMCT26M0E100JC](#)  
[BACC65CAMA](#) [890-009-31SA2-BRT1T](#) [27963-20T12](#) [SIM2N40NC3](#) [SIM2S100A](#) [1604996-2](#) [SMD25PN90L-4055](#) [22628-10-6P-791](#)  
[GMCT66F0T0000](#) [CTD160E01F-6148](#) [CTJ-3D-12](#) [CTJ920E06N-513](#) [CTL-16-090](#) [CY4600-000](#) [CY4601-000](#) [38111-14-15SN](#)  
[TMN2N037PC2DM018S](#) [TMN2N051SC2DM018T](#) [MMD25-0071P1](#) [33526M11-08PC](#) [33526M11-08PE](#) [3355-5869-000](#) [DMC-M99-01AN](#)  
[ZPF000000000106310](#) [105979-31](#) [SIM2N40NC1](#) [SIM2N40NC2](#) [SIME2022PNR](#) [TMN2N009SC2DM018T](#) [ZPF000000000015295](#)  
[ZPF000000000134011](#) [ZPF000000000106308](#) [ZPF000000000102759](#) [CTG-20-08-513](#) [5634-201-03158](#) [5634-202-03758](#) [MMH43-0051J1](#)  
[MMH43-0091J1](#) [MMB41-0071K1](#) [EN4165A20-221BA](#) [EI-1470-2400](#) [507-002CH](#)