



## SNK TERMINAL BLOCK FOR FUSE

FOR 5X20 AND 5X25 MM FUSES  
PI-SPRING (PUSH-IN & SPRING) TECHNOLOGY 4 MM<sup>2</sup>

Combine high performance with compact dimensions:

- 800 V IEC 300 V UL
- Low profile
- Compliant with IEC 60947-7 -3 standard
- With or without blown fuse indicator



### EASY TO INSTALL

#### Clear identification

- High visibility thanks to 2 horizontal top markers
- Flat “SNK” marking surface

#### Easy wiring

- PI-Spring technology offers 2 technologies in 1 connection (Push-In & Spring)
- Angled front connection for easier access
- Screwdriver is locked during wiring process
- Assembly rod allows 2, 3 & 4 poles assemblies



### INCREASED PRODUCTIVITY

#### Reduced wiring and assembly costs

- Push-in connection saves up to 50% installation time compared to screw technology
- Quickly identify the defective circuit thanks to the blown fuse indicator (with low leakage current < 0.5 mA)
- Only 2 versions of blown fuse indicator to cover from 24 V to 250 V AC/DC
- Dia. 2 mm test sockets on each side allow easy voltage or current testing

#### Space saving

- Low profile fuse holder allows installation in small boxes with height constraints



### FOR MANY NEEDS

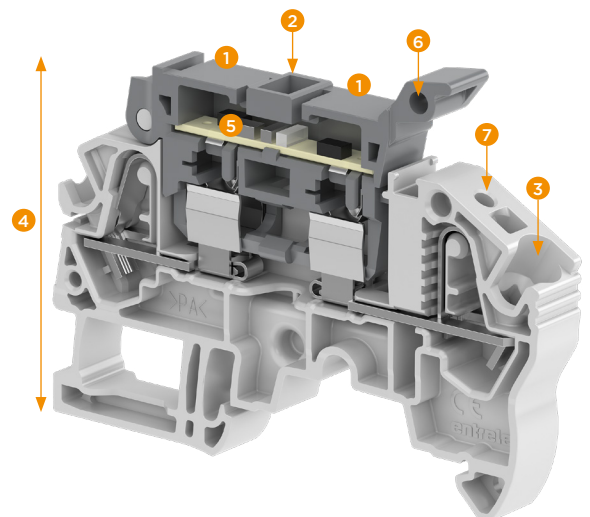
#### World-class certifications


- Broad standard package: IEC / UL / EAC / CSA

#### Safety

- IP20 finger safe
- Compliant with IEC 60947-7 -3 standard

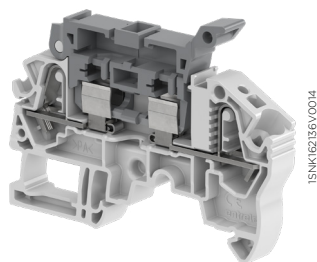
### FEATURES



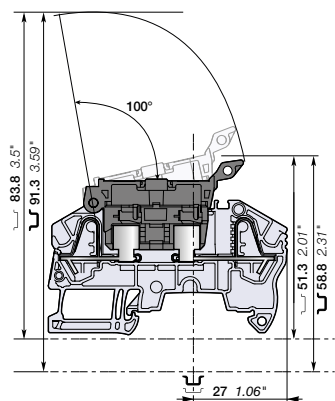
- 1 Two top SNK markers for high visibility
- 2 Window for blown fuse indicator
- 3 Cross section: 4 mm<sup>2</sup> with insulated ferrule
- 4 Low profile
- 5 Blown fuse indicator with large operating voltage range
- 6 Hole for assembly rod 
- 7 Test sockets on each side

# ZK4-SF1 PI-Spring terminal blocks

For 5x20 and 5x25 fuses - 8 mm 0.315 in spacing



ZK4-SF1



8 mm 0.315 in spacing

## Description

Protect your circuits with 5x20 and 5x25 fuses terminal blocks compliant with IEC 60947-7-3 standard (fuse not supplied with the terminal blocks).

- Simplify the distribution thanks to the 1 jumper channel

## Ordering details

Description	Color	Type	Part Number	Pkg qty	Weight (1 pce) g
Fuse	Grey, dark grey	ZK4-SF1	ISNK708410R0000	50	12.70

## Main technical data

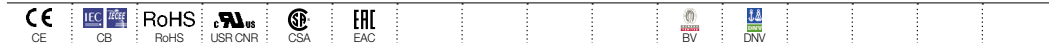
Connecting capacity	IEC	UL - CSA	Rail	TH 35-75, TH 35-15
<b>1 conductor per clamp</b>	Rigid: Solid/Stranded	0.5 ... 6 mm <sup>2</sup>	Wire stripping length	12.5 mm 0.492 in
	Flexible without ferrule	0.5 ... 4 mm <sup>2</sup>		
	Flexible with non insulated ferrule	0.5 ... 4 mm <sup>2</sup>		
	Flexible with insulated ferrule	0.5 ... 4 mm <sup>2</sup>		
<b>2 conductors per clamp</b>	Flexible with twin ferrule	0.5 ... 1 mm <sup>2</sup>	Tool (for flexible conductor without ferrule)	Flat screwdriver Ø 3.5 mm Ø 0.138 in
<b>Rated current / Rated cross section</b>		6.3 A / 4 mm <sup>2</sup>	7.5 A / 12 AWG	
<b>Rated voltage</b>		800 V	300 V	
<b>Impulse withstand voltage</b>		8000 V		
<b>Protection</b>		IP20	NEMA 1	

## Mounting instructions

The fuse holder must be first disconnected prior any fuse replacement. Mount your fuse safely without touching any active part: put the fuse into the hooks of the fuse holder shutter; at the closing of the shutter, the fuse is reliably in place in the fuse holder.

Separate arrangement		Assembly composed of 1 fuse terminal block in between non fuse terminal blocks	Overload and short-circuit protection	2.5 W
			Exclusive short-circuit protection	4 W
Compound arrangement		Assembly composed of 5 fuse terminal blocks	Overload and short-circuit protection	1.6 W
			Exclusive short-circuit protection	4 W

The connecting capacity data for one Rigid: Solid/Stranded, or one Flexible conductor (when applicable) is a mandatory information required by IEC, UL and CSA standards (Copper conductors). All other data are provided as supplementary information only. For more details, please consult our CB, UL or CSA certificates and technical datasheet available on <http://www.TE.com>



## Accessories

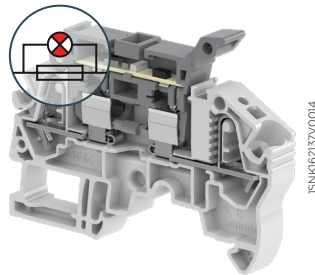
Description	Color	Type	Part Number	Pkg qty	Weight (1 pce) g
<b>1. End stops</b>	Dark grey	BAZ1	ISNK900002R0000	50	5.30
<b>2. End sections</b>	Dark grey	EK4-SF1	ISNK708912R0000	20	2.30
<b>3. Jumper bars</b>	Orange	JB8-2	ISNK908302R0000	50	2.70
		JB8-3	ISNK908303R0000	50	4.10
		JB8-4	ISNK908304R0000	50	5.60
		JB8-5	ISNK908305R0000	40	7.00
		JB8-10	ISNK908310R0000	20	14.20
<b>4. Assembly rods</b>		TGA8	ISNA168672R1100	10	1.00
		TGA8	ISNA168672R1200	10	1.50
		TGA8	ISNA168672R1300	10	2.00
<b>5. Spring retaining rings</b>		ANT	ISNA168675R1400	10	
<b>6. Neutral cartridge</b>		CN5	ISNA179371R1600	10	3.90
<b>7. Test adapters</b>	Dark grey	TP2	ISNK900203R0000	20	1.70
		TP4	ISNK900205R0000	20	2.40
<b>8. Test connectors</b>	Dark grey	TC5	ISNK900200R0000	10	5.20
		TC5-R1	ISNK900201R0000	10	5.20
<b>9. Spacers</b>	Dark grey	ES-TC6	ISNK900105R0000	10	0.80
<b>10. Terminal block markers</b>		MC812	ISNK160000R0000	22	10.00
		MC812PA	ISNK169999R0000	20	14.00

Complete list of accessories is indicated in the terminal block datasheet including end stops. Some accessories such as jumper bars may modify the terminal block's ratings: Complete information available in the accessories section of the catalog.

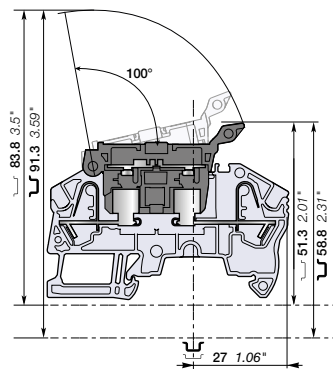
Technical data valid for copper conductors only.

# ZK4-SF1-R PI-Spring terminal blocks

For 5x20 and 5x25 fuses - 8 mm 0.315 in spacing



ZK4-SF1-R1



8 mm 0.315 in spacing

## Description

Protect your circuits with 5x20 and 5x25 fuse terminal blocks compliant with IEC 60947-7-3 standard (fuse not supplied with the terminal blocks).

- Simplify the distribution thanks to the 1 jumper channel.
- Quickly identify the defective circuit thanks to the blown fuse indicator (with leakage current < 0.5 mA).

## Ordering details

Description	Color	Type	Part Number	Pkg qty	Weight (1 pce) g
Fuse with blown fuse indicator 24 ... 110 V AC / DC	Grey, dark grey	ZK4-SF1-R1	1SNK708411R0000	50	14.70
with blown fuse indicator 115 ... 250 V AC / DC		ZK4-SF1-R3	1SNK708413R0000	50	14.70

## Main technical data

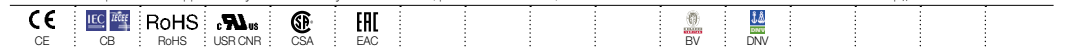
Connecting capacity	IEC	UL - CSA	Rail	TH 35-75, TH 35-15	
<b>1 conductor per clamp</b>	Rigid: Solid/Stranded	0.5 ... 6 mm <sup>2</sup>	26 ... 10 AWG	Wire stripping length	
	Flexible without ferrule	0.5 ... 4 mm <sup>2</sup>		12.5 mm 0.492 in	
	Flexible with non insulated ferrule	0.5 ... 4 mm <sup>2</sup>	26 ... 12 AWG	Tool (for flexible conductor without ferrule)	Flat screwdriver Ø 3.5 mm Ø 0.138 in
	Flexible with insulated ferrule	0.5 ... 4 mm <sup>2</sup>	26 ... 12 AWG		
<b>2 conductors per clamp</b>	Flexible with twin ferrule	0.5 ... 1 mm <sup>2</sup>	26 ... 18 AWG		
<b>Rated current / Rated cross section</b>		6.3 A / 4 mm <sup>2</sup>	7.5 A / 12 AWG		
<b>Rated voltage</b>		500 V	150 V		
<b>Impulse withstand voltage</b>		6000 V			
<b>Protection</b>		IP20	NEMA 1		

## Mounting instructions

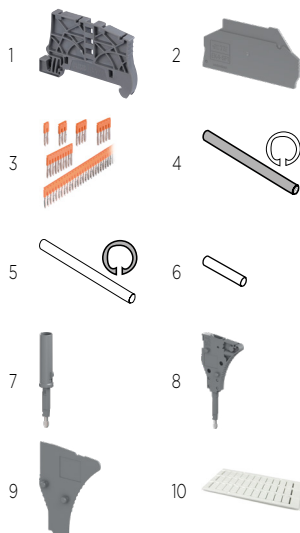
The fuse holder must be first disconnected prior any fuse replacement. Mount your fuse safely without touching any active part: put the fuse into the hooks of the fuse holder shutter; at the closing of the shutter, the fuse is reliably in place in the fuse holder.

Separate arrangement		Assembly composed of 1 fuse terminal block in between non fuse terminal blocks	Overload and short-circuit protection	2.5 W
			Exclusive short-circuit protection	4 W
Compound arrangement		Assembly composed of 5 fuse terminal blocks	Overload and short-circuit protection	1.6 W
			Exclusive short-circuit protection	4 W

The connecting capacity data for one Rigid: Solid/Stranded, or one Flexible conductor (when applicable) is a mandatory information required by IEC, UL and CSA standards (Copper conductors). All other data are provided as supplementary information only. For more details, please consult our CB, UL or CSA certificates and technical datasheet available on <http://www.TE.com>



## Accessories



Description	Color	Type	Part Number	Pkg qty	Weight (1 pce) g	
1. <b>End stops</b>	Dark grey	BAZ1	1SNK900002R0000	50	5.30	
2. <b>End sections</b>	Dark grey	EK4-SF1	1SNK708912R0000	20	2.30	
3. <b>Jumper bars</b>	Orange	2 poles	JB8-2	1SNK908302R0000	50	2.70
		3 poles	JB8-3	1SNK908303R0000	50	4.10
		4 poles	JB8-4	1SNK908304R0000	50	5.60
		5 poles	JB8-5	1SNK908305R0000	40	7.00
		10 poles	JB8-10	1SNK908310R0000	20	14.20
4. <b>Assembly rods</b>		2 poles	TGA8	1SNA168672R1100	10	1.00
		3 poles	TGA8	1SNA168672R1200	10	1.50
		4 poles	TGA8	1SNA168672R1300	10	2.00
5. <b>Spring retaining rings</b>		ANT	1SNA168675R1400	10		
6. <b>Neutral cartridge</b>		5x25	CN5	1SNA179371R1600	10	3.90
7. <b>Test adapters</b>	Dark grey	For test plugs DIA 2 mm 0.079 in	TP2	1SNK900203R0000	20	1.70
		For test plugs DIA 4 mm 0.157 in	TP4	1SNK900205R0000	20	2.40
8. <b>Test connectors</b>	Dark grey	5.2 mm 0.205 in spacing	TC5	1SNK900200R0000	10	5.20
		End module, 5.2 mm 0.205 in	TC5-R1	1SNK900201R0000	10	5.20
9. <b>Spacers</b>	Dark grey	0.8 mm 0.031 in	ES-TC6	1SNK900105R0000	10	0.80
10. <b>Terminal block markers</b>			MC812	1SNK160000R0000	22	10.00
			MC812PA	1SNK169999R0000	20	14.00

Complete list of accessories is indicated in the terminal block datasheet including end stops. Some accessories such as jumper bars may modify the terminal block's ratings: Complete information available in the accessories section of the catalog.

Technical data valid for copper conductors only.

**te.com**

© 2023 TE Connectivity Ltd. family of companies. All Rights Reserved.

ENTRELEC, TE Connectivity, TE connectivity (logo) and Every Connection Counts are trademarks. All other logos, products and/or company names referred to herein might be trademarks of their respective owners.

While TE has made every reasonable effort to ensure the accuracy of the information in this brochure, TE does not guarantee that it is error-free, nor does TE make any other representation, warranty or guarantee that the information is accurate, correct, reliable or current. TE reserves the right to make any changes to the information contained herein without prior notice. TE Connectivity assumes only those obligations set forth in the terms and conditions for this product and shall in no event be liable for any incidental, indirect, or consequential damages arising out of the sale, resale, use, or misapplication of the product. TE expressly disclaims any implied warranties with respect to the information contained herein, including, but not limited to, implied warranties of merchantability or fitness for a particular purpose. Dimensions, specifications and/or information contained herein are for reference purposes only and are subject to change without notice. Consult TE for the latest dimensions, specifications and/or information. Users of TE Connectivity products must make their own assessment as to whether the respective product is suitable for the respective desired application.

08/23 INDUSTRIAL / TERMINAL BLOCKS FOR FUSE / BROCHURE / EN

## **BROCHURE**

TE Connectivity  
3, rue Jean Perrin  
69680 Chassieu cedex  
France  
Tel: +33 481923100

## X-ON Electronics

Largest Supplier of Electrical and Electronic Components

*Click to view similar products for [DIN Rail Terminal Blocks](#) category:*

*Click to view products by [TE Connectivity](#) manufacturer:*

Other Similar products are found below :

[00110420202](#) [00175550302](#) [CTS25U/BL](#) [9123140000](#) [RBO 5-T-B-HEX](#) [90.070](#) [90.202](#) [912314](#) [260-301\\_NR](#) [280-560](#) [280-564](#) [281-611/281-542](#) [281-673/281-411](#) [281-994](#) [283-317](#) [283-607](#) [264-724](#) [264-726](#) [280-530](#) [280-555](#) [280-619](#) [281-610](#) [281-622/281-417](#) [284-317](#) [35956](#) [USK 10](#) [102510](#) [1126840000](#) [5520682](#) [EMH 25-ZE30](#) [UM 45-SEFE M.NUT BK](#) [1-591651-1](#) [8671050000](#) [264-706](#) [281-664](#) [592814-1](#) [592814-3](#) [UMSTBVK 2 5/ 5-STF-5 08](#) [NRA37-12](#) [2002-1203](#) [2002-1205](#) [270-480](#) [CMT4/Y](#) [CMT4/G](#) [90.001](#) [CTS95/120N](#) [CSTSN6U](#) [0363660000](#) [DK 4QV/35](#) [EB 2- 8 0202154](#) [PT 2,5-TG 3210185](#)