



DBL POWER DISTRIBUTION BLOCKS

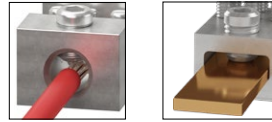
ENTRELEC Terminal Blocks

DBL power distribution blocks



The clever distribution concept

The exclusive compact and modular design of our power distribution blocks allows easy installation combined with a great flexibility of use.



Easy to install

3 configurations in 1 product:

Single pole splitter: split of power main input into several outputs

Multiple poles splitter: interlocking function and ready to use marking kit (L1, L2, L3, N, PE, +, -) delivered with each block

Grouping: of several inputs into 1 output (solar application).

Flexible cover facilitates identification & wiring:

- Reversible, two directions opening, snap-on
- All wiring data's and specifications visible on top.



Space saving

Panel space saving:

Save up to 50 % rail space compare to conventional distribution bars thanks to our modular compact design

1 500 V DC:

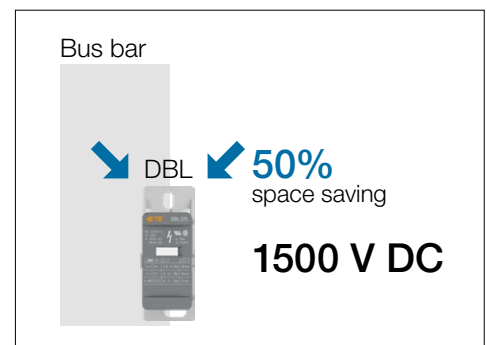
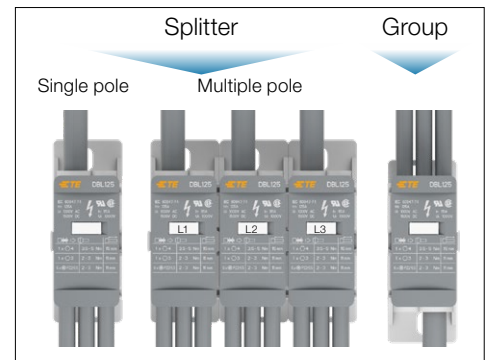
Voltage rating adapted to most recent solar inverters requirements.



Increased productivity

Reduced wiring, inventories, hardware and assembly costs:

- Reduce assembly time by 80 % compared to conventional systems.
- Our modular and touch proof concept eliminates the needs for bus bars, isolators, fasteners, protection screens...
- Accept **aluminum & copper** conductors
- 1 product in stock for **3 possible** configurations.



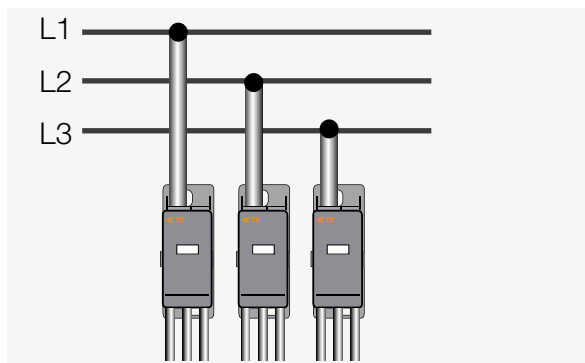
DBL power distribution blocks

1 product, 2 applications

Distributing power in industrial and commercial panels HVAC, machinery, power distribution unit (PDU), commercial panel

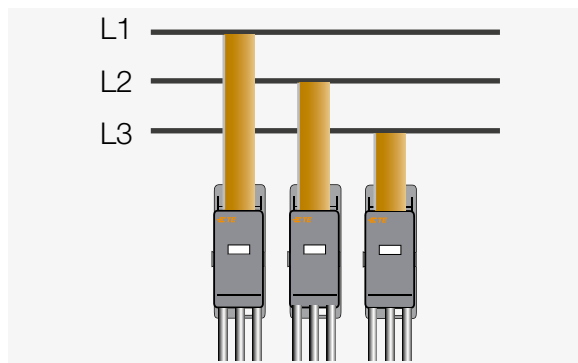
3 Phases

DBL80, DBL125, DBL160, DBL175, DBL250, DBL400, DBL125-3, DBL175-C-3



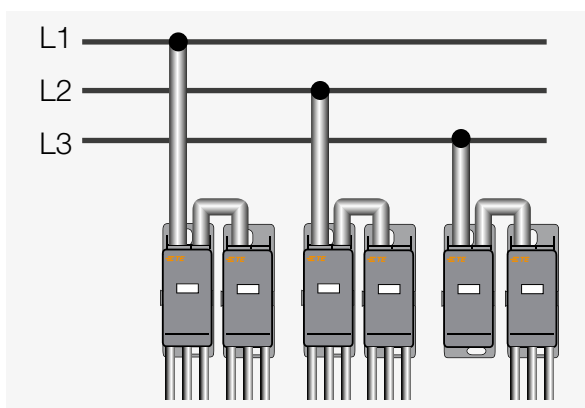
3 Phases for flat conductor

DBL250-F, DBL500-F



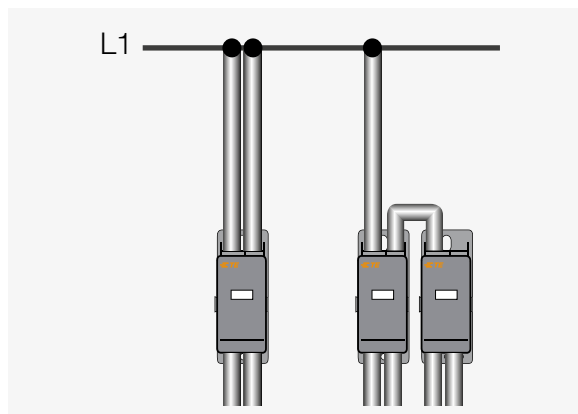
3 Phases with jumpering wire

DBL80, DBL125, DBL160, DBL175, DBL400-PV, DBL125-3, DBL175-C-3 and DBL500-22



2 in/2 out configuration

DBL500-22

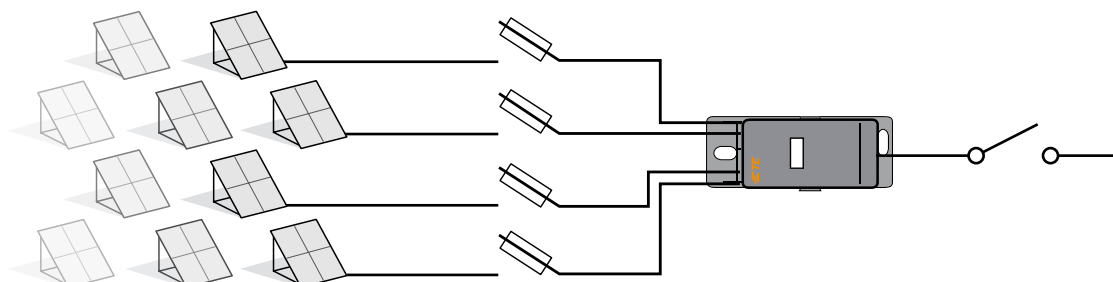


Combining PV strings in one single output PV combiner box, central inverter in a solar power plant

Up to 12 PV strings

DBL80...400

DBL400-PV specifically designed for solar application with 12 inputs of 16 mm².



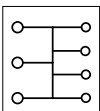
DBL power distribution blocks

Range overview

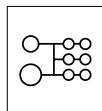
Single pole, solar, three poles, flat conductor and 2 in/2 out

Single pole

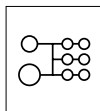
DBL80
7 connections



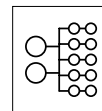
DBL125
8 connections



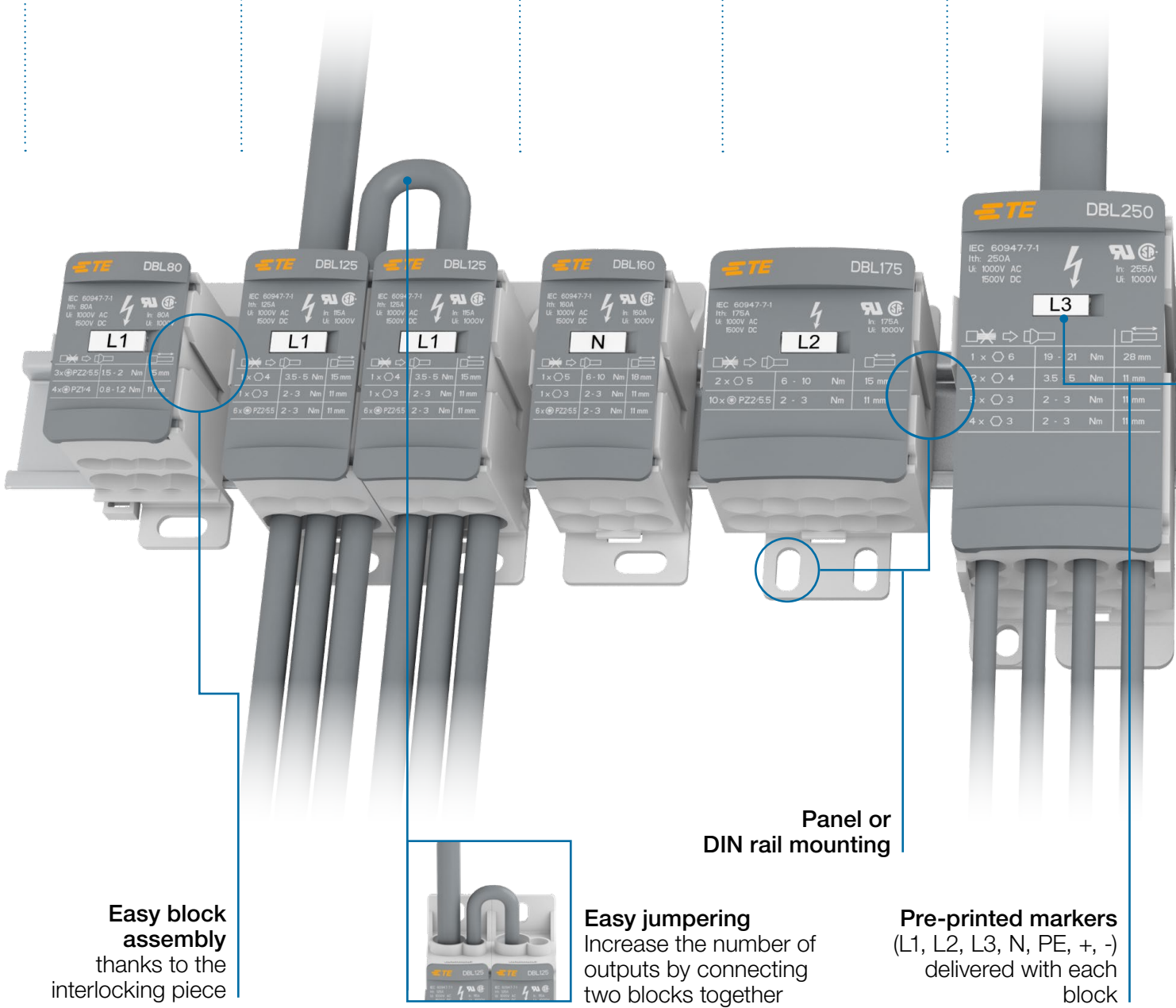
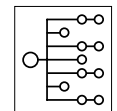
DBL160
8 connections



DBL175
12 connections



DBL250 and DBL400
12 connections



Panel or DIN rail mounting

Easy block assembly
thanks to the interlocking piece



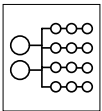
Easy jumpering
Increase the number of outputs by connecting two blocks together

Pre-printed markers
(L1, L2, L3, N, PE, +, -) delivered with each block



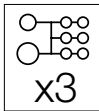
Solar

DBL400-PV
14 connections



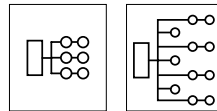
Three poles

**DBL125-3 and
DBL175-C-3**
8x3 connections



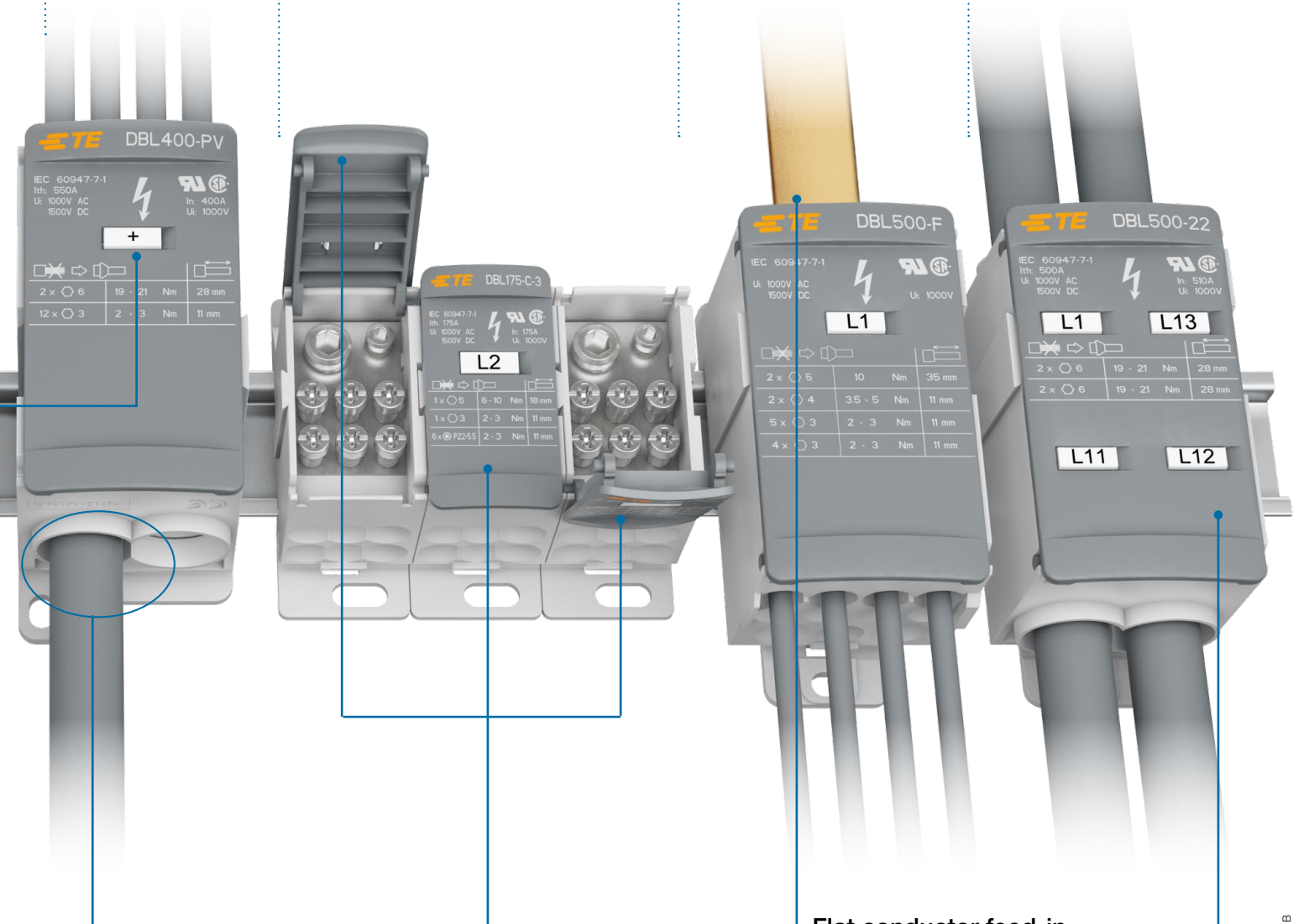
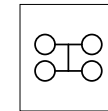
Flat conductor

**DBL250-F and
DBL500-F**
7 and 12 connections



2 in/2 out

DBL500-22
4 connections



**Combining
of 12 photovoltaic strings**
to collect solar energy up to
1500 V DC (IEC), 1000 V DC (UL)

**Flexible cover for
easy wiring:**

- Two directions opening
- Removable & snap-on

Flat conductor feed-in

**Main technical data
printed on the cover and
visible from top**

DBL power distribution blocks

Panorama



Input/ Output
Round conductors

Single pole



		Number of connections		7	8	8	12	12	12
Max current		Cross section							
IEC	UL								
Cu 80 A	80 A	16 mm²	4 AWG	DBL80					
Al 63 A	-	16 mm²	-						
Cu 125 A	115 A	35 mm²	2 AWG		DBL125				
Al 100 A	-	35 mm²	-						
Cu 160 A	160 A	70 mm²	2/0 AWG			DBL160			
Al 135 A	-	70 mm²	-						
Cu 175 A	175 A	70 mm²	2/0 AWG				DBL175		
Al 135 A	-	70 mm²	-						
Cu 250 A	255 A	120 mm²	250 Kcmil					DBL250	
Al 200 A	-	120 mm²	-						
Cu 400 A	335 A	185 mm²	400 Kcmil						DBL400
Al 300 A	-	185 mm²	-						
Cu 500 A	510 A	95 mm²	250 Kcmil						
Cu 550 A	400 A	95 mm²	250 Kcmil						



Input:
Flat conductors
Output:
Round conductors

Flat conductors



		Number of connections		7	12
Max current		Max cross section			
IEC	UL				
Cu 250 A	250 A	15.5 x 7.5 mm		DBL250-F	
					DBL500-F Coming soon

Three poles



8x3



8x3



DBL125-3

DBL175-C-3

2 in/2 out



4



DBL500-22

Solar



14



DBL400-PV

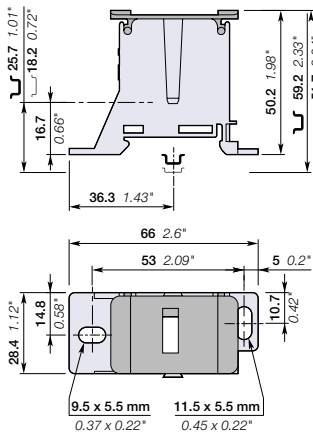
DBL80 power distribution blocks

Single pole - 28.4 mm 1.11 in spacing



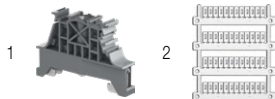
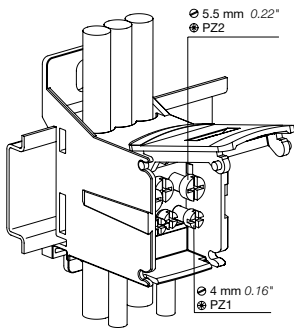
1SNL16602R00014

DBL80



28.4 mm 1.11 in spacing

Mounting instructions



Description

- 3 configurations: distribute unipolar and multipolar power lines, or combine several inputs
- Mount it on Din rail or plate and save up to 50% rail space compared to conventional copper bars
- Reduce the assembly time by 80% by avoiding to use fastening and isolating components
- Increase the number of outputs by using the optional input and connecting two DBL together
- Easy identification with the reversible cover and delivered pre-printed markers L1, L2, L3, N, PE, +, -.

Ordering details

Description	Color	Type	Part Number	Pkg qty	Weight 1 pce g
Feed-through Single pole distribution, 7 connections	Grey	<input type="checkbox"/> DBL80	1SNL308010R0000	1	70

Main technical data

Connecting capacity		IEC	UL
Max current / Cross section	Copper Aluminium	80 A / 16 mm ² 63 A / 16 mm ²	80 A / 4 AWG
Rated voltage		1000 V AC / 1500 V DC	1000 V
Rated impulse voltage		8 kV	
Short-time withstand current (Icw 1s)		1920 A	
Short Circuit Current Rating (SCCR)			100 kA
Rated peak withstand current (Ipk)		27 kA	
Protection		IP20	NEMA 1

The connecting capacity data for one Rigid - Solid / Stranded - Flexible conductor (when applicable) is a mandatory information required by IEC, UL and CSA standards (Copper conductors). All other data are provided as supplementary information only. For more details, please consult our CB, UL or CSA certificates and technical datasheet available on <http://www.TE.com>



Mounting & wiring instructions

Rail TH 35-7.5, TH 35-15

Connection Number	Size	Wire type	Wire stripping length	Tool	Torque
Input					
3 x	Ø 6.6 mm Ø 0.26 in	2.5 ... 16 mm ² 14 ... 6 AWG	2.5 ... 16 mm ² 14 ... 4 AWG	15 mm 0.59 in	5.5 mm 0.22 in 1.5 ... 2 Nm 13.5 ... 18 lb.in
Output					
4 x	Ø 4.5 mm Ø 0.18 in	2.5 ... 6 mm ² 14 ... 10 AWG	2.5 ... 6 mm ² 14 ... 10 AWG	11 mm 0.43 in	4 mm 0.16 in 0.8 ... 1.2 Nm 7.2 ... 10.8 lb.in

Not allowed	Flexible with ferrule	Solid	Rigid stranded
Flexible without ferrule (IEC V-K, UL class G...K)	Flexible with ferrule (IEC V-K, UL class G...K)	Solid (IEC V-U class 1, UL solid)	Rigid stranded (IEC V-R class 2, UL class B/C)

⊙ Allen key ⊙ Posidriv - flat screwdriver

Accessories

Description	Color	Type	Part Number	Pkg qty	Weight 1 pce g
1 End stops	10 mm	0.394 in	Dark grey <input checked="" type="checkbox"/> BAM4	1SNK900001R0000	50 14.00
	5.2 mm	0.205 in	BAZ1	1SNK900002R0000	50 5.30
	10 mm	0.394 in	BAZH1	1SNK900102R0000	20 24.00
2 Terminal block markers	Blank marker	White	<input type="checkbox"/> MG-CPM 13 41790	1SNB041790R0512	1960 0.236
	Blank card	Green	<input checked="" type="checkbox"/> MC512PA-GN	1SNK149997R0000	20 10.00
		Blue	<input checked="" type="checkbox"/> MC512PA-BL	1SNK149998R0000	20 10.00
		White	<input type="checkbox"/> MC512PA	1SNK149999R0000	20 10.00
		Pre-printed marker card (L1-L2-L3-N-PE)	<input type="checkbox"/> MC512PA	1SNK149002R0000	1 10.00

Complete list of accessories is indicated in the terminal block datasheet including end stops. Some accessories such as jumper bars may modify the terminal block's ratings: Complete information available in the accessories section of the catalog.

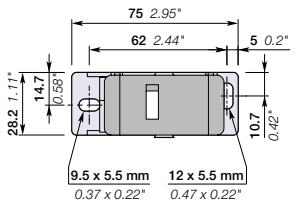
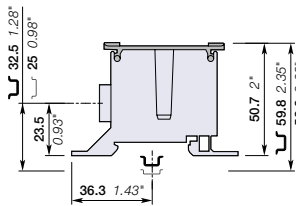
DBL125 power distribution blocks

Single pole - 28.2 mm 1.11 in spacing



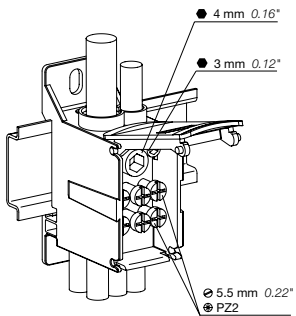
DBL125

1SNL16602/W0014



28.2 mm 1.11 in spacing

Mounting instructions



Description

- 3 configurations: distribute unipolar and multipolar power lines, or combine several inputs
- Mount it on Din rail or plate and save up to 50% rail space compared to conventional copper bars
- Reduce the assembly time by 80% by avoiding to use fastening and isolating components
- Increase the number of outputs by using the optional input and connecting two DBL together
- Easy identification with the reversible cover and delivered pre-printed markers L1, L2, L3, N, PE, +, -.

Ordering details

Description	Color	Type	Part Number	Pkg qty	Weight 1 pce g
Feed-through Single pole distribution, 8 connections	Grey	<input type="checkbox"/> DBL125	1SNL312510R0000	1	122

Main technical data

Connecting capacity		IEC	UL
Max current / Cross section	Copper	125 A / 35 mm ²	115 A / 2 AWG
	Aluminium	100 A / 35 mm ²	
Rated voltage		1000 V AC / 1500 V DC	1000 V
Rated impulse voltage		8 kV	
Short-time withstand current (I _{cw} 1s)		4200 A	
Short Circuit Current Rating (SCCR)			100 kA
Rated peak withstand current (I _{pk})		30 kA	
Protection		IP20	NEMA 1

The connecting capacity data for one Rigid - Solid / Stranded - Flexible conductor (when applicable) is a mandatory information required by IEC, UL and CSA standards (Copper conductors). All other data are provided as supplementary information only. For more details, please consult our CB, UL or CSA certificates and technical datasheet available on <http://www.TE.com>



Mounting & wiring instructions

Rail TH 35-7.5, TH 35-15

Connection Number	Size	Wire type	Wire stripping length	Tool	Torque		
Input	1 x	Ø 9.8 mm Ø 0.39 in	10 ... 35 mm ² 8 ... 2 AWG	10 ... 35 mm ² 8 ... 2 AWG	15 mm 0.59 in	4 mm 0.16 in	3.5 ... 5 Nm 31 ... 44 lb.in
	Output	1 x	Ø 6.8 mm Ø 0.27 in	2.5 ... 16 mm ² 14 ... 6 AWG	6 ... 16 mm ² 10 ... 6 AWG	11 mm 0.43 in	3 mm 0.12 in
	6 x	Ø 6.4 mm Ø 0.25 in	2.5 ... 16 mm ² 14 ... 6 AWG	2.5 ... 16 mm ² 14 ... 6 AWG	11 mm 0.43 in	5.5 mm 0.22 in	2 ... 3 Nm 18 ... 26.5 lb.in

When using maximum cable size with insulated ferrules, use a maximum of 2 non-adjacent holes in each row.

Not allowed	Flexible with ferrule	Solid	Rigid stranded
Flexible without ferrule (IEC V-K, UL class G...K)	Flexible with ferrule (IEC V-K, UL class G...K)	Solid (IEC V-U class 1, UL solid)	Rigid stranded (IEC V-R class 2, UL class B/C)

⊙ Allen key ⊕ Posidriv - flat screwdriver

Accessories

Description	Color	Type	Part Number	Pkg qty	Weight 1 pce g
1 End stops	Dark grey	<input checked="" type="checkbox"/> BAM4	1SNK900001R0000	50	14.00
		<input type="checkbox"/> BAZ1	1SNK900002R0000	50	5.30
		<input type="checkbox"/> BAZH1	1SNK900102R0000	20	24.00
2 Terminal block markers	White	<input type="checkbox"/> MG-CPM 13 41790	1SNB041790R0512	1960	0.236
	Green	<input checked="" type="checkbox"/> MC512PA-GN	1SNK149997R0000	20	10.00
	Blue	<input type="checkbox"/> MC512PA-BL	1SNK149998R0000	20	10.00
	White	<input type="checkbox"/> MC512PA	1SNK149999R0000	20	10.00
	Pre-printed marker card (L1-L2-L3-N-PE)		<input type="checkbox"/> MC512PA	1SNK149002R0000	1

Complete list of accessories is indicated in the terminal block datasheet including end stops. Some accessories such as jumper bars may modify the terminal block's ratings: Complete information available in the accessories section of the catalog.

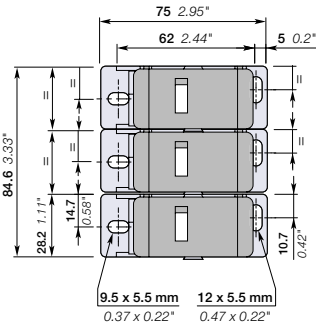
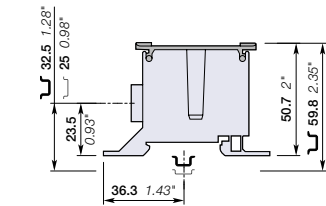
1SNL16601/3S0201

DBL125-3 power distribution blocks

3x1 pole - 84.6 mm 3.33 in spacing

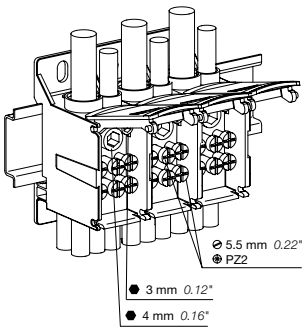


DBL125-3



84.6 mm 3.33 in spacing

Mounting instructions



Description

- The usage of three poles distribution block is recommended for L1, L2, L3 applications
- Each pole can be separated from the assembly to align the poles with upstream equipment configuration
- Mount it on Din rail or plate and save up to 50% rail space compared to conventional copper bars
- Reduce the assembly time by 80% by avoiding to use fastening and isolating components
- Easy identification with the reversible cover and delivered pre-printed markers L1, L2, L3, N, PE, +, -.

Ordering details

Description	Color	Type	Part Number	Pkg qty	Weight 1 pce g
Feed-through Three poles distribution block 3x8 connections	Grey	<input type="checkbox"/>	DBL125-3 1SNL312530R0000	1	367

Main technical data

Connecting capacity		IEC	UL
Max current / Cross section	Copper	125 A / 35 mm ²	115 A / 2 AWG
	Aluminium	100 A / 35 mm ²	
Rated voltage		1000 V AC / 1500 V DC	1000 V
Rated impulse voltage		8 kV	
Short-time withstand current (Icw 1s)		4200 A	
Short Circuit Current Rating (SCCR)			
Rated peak withstand current (Ipk)		30 kA	
Protection		IP20	NEMA 1

The connecting capacity data for one Rigid - Solid / Stranded - Flexible conductor (when applicable) is a mandatory information required by IEC, UL and CSA standards (Copper conductors). All other data are provided as supplementary information only. For more details, please consult our CB, UL or CSA certificates and technical datasheet available on <http://www.TE.com>



Mounting & wiring instructions

Rail TH 35-7.5, TH 35-15

Connection Number by pole	Size	Wire type	Wire stripping length	Tool	Torque
Input	1 x Ø 9.8 mm	10 ... 35 mm ²	10 ... 35 mm ²	15 mm	4 mm 3.5 ... 5 Nm
	Ø 0.39 in	8 ... 2 AWG	8 ... 2 AWG	0.59 in	0.16 in 31 ... 44 lb.in
Output	1 x Ø 6.8 mm	2.5 ... 16 mm ²	6 ... 16 mm ²	11 mm	3 mm 2 ... 3 Nm
	Ø 0.27 in	14 ... 6 AWG	10 ... 6 AWG	0.43 in	0.12 in 18 ... 26.5 lb.in
	6 x Ø 6.4 mm	2.5 ... 16 mm ²	2.5 ... 16 mm ²	11 mm	5.5 mm 2 ... 3 Nm
	Ø 0.25 in	14 ... 6 AWG	14 ... 6 AWG	0.43 in	0.22 in 18 ... 26.5 lb.in

When using maximum cable size with insulated ferrules, use a maximum of 2 non-adjacent holes in each row.

Not allowed	Flexible with ferrule (IEC V-K, UL class G...K)	Solid (IEC V-U class 1, UL solid)	Rigid stranded (IEC V-R class 2, UL class B/C)
Flexible without ferrule (IEC V-K, UL class G...K)			

Allen key Posidriv - flat screwdriver

Accessories

Description	Color	Type	Part Number	Pkg qty	Weight 1 pce g
1 End stops	10 mm	0.394 in	Dark grey <input checked="" type="checkbox"/> BAM4	1SNK900001R0000	50 14.00
	5.2 mm	0.205 in	<input type="checkbox"/> BAZ1	1SNK900002R0000	50 5.30
	10 mm	0.394 in	<input type="checkbox"/> BAZH1	1SNK900102R0000	20 24.00
2 Terminal block markers	Blank marker	White <input type="checkbox"/>	MG-CPM 13 41790	1SNB041790R0512	1960 0.236
	Blank card	Green <input checked="" type="checkbox"/>	MC512PA-GN	1SNK149997R0000	20 10.00
		Blue <input type="checkbox"/>	MC512PA-BL	1SNK149998R0000	20 10.00
		White <input type="checkbox"/>	MC512PA	1SNK149999R0000	20 10.00
		Pre-printed marker card (L1-L2-L3-N-PE)	<input type="checkbox"/>	MC512PA	1SNK149002R0000

Complete list of accessories is indicated in the terminal block datasheet including end stops. Some accessories such as jumper bars may modify the terminal block's ratings: Complete information available in the accessories section of the catalog.

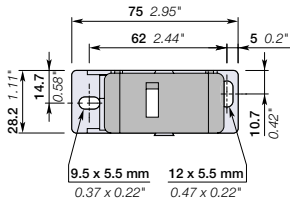
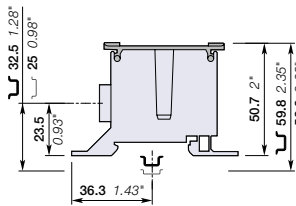
DBL160 power distribution blocks

Single pole - 28.2 mm 1.11 in spacing



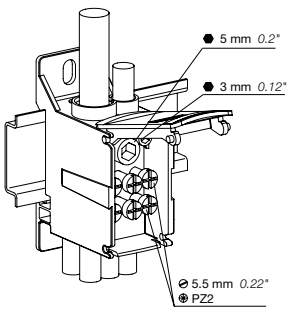
DBL160

1SNL166028W0014



28.2 mm 1.11 in spacing

Mounting instructions



Description

- 3 configurations: distribute unipolar and multipolar power lines, or combine several inputs
- Mount it on Din rail or plate and save up to 50% rail space compared to conventional copper bars
- Reduce the assembly time by 80% by avoiding to use fastening and isolating components
- Increase the number of outputs by using the optional input and connecting two DBL together
- Easy identification with the reversible cover and delivered pre-printed markers L1, L2, L3, N, PE, +, -.

Ordering details

Description	Color	Type	Part Number	Pkg qty	Weight 1 pce g
Feed-through Single pole distribution, 8 connections	Grey	<input type="checkbox"/> DBL160	1SNL316010R0000	1	120

Main technical data

Connecting capacity		IEC	UL
Max current / Cross section	Copper	160 A / 70 mm ²	160 A / 2/0 AWG
	Aluminium	135 A / 70 mm ²	
Rated voltage		1000 V AC / 1500 V DC	1000 V
Rated impulse voltage		8 kV	
Short-time withstand current (I _{cw} 1s)		6000 A	
Short Circuit Current Rating (SCCR)			100 kA
Rated peak withstand current (I _{pk})		30 kA	
Protection		IP10	NEMA 1

The connecting capacity data for one Rigid - Solid / Stranded - Flexible conductor (when applicable) is a mandatory information required by IEC, UL and CSA standards (Copper conductors). All other data are provided as supplementary information only. For more details, please consult our CB, UL or CSA certificates and technical datasheet available on <http://www.TE.com>



Mounting & wiring instructions

Rail TH 35-7.5, TH 35-15

Connection Number	Size	Wire type	Wire stripping length	Tool	Torque	
Input						
1 x	Ø 11.8 mm Ø 0.46 in	16 ... 50 mm ² 6 ... 1/0 AWG	16 ... 70 mm ² 6 ... 2/0 AWG	18 mm 0.708 in	5 mm 0.20 in	6... 10 Nm 53 ... 88 lb.in
Output						
1 x	Ø 6.8 mm Ø 0.27 in	2.5 ... 16 mm ² 14 ... 6 AWG	6 ... 16 mm ² 10 ... 6 AWG	11 mm 0.43 in	3 mm 0.12 in	2 ... 3 Nm 18 ... 26.5 lb.in
6 x	Ø 6.4 mm Ø 0.25 in	2.5 ... 16 mm ² 14 ... 6 AWG	2.5 ... 16 mm ² 14 ... 6 AWG	11 mm 0.43 in	5.5 mm 0.22 in	2 ... 3 Nm 18 ... 26.5 lb.in

When using maximum cable size with insulated ferrules, use a maximum of 2 non-adjacent holes in each row.

Not allowed	Flexible with ferrule	Solid	Rigid stranded
Flexible without ferrule (IEC V-K, UL class G...K)	Flexible with ferrule (IEC V-K, UL class G...K)	Solid (IEC V-U class 1, UL solid)	Rigid stranded (IEC V-R class 2, UL class B/C)

⊙ Allen key ⊗ Posidriv - flat screwdriver

Accessories

Description	Color	Type	Part Number	Pkg qty	Weight 1 pce g	
1 End stops	Dark grey	<input checked="" type="checkbox"/> BAM4	1SNK900001R0000	50	14.00	
		<input type="checkbox"/> BAZ1	1SNK900002R0000	50	5.30	
		<input type="checkbox"/> BAZH1	1SNK900102R0000	20	24.00	
2 Terminal block markers	Blank marker	White	<input type="checkbox"/> MG-CPM 13 41790	1960	0.236	
	Blank card	Green	<input checked="" type="checkbox"/> MC512PA-GN	1SNK149997R0000	20	10.00
		Blue	<input type="checkbox"/> MC512PA-BL	1SNK149998R0000	20	10.00
		White	<input type="checkbox"/> MC512PA	1SNK149999R0000	20	10.00
		Pre-printed marker card (L1-L2-L3-N-PE)	White	<input type="checkbox"/> MC512PA	1SNK149002R0000	1

Complete list of accessories is indicated in the terminal block datasheet including end stops. Some accessories such as jumper bars may modify the terminal block's ratings: Complete information available in the accessories section of the catalog.

1SNL166014S0201

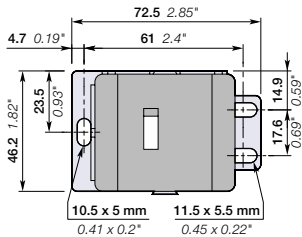
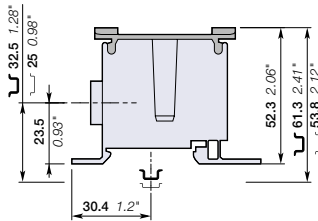
DBL175 power distribution blocks

Single pole - 46.2 mm 1.82 in spacing



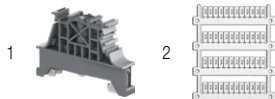
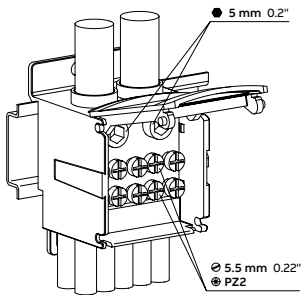
1SNK166029W001-4

DBL175



46.2 mm 1.81 in spacing

Mounting instructions



Description

- Reduce the assembly time by 80% by avoiding to use fastening and isolating components
- Mount it on Din rail or plate and save up to 50% rail space compared to conventional copper bars
- Increase the number of outputs by using the optional input and connecting two DBL together, or increase the current rating with two wires, 300 A with 50 mm² wires and 350 A with 2/0 AWG wires
- Easy identification with the reversible cover and delivered pre-printed markers L1, L2, L3, N, PE, +, -.

Ordering details

Description	Color	Type	Part Number	Pkg qty	Weight 1 pce g
Feed-through Single pole distribution, 12 connections	Grey	<input type="checkbox"/> DBL175	1SNL317510R0000	1	200

Main technical data

Connecting capacity		IEC	UL
Max current / Cross section	Copper	175 A / 70 mm ²	175 A / 2/0 AWG
	Aluminium	135 A / 70 mm ²	
Rated voltage		1000 V AC / 1500 V DC	1000 V
Rated impulse voltage		8 kV	
Short-time withstand current (I _{sw} 1s)		6000 A	
Short Circuit Current Rating (SCCR)			100 kA
Rated peak withstand current (I _{pk})		30 kA	
Protection		IP10	NEMA 1

The connecting capacity data for one Rigid - Solid / Stranded - Flexible conductor (when applicable) is a mandatory information required by IEC, UL and CSA standards (Copper conductors). All other data are provided as supplementary information only. For more details, please consult our CB, UL or CSA certificates and technical datasheet available on <http://www.TE.com>



Mounting & wiring instructions

Rail TH 35-7.5, TH 35-15

Connection Number	Size	Wire type	Wire stripping length	Tool	Torque
Input	2 x	Ø 11.8 mm	10 ... 50 mm ²	15 mm 0.708 in	5 mm 0.20 in
		Ø 0.46 in	8 ... 1/0 AWG		
Output	10 x	Ø 6.4 mm	2.5 ... 16 mm ²	11 mm 0.43 in	5.5 mm 0.22 in
		Ø 0.25 in	14 ... 6 AWG		

Not allowed Flexible without ferrule (IEC V-K, UL class G...K) Flexible with ferrule (IEC V-K, UL class G...K) Solid (IEC V-U class 1, UL solid) Rigid stranded (IEC V-R class 2, UL class B/C)

⊙ Allen key ⊗ Posidriv - flat screwdriver

Accessories

Description	Color	Type	Part Number	Pkg qty	Weight 1 pce g	
1 End stops	10 mm	Dark grey	BAM4	50	14.00	
	5.2 mm		BAZ1	50	5.30	
	10 mm		BAZH1	20	24.00	
2 Terminal block markers	Blank marker	White	MG-CPM 13 41790	1960	0.236	
	Blank card	Green	MC512PA-GN	1SNK149997R0000	20	10.00
		Blue	MC512PA-BL	1SNK149998R0000	20	10.00
			MC512PA	1SNK149999R0000	20	10.00
		Pre-printed marker card (L1-L2-L3-N-PE)	White	MC512PA	1SNK149002R0000	1

Complete list of accessories is indicated in the terminal block datasheet including end stops. Some accessories such as jumper bars may modify the terminal block's ratings: Complete information available in the accessories section of the catalog.

DBL175-C-3 power distribution blocks

3x1 pole - 84.6 mm 3.33 in spacing



DBL175-C-3

Description

- The usage of three poles distribution block is recommended for L1, L2, L3 applications
- Each pole can be separated from the assembly to align the poles with upstream equipment configuration
- Mount it on Din rail or plate and save up to 50% rail space compared to conventional copper bars
- Reduce the assembly time by 80% by avoiding to use fastening and isolating components
- Easy identification with the reversible cover and delivered pre-printed markers L1, L2, L3, N, PE, +, -.

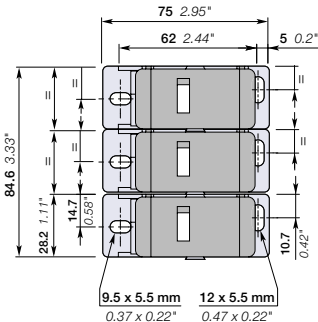
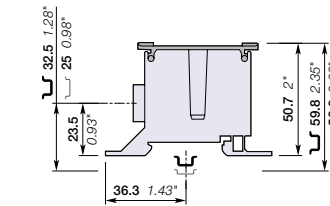
Ordering details

Description	Color	Type	Part Number	Pkg qty	Weight 1 pce g
Feed-through Three poles distribution block 3x8 connections	Grey	<input type="checkbox"/>	DBL175-C-3 1SNL317531R0000	1	360

Main technical data

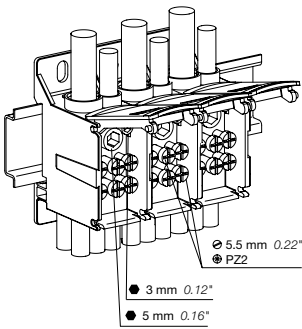
Connecting capacity		IEC	UL
Max current / Cross section	Copper	175 A / 70 mm ²	175 A / 2/0 AWG
	Aluminium	135 A / 70 mm ²	
Rated voltage		1000 V AC / 1500 V DC	1000 V
Rated impulse voltage		8 kV	
Short-time withstand current (I _{sw} 1s)		6000 A	
Short Circuit Current Rating (SCCR)			
Rated peak withstand current (I _{pk})		30 kA	
Protection		IP10	NEMA 1

The connecting capacity data for one Rigid - Solid / Stranded - Flexible conductor (when applicable) is a mandatory information required by IEC, UL and CSA standards (Copper conductors). All other data are provided as supplementary information only. For more details, please consult our CB, UL or CSA certificates and technical datasheet available on <http://www.TE.com>



84.6 mm 3.33 in spacing

Mounting instructions



Mounting & wiring instructions

Rail TH 35-7.5, TH 35-15

Connection Number by pole	Size	Wire type	Wire stripping length	Tool	Torque	
Input	1 x Ø 11.8 mm	16 ... 50 mm ²	16 ... 70 mm ²	18 mm	5 mm	6... 10 Nm
	Ø 0.46 in	8 ... 1/0 AWG	6 ... 2/0 AWG	0.708 in	0.20 in	53 ... 88 lb.in
Output	1 x Ø 6.8 mm	2.5 ... 16 mm ²	6 ... 16 mm ²	11 mm	3 mm	2 ... 3 Nm
	Ø 0.27 in	14 ... 6 AWG	10 ... 6 AWG	0.43 in	0.12 in	18 ... 26.5 lb.in
	6 x Ø 6.4 mm	2.5 ... 16 mm ²	2.5 ... 16 mm ²	11 mm	5.5 mm	2 ... 3 Nm
	Ø 0.25 in	14 ... 6 AWG	14 ... 6 AWG	0.43 in	0.22 in	18 ... 26.5 lb.in

When using maximum cable size with insulated ferrules, use a maximum of 2 non-adjacent holes in each row.

Not allowed	Flexible with ferrule (IEC V-K, UL class G...K)	Solid (IEC V-U class 1, UL solid)	Rigid stranded (IEC V-R class 2, UL class B/C)
Flexible without ferrule (IEC V-K, UL class G...K)			

⊙ Allen key ⊕ Posidriv - flat screwdriver

Accessories

Description	Color	Type	Part Number	Pkg qty	Weight 1 pce g	
1 End stops	10 mm	Dark grey	BAM4	50	14.00	
	5.2 mm		BAZ1	50	5.30	
	10 mm		BAZH1	20	24.00	
2 Terminal block markers	Blank marker	White	MG-CPM 13 41790	1960	0.236	
	Blank card	Green	MC512PA-GN	1SNK149997R0000	20	10.00
		Blue	MC512PA-BL	1SNK149998R0000	20	10.00
			MC512PA	1SNK149999R0000	20	10.00
			MC512PA	1SNK149002R0000	1	10.00
Pre-printed marker card (L1-L2-L3-N-PE)						

Complete list of accessories is indicated in the terminal block datasheet including end stops. Some accessories such as jumper bars may modify the terminal block's ratings: Complete information available in the accessories section of the catalog.

1SNL166021S0201

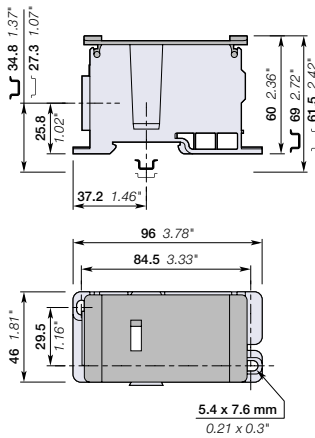
DBL250 power distribution blocks

Single pole - 46 mm 1.81 in spacing



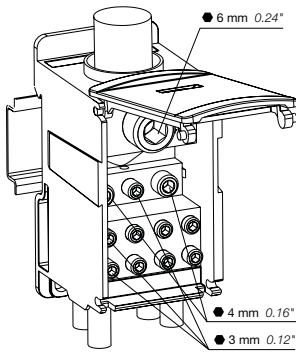
DBL250

1SNK1660300014



46 mm 1.81 in spacing

Mounting instructions



Description

- 3 configurations: distribute unipolar and multipolar power lines, or combine several inputs
- Mount it on Din rail or plate and save up to 50% rail space compared to conventional copper bars
- Reduce the assembly time by 80% by avoiding to use fastening and isolating components
- Easy identification with the reversible cover and delivered pre-printed markers L1, L2, L3, N, PE, +, -.

Ordering details

Description	Color	Type	Part Number	Pkg qty	Weight 1 pce g
Feed-through Single pole distribution, 12 connections	Grey	<input type="checkbox"/> DBL250	1SNL325010R0000	1	439

Main technical data

Connecting capacity		IEC	UL
Max current / Cross section	Copper Aluminium	250 A / 120 mm ² 200 A / 120 mm ²	255 A / 250 Kcmil
Rated voltage		1000 V AC / 1500 V DC	1000 V
Rated impulse voltage		8 kV	
Short-time withstand current (I _{sw} 1s)		11400 A	
Short Circuit Current Rating (SCCR)			100 kA
Rated peak withstand current (I _{pk})		51 kA	
Protection		IP10	NEMA 1

The connecting capacity data for one Rigid - Solid / Stranded - Flexible conductor (when applicable) is a mandatory information required by IEC, UL and CSA standards (Copper conductors). All other data are provided as supplementary information only. For more details, please consult our CB, UL or CSA certificates and technical datasheet available on <http://www.TE.com>



Mounting & wiring instructions

Rail TH 35-7.5, TH 35-15

Connection Number	Size	Wire type	Wire stripping length	Tool	Torque	
Input	1 x Ø 15.3 mm Ø 0.60 in	35 ... 95 mm ² 2 ... 3/0 AWG	35 ... 120 mm ² 2 ... 250 Kcmil	28 mm 1.10 in	6 mm 0.24 in	19 ... 21 Nm 168 ... 185 lb.in
	2 x Ø 8.7 mm Ø 0.34 in	2.5 ... 25 mm ² 14 ... 4 AWG	2.5 ... 35 mm ² 14 ... 2 AWG	11 mm 0.43 in	4 mm 0.16 in	3.5 ... 5 Nm 31 ... 44 lb.in
Output	5 x Ø 6.4 mm Ø 0.25 in	2.5 ... 16 mm ² 14 ... 6 AWG	2.5 ... 16 mm ² 14 ... 6 AWG	11 mm 0.43 in	3 mm 0.12 in	2 ... 3 Nm 18 ... 26.5 lb.in
	4 x Ø 5.7 mm Ø 0.22 in	2.5 ... 10 mm ² 14 ... 8 AWG	2.5 ... 10 mm ² 14 ... 8 AWG	11 mm 0.43 in	3 mm 0.12 in	2 ... 3 Nm 18 ... 26.5 lb.in

When using maximum cable size with insulated ferrules, use a maximum of 2 non-adjacent holes in each row.

Not allowed	Flexible without ferrule (IEC V-K, UL class G...K)	Flexible with ferrule (IEC V-K, UL class G...K)	Solid (IEC V-U class 1, UL solid)	Rigid stranded (IEC V-R class 2, UL class B/C)

Allen key Posidriv - flat screwdriver

Accessories

Description	Color	Type	Part Number	Pkg qty	Weight 1 pce g
1 End stops	10 mm 0.394 in	Dark grey <input checked="" type="checkbox"/> BAM4	1SNK900001R0000	50	14.00
	5.2 mm 0.205 in	<input type="checkbox"/> BAZ1	1SNK900002R0000	50	5.30
	10 mm 0.394 in	<input type="checkbox"/> BAZH1	1SNK900102R0000	20	24.00
2 Terminal block markers	Blank marker	White <input type="checkbox"/> MG-CPM 13 41790	1SNB041790R0512	1960	0.236
	Blank card	Green <input checked="" type="checkbox"/> MC512PA-GN	1SNK149997R0000	20	10.00
		Blue <input type="checkbox"/> MC512PA-BL	1SNK149998R0000	20	10.00
		White <input type="checkbox"/> MC512PA	1SNK149999R0000	20	10.00
		Pre-printed marker card (L1-L2-L3-N-PE)	MC512PA	1SNK149002R0000	1

Complete list of accessories is indicated in the terminal block datasheet including end stops. Some accessories such as jumper bars may modify the terminal block's ratings: Complete information available in the accessories section of the catalog.

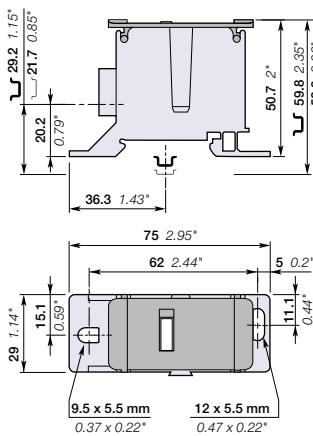
DBL250-F power distribution blocks

Single pole - Flat entry - 29 mm 1.14 in spacing



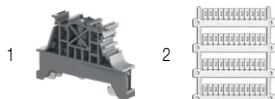
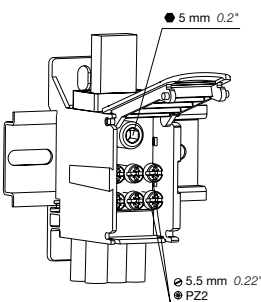
DBL250-F

1SNK1660250014



29 mm 1.14 in spacing

Mounting instructions



Description

- Suitable for distributing power from flat conductors: flexible or solid bars
- Mount it on Din rail or plate and save up to 50% rail space compared to conventional copper bars
- Reduce the assembly time by 80% by avoiding to use fastening and isolating components
- Easy identification with the reversible cover and delivered pre-printed markers L1, L2, L3, N, PE, +, -.

Ordering details

Description	Color	Type	Part Number	Pkg qty	Weight 1 pce g
Feed-through Single pole distribution - Flat entry, 7 connections	Grey	<input type="checkbox"/> DBL250-F	1SNL325060R0000	1	119

Main technical data

Connecting capacity		IEC	UL
Max current / Cross section	Flexible busbar	250 A / 6 x 15.5 x 0.8 mm	250 A / 6 x 15.5 x 0.8 mm
	Rigid busbar	208 A / 12 x 4 mm	160 A / 12 x 4 mm
Rated voltage		1000 V AC / 1500 V DC	1000 V
Rated impulse voltage		8 kV	
Short-time withstand current (Icw 1s)		11400 A	
Short Circuit Current Rating (SCCR)			Please consult us
Rated peak withstand current (Ipk)		22.8 kA	
Protection		IP20	NEMA 1

The connecting capacity data for one Rigid - Solid / Stranded - Flexible conductor (when applicable) is a mandatory information required by IEC, UL and CSA standards (Copper conductors). All other data are provided as supplementary information only. For more details, please consult our CB, UL or CSA certificates and technical datasheet available on <http://www.TE.com>



Mounting & wiring instructions

Rail TH 35-7.5, TH 35-15

Connection Number	Size	Wire type	Wire stripping length	Tool	Torque
Input 1 x	15.5 x 7.5 mm 0.59 x 0.28 in	12 x 4 mm	15 mm 0.59 in	5 mm 0.20 in	13.5 Nm 120 lb.in
		3 x 9 x 0.8 mm 6 x 15.5 x 0.8 mm	15 mm 0.59 in		
Output 6 x	Ø 6.6 mm Ø 0.26 in	2.5 ... 16 mm ² 14 ... 6 AWG	11 mm 0.43 in	5.5 mm 0.22 in	2 ... 3 Nm 18 ... 26.5 lb.in
		2.5 ... 16 mm ² 14 ... 6 AWG	11 mm 0.43 in		

When using maximum cable size with insulated ferrules, use a maximum of 2 non-adjacent holes in each row.

Not allowed	Flexible with ferrule (IEC V-K, UL class G...K)	Solid (IEC V-U class 1, UL solid)	Rigid stranded (IEC V-R class 2, UL class B/C)	Solid busbar	Flexible busbar
Flexible without ferrule (IEC V-K, UL class G...K)					

Allen key Posidriv - flat screwdriver

Accessories

Description	Color	Type	Part Number	Pkg qty	Weight 1 pce g
1 End stops	Dark grey	BAM4	1SNK900001R0000	50	14.00
		BAZ1	1SNK900002R0000	50	5.30
		BAZH1	1SNK900102R0000	20	24.00
2 Terminal block markers	White	MG-CPM 13 41790	1SNB041790R0512	1960	0.236
		MC512PA-GN	1SNK149997R0000	20	10.00
		MC512PA-BL	1SNK149998R0000	20	10.00
		MC512PA	1SNK149999R0000	20	10.00
		MC512PA	1SNK149002R0000	1	10.00
Pre-printed marker card (L1-L2-L3-N-PE)					

Complete list of accessories is indicated in the terminal block datasheet including end stops. Some accessories such as jumper bars may modify the terminal block's ratings: Complete information available in the accessories section of the catalog.

1SNK1660250014

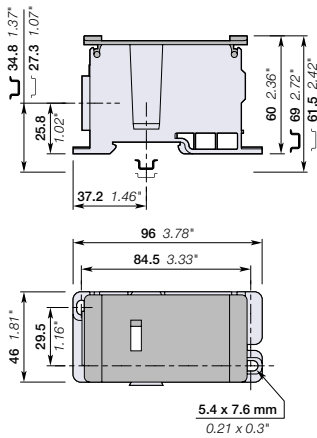
DBL400 power distribution blocks

Single pole - 46 mm 1.81 in spacing



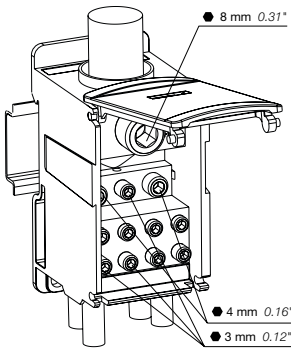
DBL400

15N0166031W0014



46 mm 1.81 in spacing

Mounting instructions



Description

- 3 configurations: distribute unipolar and multipolar power lines, or combine several inputs
- Mount it on Din rail or plate and save up to 50% rail space compared to conventional copper bars
- Reduce the assembly time by 80% by avoiding to use fastening and isolating components
- Easy identification with the reversible cover and delivered pre-printed markers L1, L2, L3, N, PE, +, -.

Ordering details

Description	Color	Type	Part Number	Pkg qty	Weight 1 pce g
Feed-through Single pole distribution, 12 connections	Grey	<input type="checkbox"/> DBL400	1SNL340010R0000	1	425

Main technical data

Connecting capacity		IEC	UL
Max current / Cross section	Copper Aluminium	400 A / 185 mm ² 300 A / 185 mm ²	335 A / 400 Kcmil
Rated voltage		1000 V AC / 1500 V DC	1000 V
Rated impulse voltage		8 kV	
Short-time withstand current (I _{sw} 1s)		18000 A	
Short Circuit Current Rating (SCCR)			100 kA
Rated peak withstand current (I _{pk})		51 kA	
Protection		IP10	NEMA 1

The connecting capacity data for one Rigid - Solid / Stranded - Flexible conductor (when applicable) is a mandatory information required by IEC, UL and CSA standards (Copper conductors). All other data are provided as supplementary information only. For more details, please consult our CB, UL or CSA certificates and technical datasheet available on <http://www.TE.com>



Mounting & wiring instructions

Rail TH 35-7.5, TH 35-15

Connection Number	Size	Wire type		Wire stripping length	Tool	Torque
Input						
1 x	Ø 18.8 mm Ø 0.74 in	95 ... 150 mm ² 3/0 ... 300 Kcmil	95 ... 185 mm ² 3/0 ... 400 Kcmil	28 mm 1.10 in	8 mm 0.31 in	25 Nm 221 lb.in
2 x	Ø 8.7 mm Ø 0.34 in	2.5 ... 25 mm ² 14 ... 4 AWG	2.5 ... 35 mm ² 14 ... 2 AWG	11 mm 0.43 in	4 mm 0.16 in	3.5 ... 5 Nm 31 ... 44 lb.in
Output						
5 x	Ø 6.4 mm Ø 0.25 in	2.5 ... 16 mm ² 14 ... 6 AWG	2.5 ... 16 mm ² 14 ... 6 AWG	11 mm 0.43 in	3 mm 0.12 in	2 ... 3 Nm 18 ... 26.5 lb.in
4 x	Ø 5.7 mm Ø 0.22 in	2.5 ... 10 mm ² 14 ... 8 AWG	2.5 ... 10 mm ² 14 ... 8 AWG	11 mm 0.43 in	3 mm 0.12 in	2 ... 3 Nm 18 ... 26.5 lb.in

When using maximum cable size with insulated ferrules, use a maximum of 2 non-adjacent holes in each row.

Not allowed	Flexible with ferrule	Solid	Rigid stranded
Flexible without ferrule (IEC V-K, UL class G...K)	(IEC V-K, UL class G...K)	(IEC V-U class 1, UL solid)	(IEC V-R class 2, UL class B/C)

Allen key Posidriv - flat screwdriver

Accessories

Description	Color	Type	Part Number	Pkg qty	Weight 1 pce g
1 End stops	10 mm	0.394 in	Dark grey <input checked="" type="checkbox"/> BAM4	1SNK900001R0000	50 14.00
	5.2 mm	0.205 in	<input type="checkbox"/> BAZ1	1SNK900002R0000	50 5.30
	10 mm	0.394 in	<input type="checkbox"/> BAZH1	1SNK900102R0000	20 24.00
2 Terminal block markers	Blank marker	White	<input type="checkbox"/> MG-CPM 13 41790	1SNB041790R0512	1960 0.236
	Blank card	Green	<input checked="" type="checkbox"/> MC512PA-GN	1SNK149997R0000	20 10.00
		Blue	<input type="checkbox"/> MC512PA-BL	1SNK149998R0000	20 10.00
		White	<input type="checkbox"/> MC512PA	1SNK149999R0000	20 10.00
		Pre-printed marker card (L1-L2-L3-N-PE)	<input type="checkbox"/> MC512PA	1SNK149002R0000	1 10.00

Complete list of accessories is indicated in the terminal block datasheet including end stops. Some accessories such as jumper bars may modify the terminal block's ratings: Complete information available in the accessories section of the catalog.

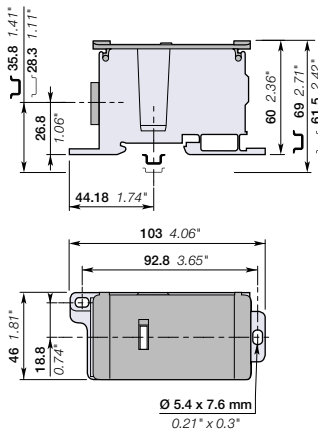
DBL400-PV power distribution blocks

Single pole - 46 mm 1.81 in spacing



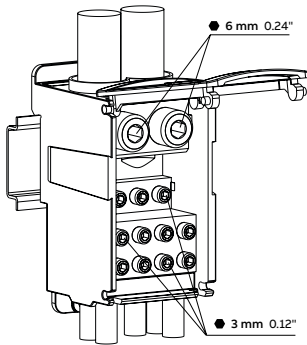
1SNK1660300014

DBL400-PV



46 mm 1.81 in spacing

Mounting instructions



Description

- Suitable for solar application with the possibility to combine 12 photovoltaic strings
- Mount it on Din rail or plate and save up to 50% rail space compared to conventional copper bars
- Reduce the assembly time by 80% by avoiding to use fastening and isolating components
- Increase the number of outputs by using the optional input and connecting two DBL together
- Easy identification with the reversible cover and delivered pre-printed markers L1, L2, L3, N, PE, +, -.

Ordering details

Description	Color	Type	Part Number	Pkg qty	Weight 1 pce g
Feed-through Single pole distribution, 14 connections	Grey	<input type="checkbox"/> DBL400-PV	1SNL340011R0000	1	202

Main technical data

Connecting capacity	IEC	UL
Max current / Cross section	Copper 550 A / (2x) 95 mm ²	400 A / (2x) 250 Kcmil
Rated voltage	1000 V AC / 1500 V DC	1000 V
Rated impulse voltage	8 kV	
Short-time withstand current (I _{cw} 1s)	22800 A	
Short Circuit Current Rating (SCCR)		Please consult us
Rated peak withstand current (I _{pk})	47.88 kA	
Protection	IP10	NEMA 1

The connecting capacity data for one Rigid - Solid / Stranded - Flexible conductor (when applicable) is a mandatory information required by IEC, UL and CSA standards (Copper conductors). All other data are provided as supplementary information only. For more details, please consult our CB, UL or CSA certificates and technical datasheet available on <http://www.TE.com>



Mounting & wiring instructions

Rail TH 35-7.5, TH 35-15

Connection Number	Size	Wire type	Wire stripping length	Tool	Torque
Input					
2 x	Ø 15,5 mm Ø 0.59 in	25 ... 95 mm ² 4 ... 3/0 AWG	25 ... 120 mm ² 4 ... 250 Kcmil	28 mm 1.1 in	6 mm 0.24 in
Output					
12 x	Ø 6.6 mm Ø 0.26 in	2.5 ... 16 mm ² 14 ... 6 AWG	2.5 ... 16 mm ² 14 ... 6 AWG	11 mm 0.43 in	3 mm 0.19 in

Not allowed Flexible without ferrule (IEC V-K, UL class G...K)	Flexible with ferrule (IEC V-K, UL class G...K)	Solid (IEC V-U class 1, UL solid)	Rigid stranded (IEC V-R class 2, UL class B/C)
---	---	-----------------------------------	--

Allen key Posidriv - flat screwdriver

Accessories

Description	Color	Type	Part Number	Pkg qty	Weight 1 pce g
1 End stops	10 mm	0.394 in	Dark grey <input checked="" type="checkbox"/> BAM4	1SNK900001R0000	50 14.00
	5.2 mm	0.205 in	<input type="checkbox"/> BAZ1	1SNK900002R0000	50 5.30
	10 mm	0.394 in	<input type="checkbox"/> BAZH1	1SNK900102R0000	20 24.00
2 Terminal block markers	Blank marker	White	<input type="checkbox"/> MG-CPM 13 41790	1SNB041790R0512	1960 0.236
	Blank card	Green	<input checked="" type="checkbox"/> MC512PA-GN	1SNK149997R0000	20 10.00
		Blue	<input type="checkbox"/> MC512PA-BL	1SNK149998R0000	20 10.00
		White	<input type="checkbox"/> MC512PA	1SNK149999R0000	20 10.00
		Pre-printed marker card (L1-L2-L3-N-PE)	<input type="checkbox"/> MC512PA	1SNK149002R0000	1 10.00

Complete list of accessories is indicated in the terminal block datasheet including end stops. Some accessories such as jumper bars may modify the terminal block's ratings: Complete information available in the accessories section of the catalog.

1SNK166024S0201

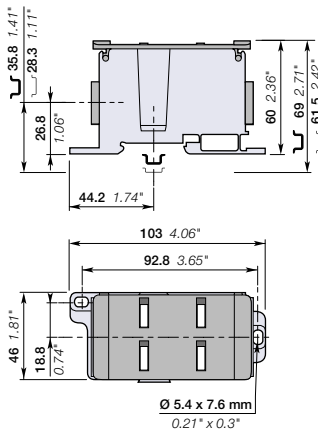
DBL500-22 Power Distribution Blocks

Single pole - 46 mm 1.81 in spacing



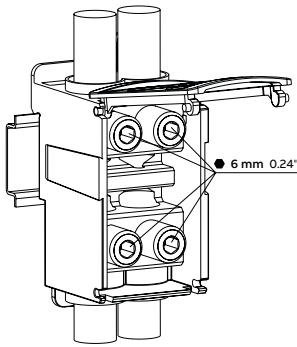
DBL500-22

1SNK16605400014



46 mm 1.81 in spacing

Mounting instructions



Description

- Suitable for distributing or connecting main power lines with 2 inputs and 2 outputs
- Mount it on Din rail or plate and save up to 50% rail space compared to conventional copper bars
- Reduce the assembly time by 80% by avoiding to use fastening and isolating components
- Increase the number of outputs by using the second input and connecting two DBL together
- Easy identification with the reversible cover and delivered pre-printed markers L1, L2, L3, N, PE, +, -.

Ordering details

Description	Color	Type	Part Number	Pkg qty	Weight 1 pce g
Feed-through Single pole distribution, 4 connections	Grey	<input type="checkbox"/> DBL500-22	1SNL850001R0000	1	224

Main technical data

Connecting capacity	IEC	UL
Max current / Cross section	Copper 500 A / (2x) 95 mm ²	510 A / (2x) 250 Kcmil
Rated voltage	1000 V AC / 1500 V DC	1000 V
Rated impulse voltage	8 kV	
Short-time withstand current (I _{sw} 1s)	22800 A	
Short Circuit Current Rating (SCCR)		Please consult us
Rated peak withstand current (I _{pk})	47.88 kA	
Protection	IP10	NEMA 1

The connecting capacity data for one Rigid - Solid / Stranded - Flexible conductor (when applicable) is a mandatory information required by IEC, UL and CSA standards (Copper conductors). All other data are provided as supplementary information only. For more details, please consult our CB, UL or CSA certificates and technical datasheet available on <http://www.TE.com>



Mounting & wiring instructions

Rail TH 35-7.5, TH 35-15

Connection Number	Size	Wire type	Wire stripping length	Tool	Torque
Input					
2 x	Ø 15.5 mm Ø 0.61 in	25 ... 95 mm ² 4 ... 3/0 AWG	25 ... 120 mm ² 4 ... 250 Kcmil	28 mm 1.1 in	6 mm 0.24 in
Output					
2 x	Ø 15.5 mm Ø 0.61 in	25 ... 95 mm ² 4 ... 3/0 AWG	25 ... 120 mm ² 4 ... 250 Kcmil	28 mm 1.1 in	6 mm 0.24 in

Not allowed	Flexible with ferrule	Solid	Rigid stranded
Flexible without ferrule (IEC V-K, UL class G...K)	Flexible with ferrule (IEC V-K, UL class G...K)	Solid (IEC V-U class 1, UL solid)	Rigid stranded (IEC V-R class 2, UL class B/C)

⊙ Allen key ⊕ Posidriv - flat screwdriver

Accessories

Description	Color	Type	Part Number	Pkg qty	Weight 1 pce g
1 End Stops	10 mm	0.394 in	Dark Grey <input checked="" type="checkbox"/> BAM4	1SNK900001R0000	50 14.00
	5.2 mm	0.205 in	<input type="checkbox"/> BAZ1	1SNK900002R0000	50 5.30
	10 mm	0.394 in	<input type="checkbox"/> BAZH1	1SNK900102R0000	20 24.00
2 Terminal Block Markers	Blank marker	White	<input type="checkbox"/> MG-CPM 13 41790	1SNB041790R0512	1960 0.236
	Blank card	Green	<input checked="" type="checkbox"/> MC512PA-GN	1SNK149997R0000	20 10.00
		Blue	<input type="checkbox"/> MC512PA-BL	1SNK149998R0000	20 10.00
		White	<input type="checkbox"/> MC512PA	1SNK149999R0000	20 10.00
		Pre-printed marker card (L1-L2-L3-N-PE)	<input type="checkbox"/> MC512PA	1SNK149002R0000	1 10.00

Complete list of accessories is indicated in the terminal block datasheet including end stops. Some accessories such as jumper bars may modify the terminal block's ratings: Complete information available in the accessories section of the catalog.

Index

Part Number/Type classification

Part Number	Type	Page
1SNB		
1SNB041790R0512	MG-CPM 13 41790	8
1SNK		
1SNK149002R0000	MC512PA	8
1SNK149997R0000	MC512PA-GN	8
1SNK149998R0000	MC512PA-BL	8
1SNK149999R0000	MC512PA	8
1SNK900001R0000	BAM4	8
1SNK900002R0000	BAZ1	8
1SNK900102R0000	BAZH1	8
1SNL		
1SNL308010R0000	DBL80	8
1SNL312510R0000	DBL125	9
1SNL312530R0000	DBL125-3	10
1SNL316010R0000	DBL160	11
1SNL317510R0000	DBL175	12
1SNL317531R0000	DBL175-C-3	13
1SNL325010R0000	DBL250	14
1SNL325060R0000	DBL250-F	15
1SNL340010R0000	DBL400	16
1SNL340011R0000	DBL400-PV	17
1SNL850001R0000	DBL500-22	18

Type	Part Number	Page
B		
BAM4	1SNK900001R0000	8
BAZ1	1SNK900002R0000	8
BAZH1	1SNK900102R0000	8
D		
DBL125	1SNL312510R0000	9
DBL125-3	1SNL312530R0000	10
DBL160	1SNL316010R0000	11
DBL175	1SNL317510R0000	12
DBL175-C-3	1SNL317531R0000	13
DBL250	1SNL325010R0000	14
DBL250-F	1SNL325060R0000	15
DBL400	1SNL340010R0000	16
DBL400-PV	1SNL340011R0000	17
DBL500-22	1SNL850001R0000	18
DBL80	1SNL308010R0000	8
M		
MC512PA	1SNK149002R0000	8
MC512PA	1SNK149999R0000	8
MC512PA-BL	1SNK149998R0000	8
MC512PA-GN	1SNK149997R0000	8
MG-CPM 13 41790	1SNB041790R0512	8

LET'S CONNECT

We make it easy to connect with our experts and are ready to provide all the support you need. For additional information or product assistance, please contact your field representative or our customer service department. Additional information is also available on the website <http://www.te.com/entrelec>.

TECHNICAL SUPPORT

te.com/support-center

Asia:

+86 400-820-6015

Europe, Middle East, & Africa:

+49 6251-133-0

North America:

+1-888-441-9982

te.com

ENTRELEC, TE Connectivity, TE Connectivity (logo) and Every Connection Counts are trademarks. All other logos, products and/or company names referred to herein might be trademarks of their respective owners.

All other logos, products and/or company names referred to herein might be trademarks of their respective owners.

The information given herein, including drawings, illustrations and schematics which are intended for illustration purposes only, is believed to be reliable. However, TE Connectivity makes no warranties as to its accuracy or completeness and disclaims any liability in connection with its use. TE Connectivity's obligations shall only be as set forth in TE Connectivity's Standard Terms and Conditions of Sale for this product and in no case will TE Connectivity be liable for any incidental, indirect or consequential damages arising out of the sale, resale, use or misuse of the product. Users of TE Connectivity products should make their own evaluation to determine the suitability of each such product for the specific application.

© 2018 TE Connectivity Ltd. family of companies All Rights Reserved.

1-1773959-2_EN

02/19

TE Connectivity

3, rue Jean Perrin
69687 Chassieu cedex
France

Tel: +33 472172222

www.te.com/

X-ON Electronics

Largest Supplier of Electrical and Electronic Components

Click to view similar products for [Terminal Blocks - Unspecified](#) category:

Click to view products by [TE Connectivity](#) manufacturer:

Other Similar products are found below :

[262-103](#) [5606874](#) [BM5219](#) [5310100000024](#) [5310100000014](#) [LZW-B4.2 A12-4160](#) [LZW-B4.6 A12-4660](#) [FCR7900](#) [FCR79001](#) [88486403](#)
[ESKW 1/5 ST E3](#) [88486708](#) [ESKW 1/5 KU](#) [88838208](#) [ESKW 1/2 KU](#) [88838304](#) [ESKW 1/2 ST](#) [1SNL312510R0000](#) [1SNL316010R0000](#)
[260-112](#) [264-364](#) [1527880000](#) [1528230000](#) [LZW-B4.3 A12-4260](#) [294-4013](#) [HDFK 25 0707743](#) [E.4203](#) [TSCB4-02P-15-01AH](#) [862-505](#)
[TSCB4-01P-15-01AH](#) [TSCB4-03P-15-01AH](#) [5310100000002](#) [5310100000005](#) [5310100000007](#) [5310100000012](#) [5310100000026](#)
[5310200000004](#) [5310200000016](#) [1754220000](#) [294-4002](#) [E.4204](#) [SLK3/2/D1-D2](#) [88167524](#) [262-142](#) [264-112](#) [294-4003](#) [FCR7901](#)
[FCR79011](#) [PDBFS220](#) [PDBFS330](#) [BM22](#) [BM23](#) [BM2300](#) [BM2301](#) [BM2302](#)