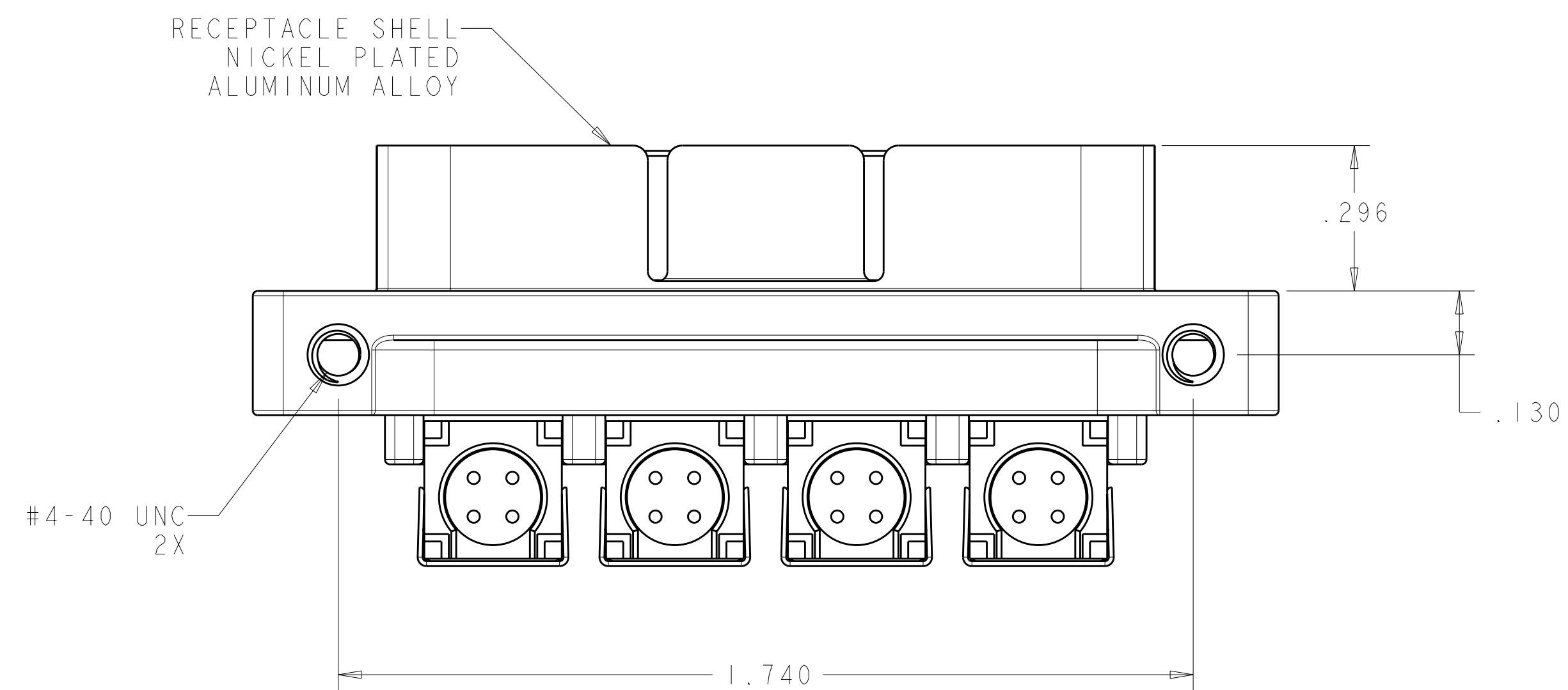
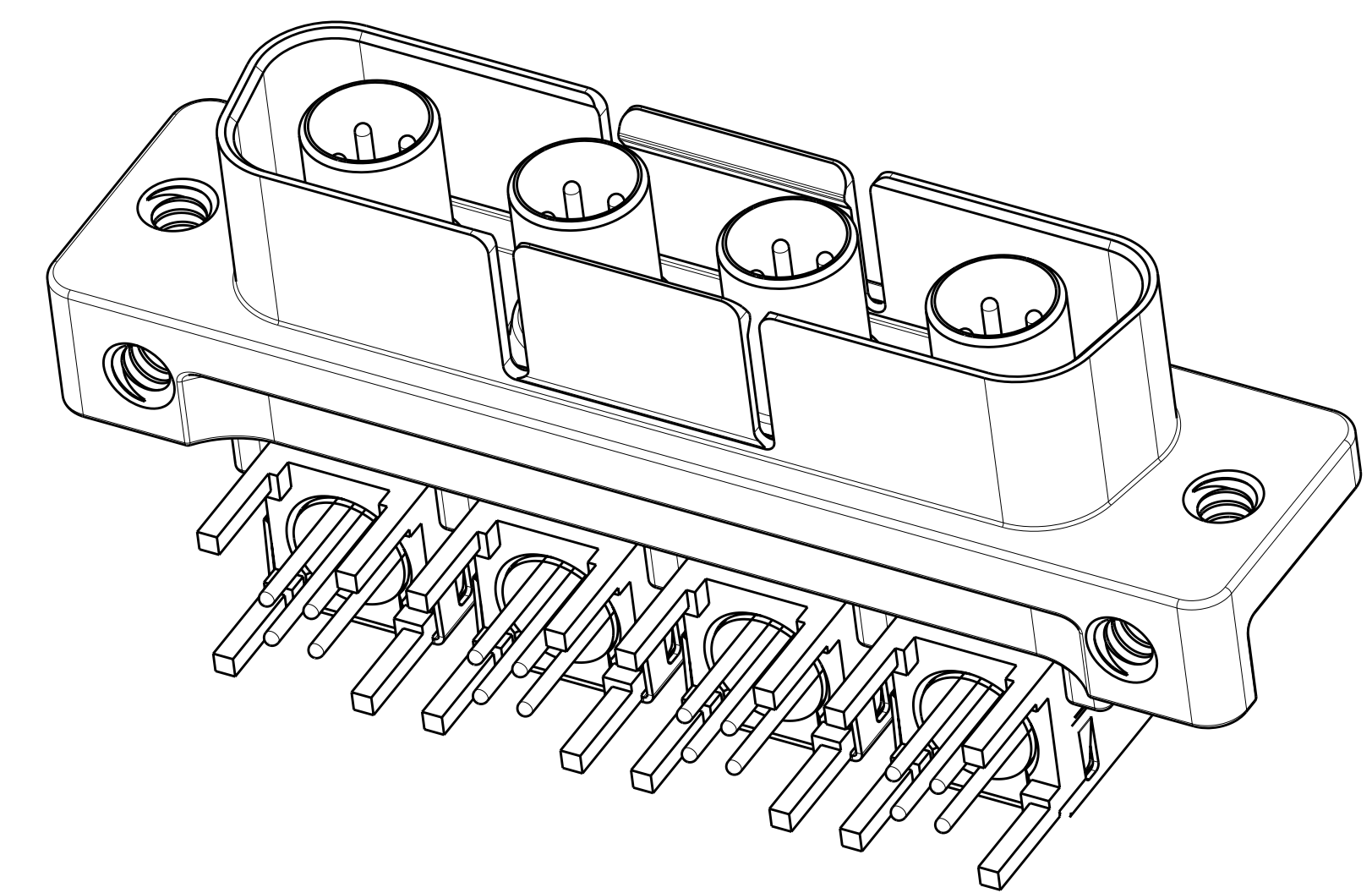
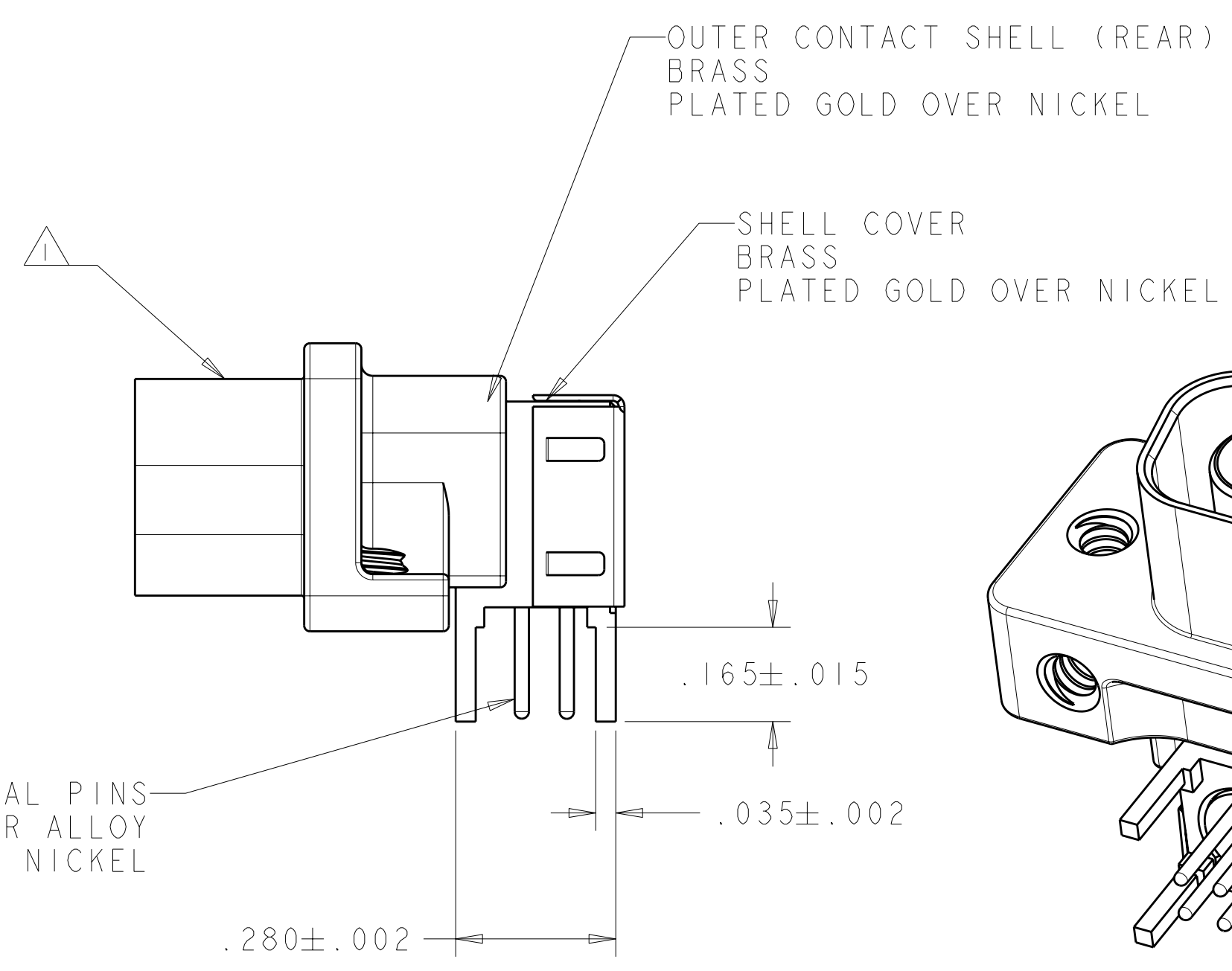
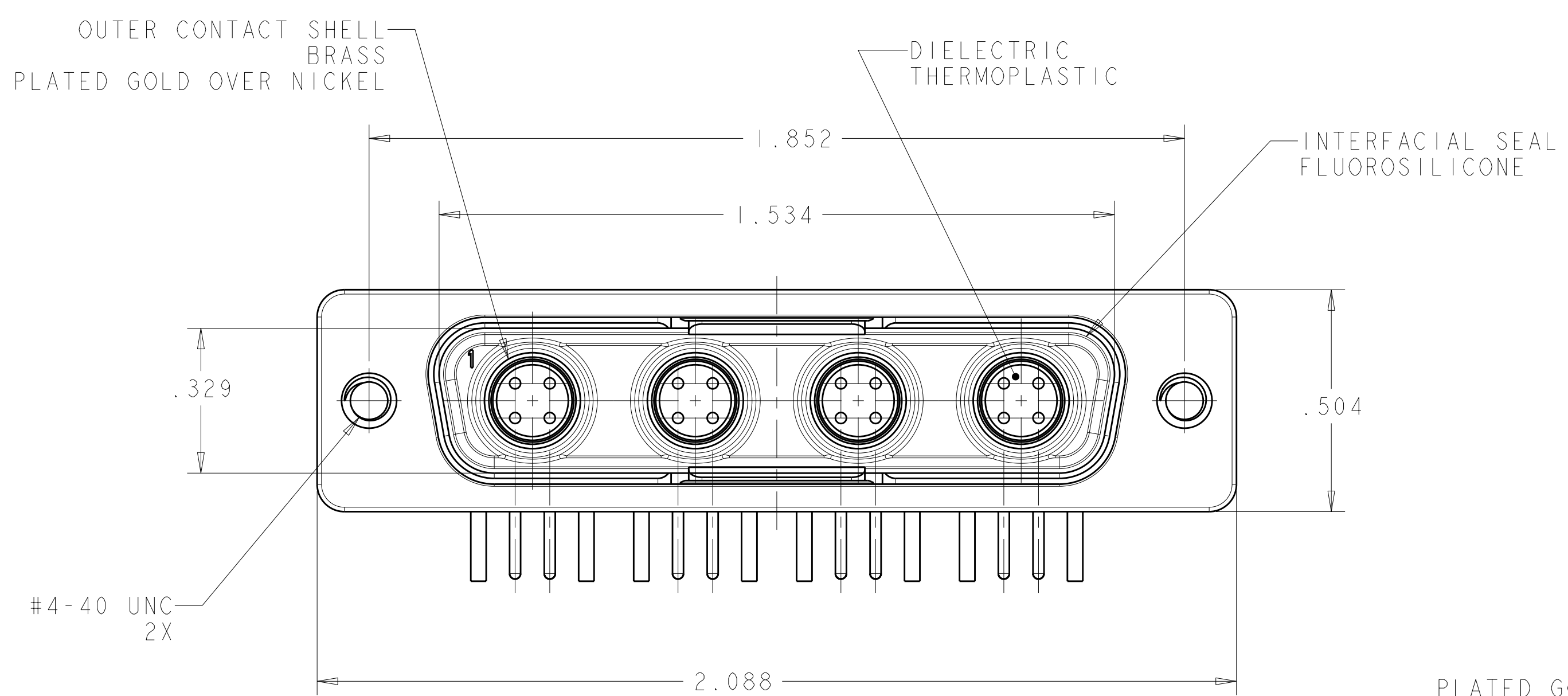
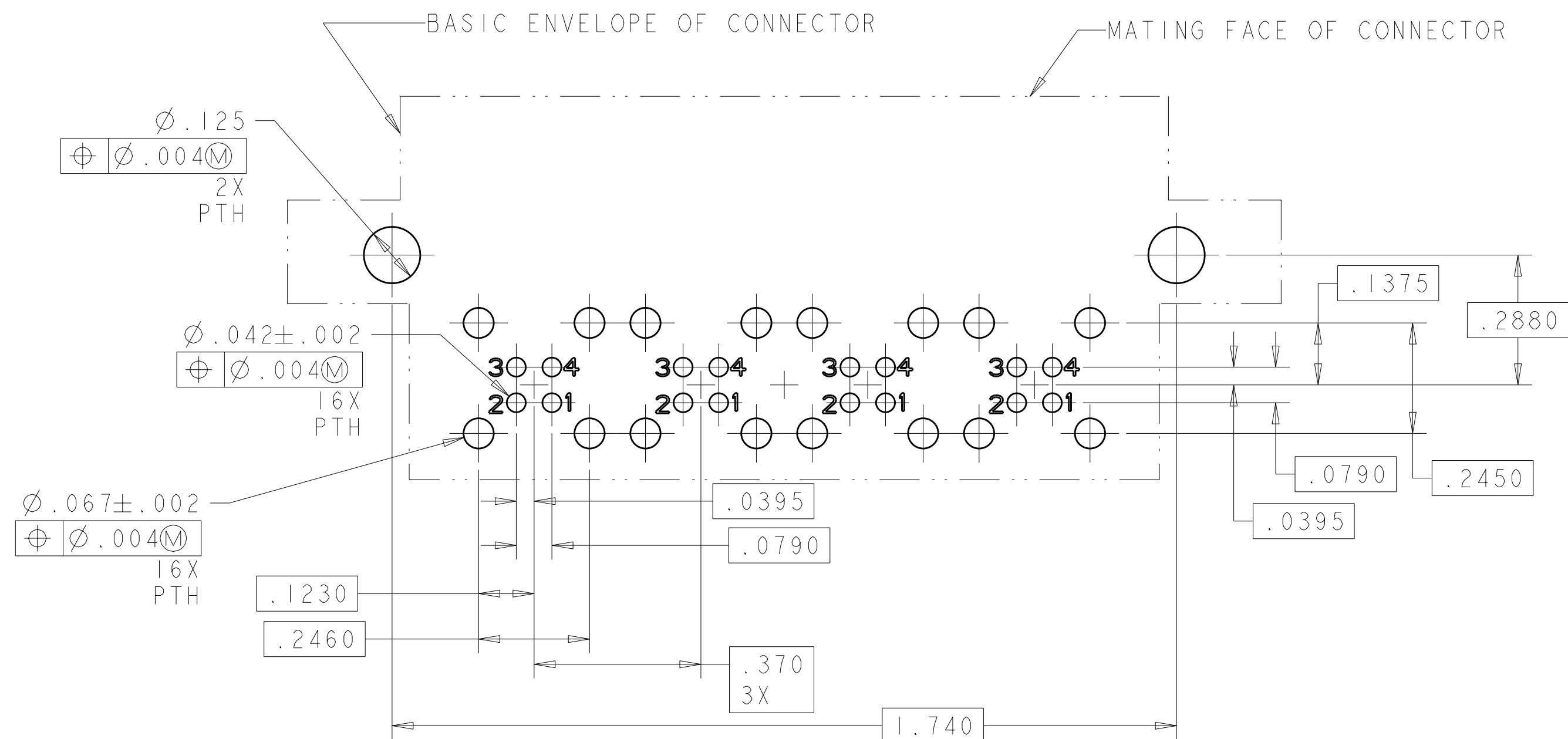


LOC	DIST	REV	DESCRIPTION	DATE	DWN	APVD
-	-	B	REV PER ECO 11-003487	2-17-11	CT	DM
-	-	C	REV. PER ECO-11-011392	09JUN2011	RJM3	DM



△ CONNECTOR IS MARKED WITH TYCO ELECTRONICS PART NUMBER, TYCO ELECTRONICS LOGO, CAGE CODE AND DATE CODE, IN APPROXIMATE AREA SHOWN
 2. OPERATING TEMPERATURE RANGE -65°C TO 125°C (-85°F TO 257°F)



RECOMMENDED PRINTED CIRCUIT BOARD LAYOUT
 CONNECTOR SIDE OF BOARD SHOWN
 SCALE 4:1

W/O INTERFACIAL SEAL	2000314-2
AS SHOWN	2000314-1
DESCRIPTION	PART NUMBER

THIS DRAWING IS A CONTROLLED DOCUMENT.		DWN: D. FABIAN 05JUN2007	TE Connectivity
DIMENSIONS: IN		CHK: R.P. WALTER 27OCT2009	
TOLERANCES UNLESS OTHERWISE SPECIFIED:		APVD: B. JOHN 28OCT2009	NAME: ASSEMBLY, RECEPTACLE, LOW PROFILE RETANGULAR QUADRAX 404, SIZE 3 RIGHT ANGLE, PCB MOUNT
9 PLC ±.01		PRODUCT SPEC	SIZE: CAGE CODE: DRAWING NO: RESTRICTED TO
5 PLC ±.01		APPLICATION SPEC	A100779C=2000314
4 PLC ±.005		WEIGHT	SCALE: 4:1 SHEET 1 OF 1 REV C
ANGLES ±.1		CUSTOMER DRAWING	
FINISH SEE CALL OUT			

X-ON Electronics

Largest Supplier of Electrical and Electronic Components

Click to view similar products for [I/O Connectors](#) category:

Click to view products by [TE Connectivity](#) manufacturer:

Other Similar products are found below :

[571763P](#) [58098-0628](#) [61-168618-12P](#) [D38999/20FJ29SB L/C](#) [72.250.1628.2](#) [72.250.2428.2](#) [74720-0505](#) [747680210](#) [76.350.0729.0](#) [76871-1403](#) [FCN-244F080-G/1](#) [FCN-260A9920](#) [FCN-268D024-G/2F#10X-R10](#) [MP-5T180MUNNA-005](#) [MP-5XRJ45UNNB-003](#) [PCS-E50FA](#) [PCS-XE26LKA](#) [PCS-XE26MA+](#) [PCS-XES68MS+](#) [G38A71314B](#) [91-569719-35R](#) [9776-18-6](#) [DX40-50P\(55\)](#) [1571250010](#) [157-22500-3](#) [MS3471L14-19P L/C](#) [171224-6031](#) [1888020-8](#) [91-569786-35H](#) [91-569786-35M](#) [91-644626-35P](#) [172501-4002](#) [172501-6002](#) [FCN-260C008-A/L0](#) [FCN-260C024-AL0](#) [FCN-261Z008](#) [FCN-268D008-G/1K](#) [2000314-1](#) [200331-1](#) [2007498-2](#) [PCR-E28LMDAG1+](#) [PCR-E36FC+](#) [PCS-E28FS+](#) [PCS-XE26SLFD+](#) [PCS-XE26SLFDT+](#) [G38A71214B](#) [HDRA-E68W1LFDTC-SL+](#) [HDR-E14MSG1+](#) [R88A-CNK81S](#) [CRT1-ATT02](#)