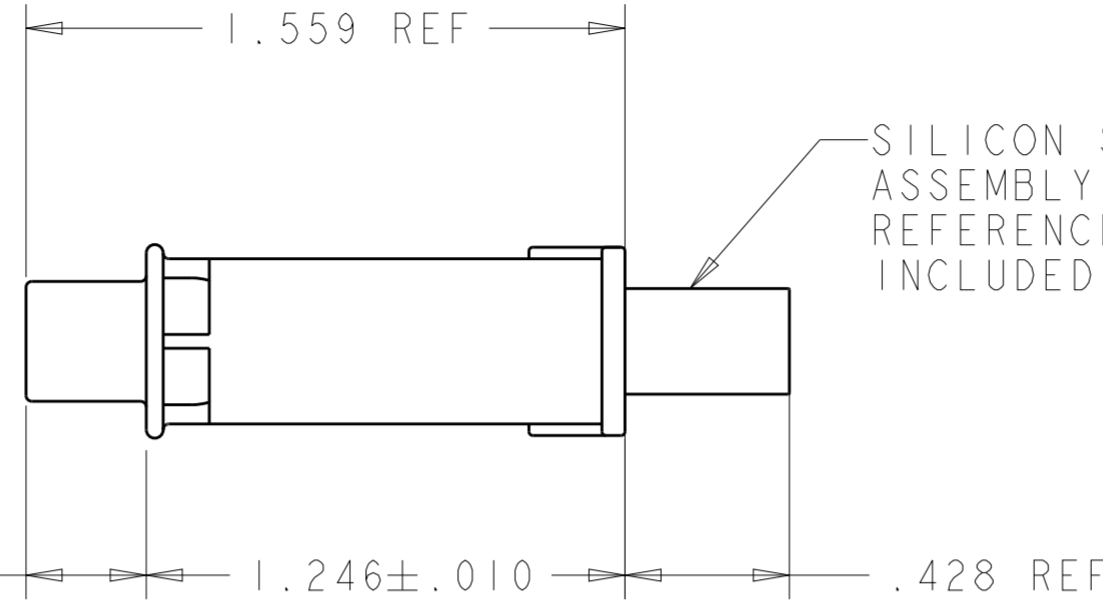
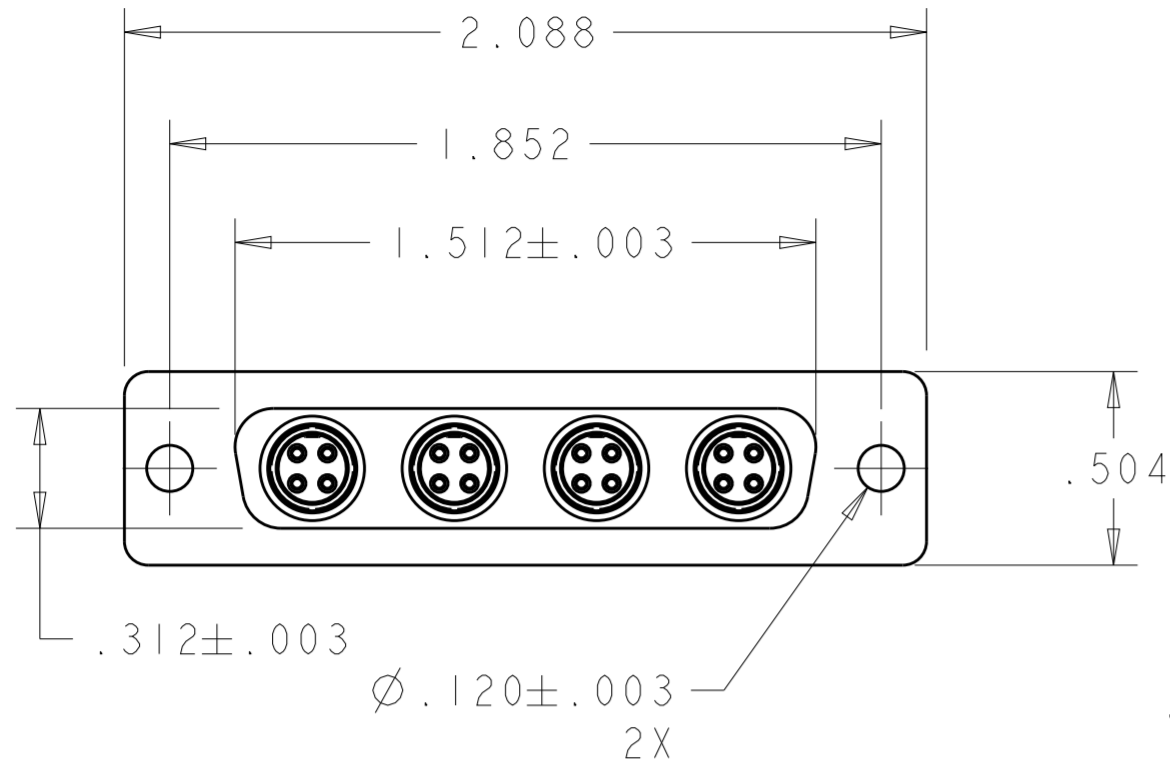
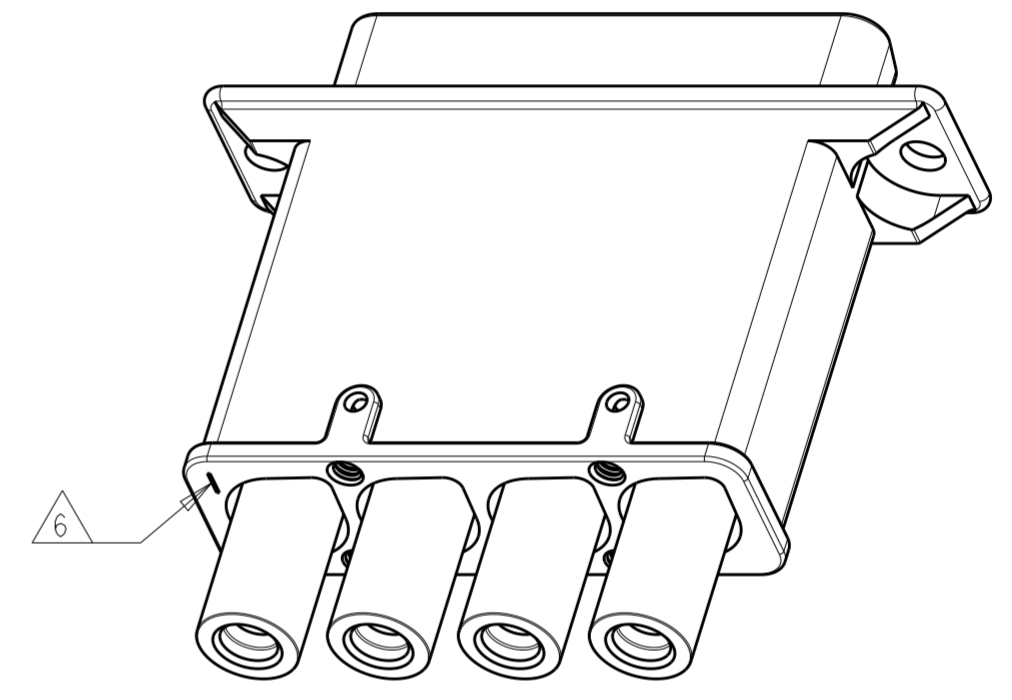
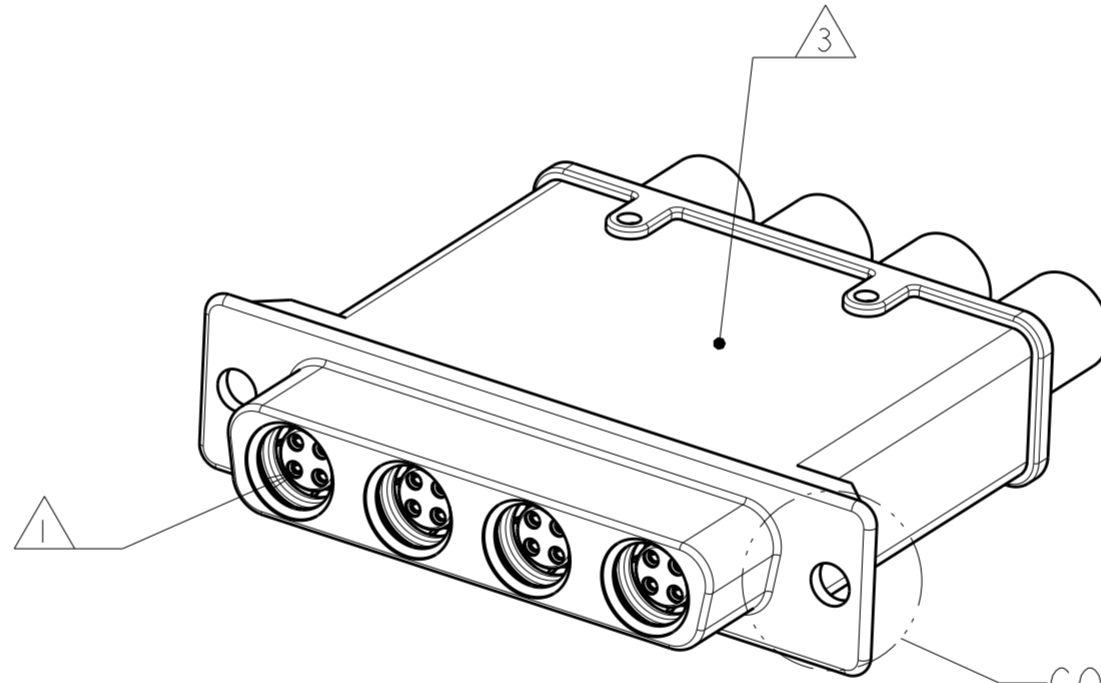
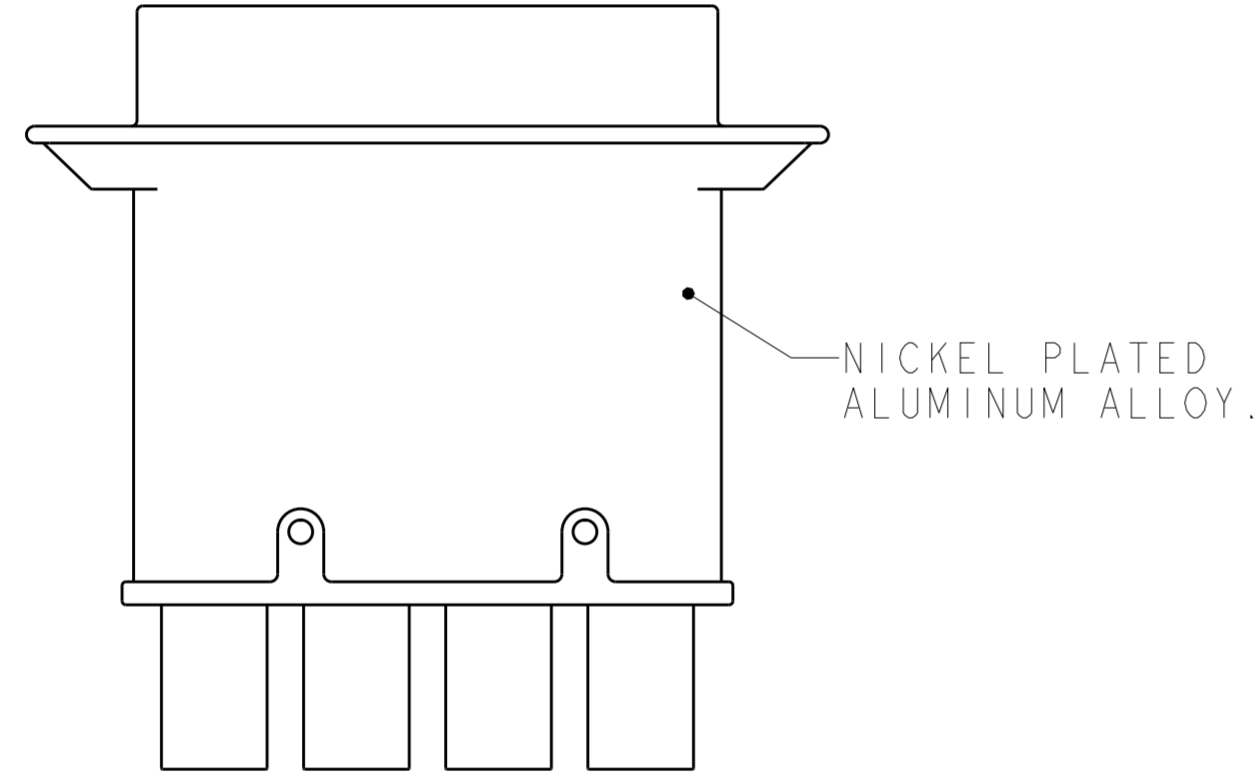


THIS DRAWING IS UNPUBLISHED. RELEASED FOR PUBLICATION 20  
 © COPYRIGHT 20 BY - ALL RIGHTS RESERVED.

REVISIONS					
P	LTR	DESCRIPTION	DATE	DWN	APVD
C		REV. PER ECO 16-017497	12-6-16	CT	DM



SILICON SEAL BOOT 4 PLC, ASSEMBLY SHOWN FOR REFERENCE, BOOTS ARE INCLUDED IN KIT.



CONTACT TYCO ELECTRONICS FOR STANDARD HARDWARE FOR CONNECTOR ATTACHMENT

- ① CONNECTOR KIT INCLUDES QUADRAX CONTACTS (TYCO ELECTRONICS PART# 1445693-3, QTY 4) FOR 100Ω CABLE.
- 2. RECOMMENDED CABLES :  
 RAYCHEM, CEC-RWC-18687, CEC-RWC-18664  
 TENSOLITE, NF24Q100, NF26Q100.
- ③ CONNECTOR IS MARKED WITH TYCO ELECTRONICS PART#, LOGO, CAGE CODE & DATE CODE.
- 4. OPERATING TEMPERATURE RANGE: -65°C TO 125°C (-85°F TO 257°F).
- 5. SILVER PLATED, STAINLESS STEEL RETENTION CLIPS ARE INSTALLED IN THE CONNECTOR.
- ⑥ RECESSED CIRCUIT IDENTIFICATION .007±.003 DEEP, CHARACTER HEIGHT .040±.010.
- ⑦ CONNECTOR KIT INCLUDES QUADRAX CONTACTS (TYCO ELECTRONICS PART #1445693-5, QTY 4) FOR 100Ω CABLE.
- ⑧ RECOMMENDED CABLES:  
 DRAKA, F4704-4  
 NEXANS, KD24

W/O CONTACTS	2000317-3
⑦ ⑧	2000317-2
① ②	2000317-1
REMARKS	PART NUMBER

THIS DRAWING IS A CONTROLLED DOCUMENT.		DWN 06 JUN 2007 D. FABIAN	TE Connectivity	
DIMENSIONS: INCHES		CHK 27 OCT 2009 R. P. WALTER		
TOLERANCES UNLESS OTHERWISE SPECIFIED:		APVD 28 OCT 2009 B. YOHN	NAME LOW PROFILE RECTANGULAR QUADRAX 404 ASSY, PLUG, SIZE 3	
0 PLC ±- 1 PLC ±.1 2 PLC ±.01 3 PLC ±.005 4 PLC ±.0020 ANGLES ±1° FINISH -		PRODUCT SPEC -	SIZE A200779	CAGE CODE C-2000317
MATERIAL -		APPLICATION SPEC -	DRAWING NO C-2000317	RESTRICTED TO -
MATERIAL -		WEIGHT -	SCALE 2:1 SHEET 1 OF 1 REV C	
CUSTOMER DRAWING				

## X-ON Electronics

Largest Supplier of Electrical and Electronic Components

*Click to view similar products for [Circular MIL Spec Connector](#) category:*

*Click to view products by [TE Connectivity](#) manufacturer:*

Other Similar products are found below :

[0025-262-542](#) [0025-264-3014](#) [58-570121-04S](#) [0134-202-1200](#) [0134-207-1206](#) [0134-207-1800](#) [0134-207-2207](#) [0134-213-0806](#) [0134-213-1007](#) [0134-213-1009](#) [0134-213-1208](#) [0134-213-1800](#) [0134-213-2209](#) [0025-258-000](#) [015-9516-002](#) [60-042722-19P](#) [0114-201-1278](#) [602GB06EG24-61SN](#) [0134-201-1207](#) [0134-201-1806](#) [0134-201-2006](#) [0134-201-2007](#) [0134-201-2010](#) [0134-202-1400](#) [0134-207-0809](#) [0134-207-1208](#) [0134-207-2009](#) [0134-213-1006](#) [6104-207-2302](#) [6104-208-1902](#) [6104-215-0902](#) [6131-202-19149P](#) [6131-204-21149P](#) [6131-207-13149P](#) [6131-208-13149P](#) [6131-209-17149P](#) [6131-210-11149P](#) [6131-211-19149P](#) [6131-216-19149P](#) [6131-220-25149P](#) [6131-259-11149P](#) [6131-259-21149P](#) [6131-259-23149P](#) [6131-263-19149P](#) [6131-265-17149P](#) [6131-265-19149P](#) [CS3102A-20-15P](#) [CS3102A-20-15S](#) [CS3106A-10SL-53S](#) [CS3106A-10SL-64S](#)