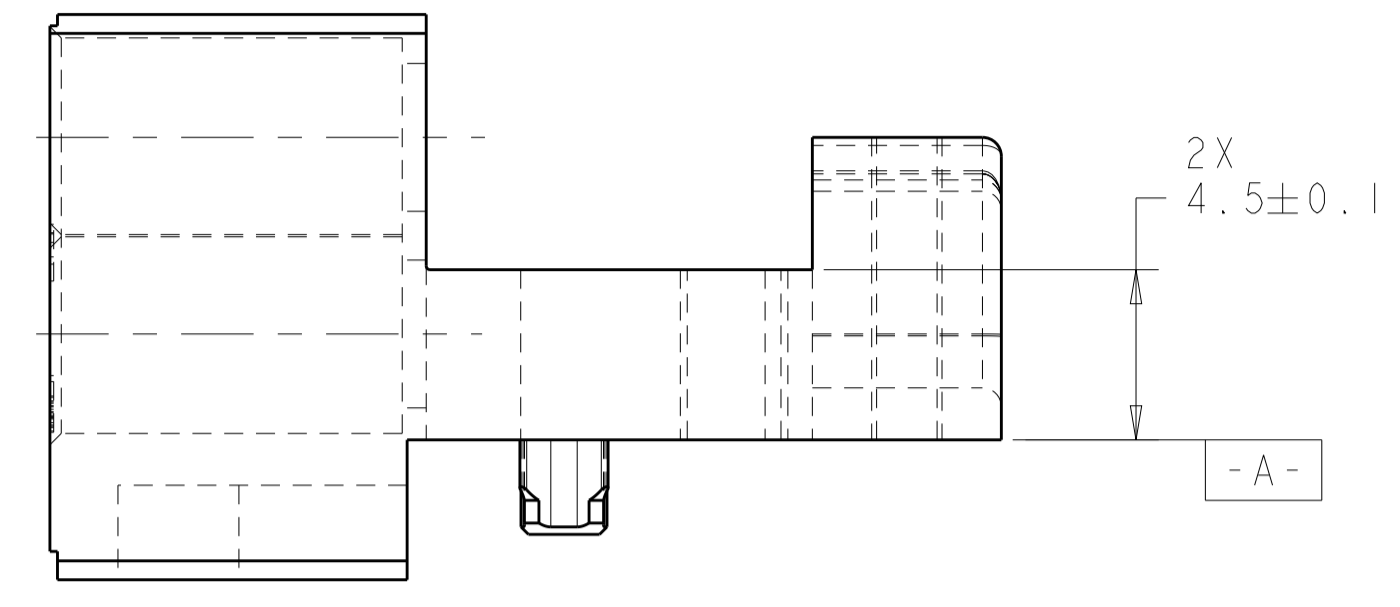
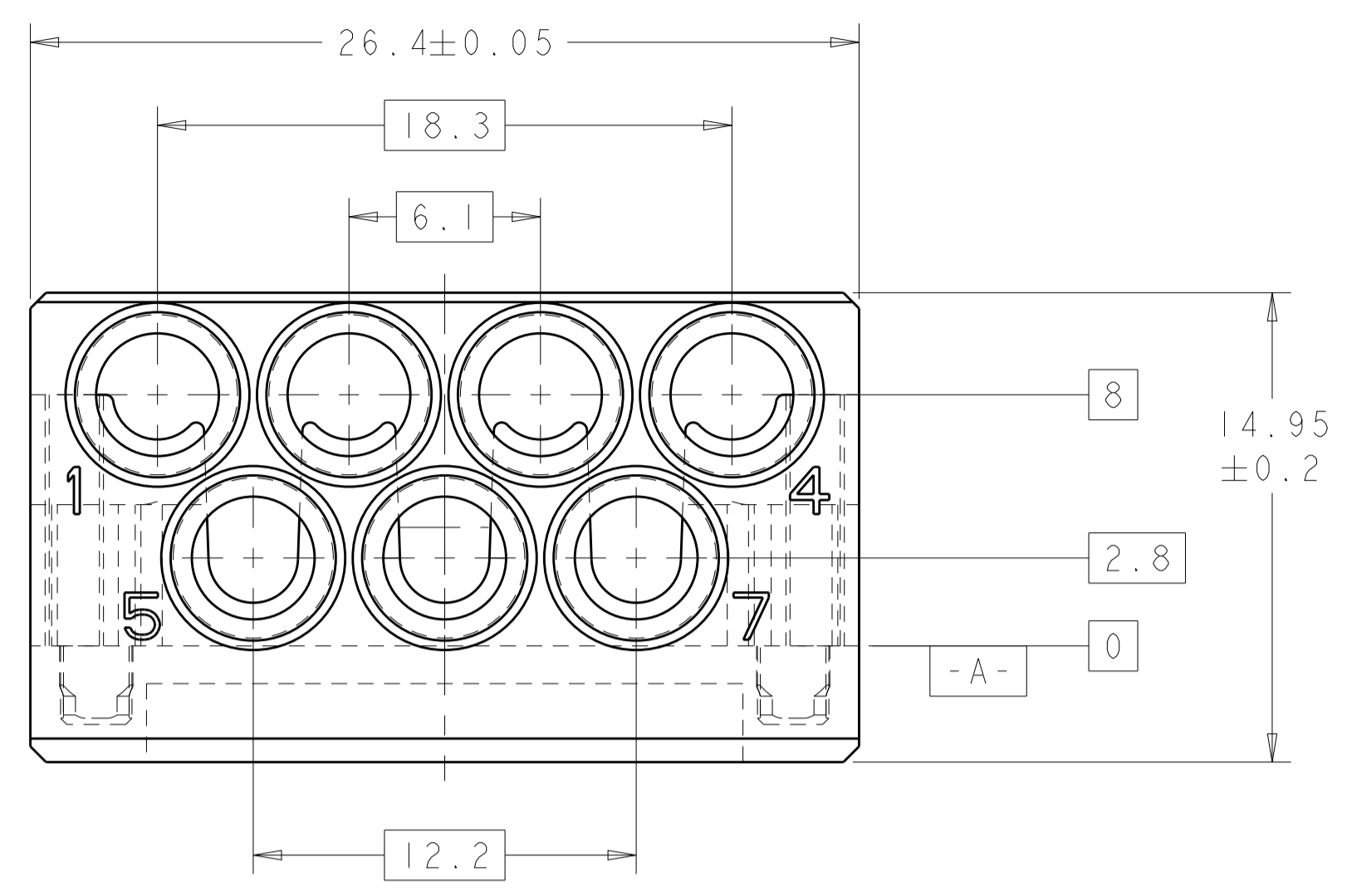
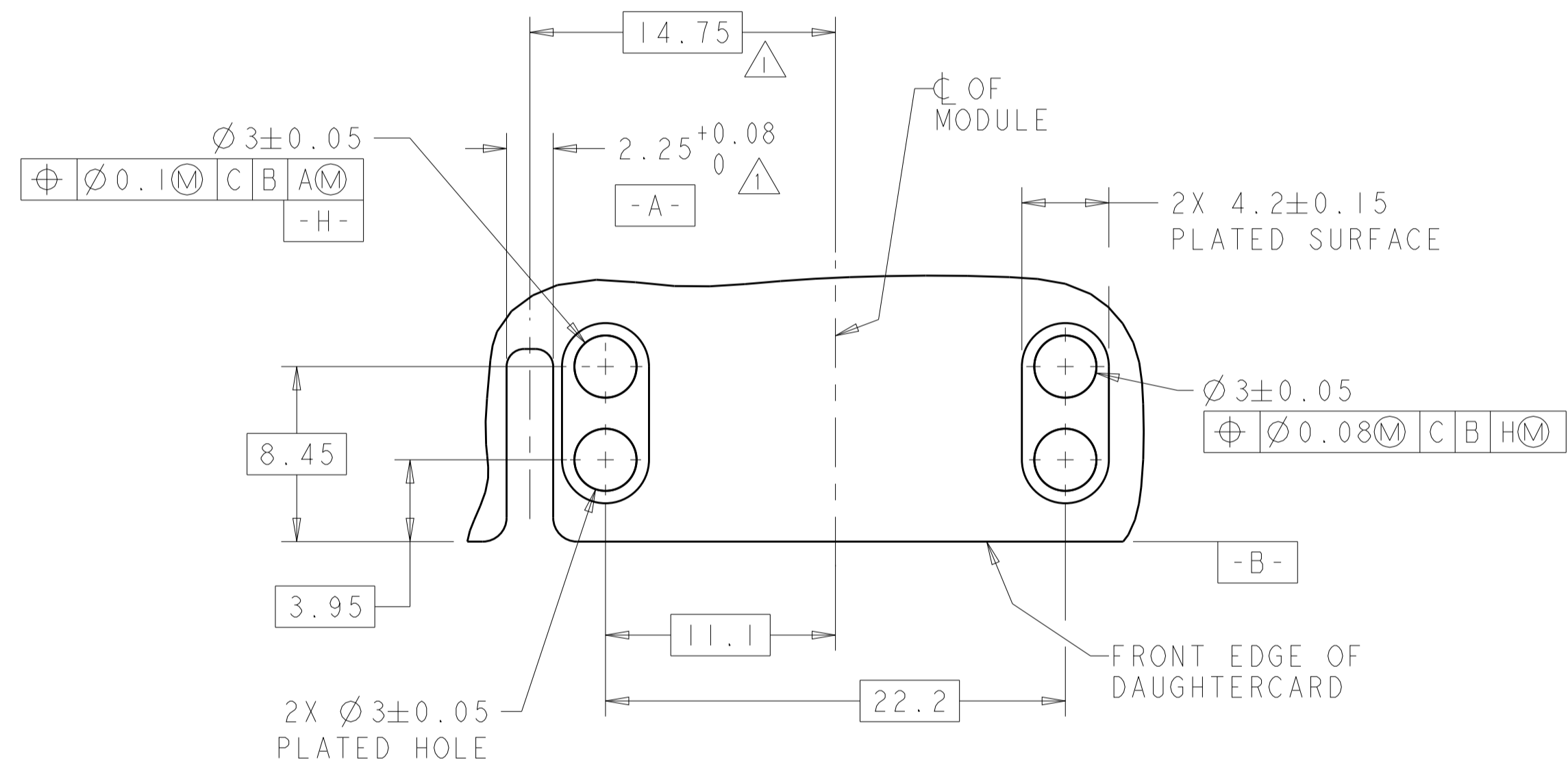
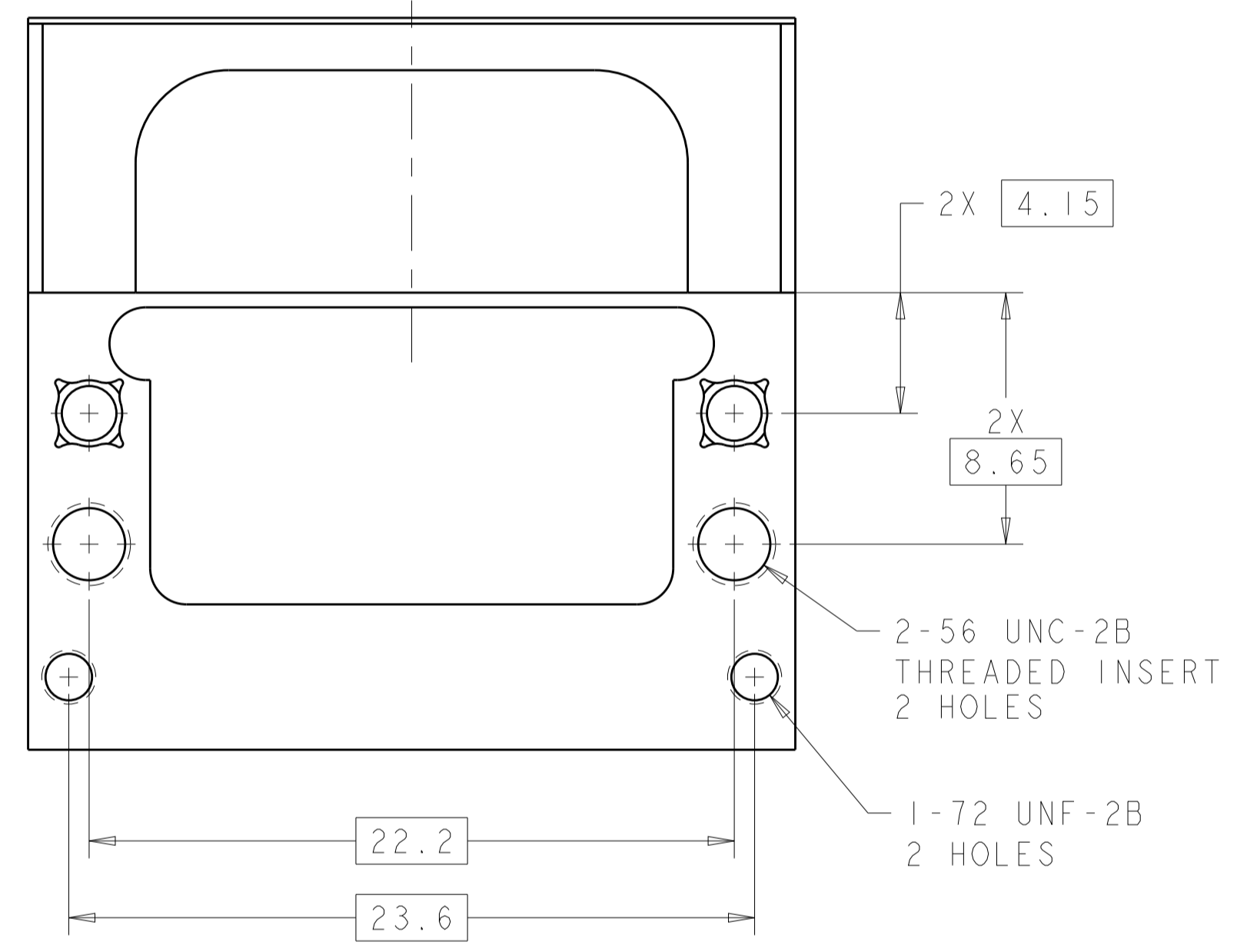


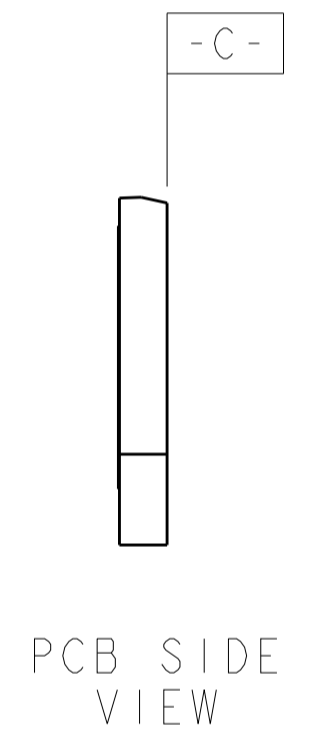
LOC		DIST		REVISIONS			
P	LTN	DESCRIPTION	DATE	DWN	APVD		
A		RELEASED PER ECO 12-020238	11-16-12	CT	DH		



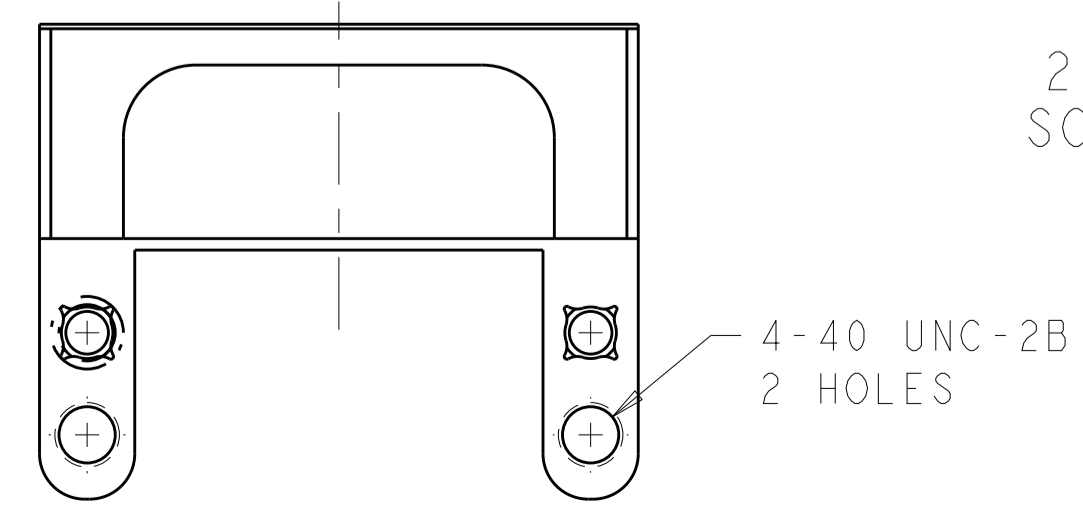
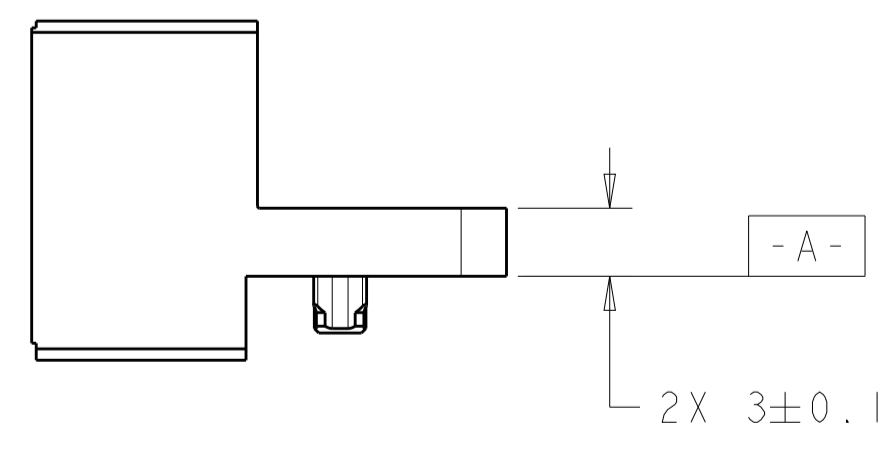
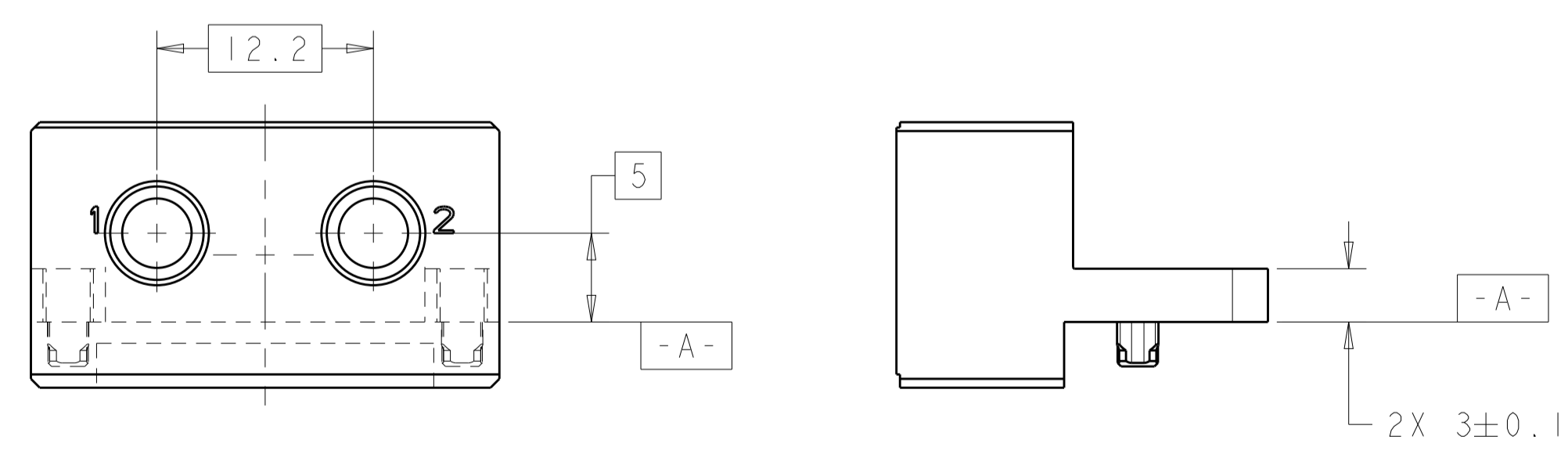
- 1 THE 2.25 FEATURE, [-A-], IS A TYPICAL HSR FAMILY LOCATING FEATURE. IN OTHER APPLICATIONS OF THIS MODULE A DIFFERENT FEATURE MAY BE USED FOR ESTABLISHING CORRECT LOCATION. THE [14.75] DIMENSION MAY BE REPLACED WITH OTHER VALUES FOR LOCATING THIS MODULE IN DIFFERENT POCKETS OF VARIOUS HSR CONFIGURATIONS.
- 2 MATL: ALUMINUM PER ASTM-B-209. FINISH: ELECTROLESS NICKEL PER AMS-C-26074 CLASS 1.
- 3 MATL: STAINLESS STEEL PER ASTM-A-582. FINISH: PASSIVATED PER AMS 2700B.
- 4 2000671-2 TO BE ORDERED UNDER KIT PART NO 2102272-1 THAT INCLUDES A STRAIN RELIEF COVER AND HOLD DOWN SCREWS.



PCB LAYOUT FOR COAX MODULES
2000671-2 AND -4
SCALE 4:1



PCB SIDE VIEW



2000671-4
SCALE 3:1

DESCRIPTION	MATERIAL AND FINISH	POSITIONS	PART NUMBER
AS SHOWN	3	2	2000671-4
AS SHOWN 4	2	7	2000671-2

THIS DRAWING IS A CONTROLLED DOCUMENT. OWN: 29 JUL 2008. BRENT D. TOUM. CHK: 29 JUL 2008. HUNG T. NGUYEN. APVD: 29 JUL 2008. HUNG T. NGUYEN. NAME: MODULE, COAX, PLUG, DAUGHTER CARD, HSR, UNSEALED, STANDARDIZED 4 BAY. PRODUCT SPEC: -. APPLICATION SPEC: -. SIZE: A1. CAGE CODE: 2000671. DRAWING NO: 2000671. WEIGHT: -. RESTRICTED TO: -. MATERIAL: SEE TABLE. FINISH: SEE TABLE. CUSTOMER DRAWING. SCALE: 1:1. SHEET: 1 OF 1. REV: A.

X-ON Electronics

Largest Supplier of Electrical and Electronic Components

Click to view similar products for [Hard Metric Connectors](#) category:

Click to view products by [TE Connectivity](#) manufacturer:

Other Similar products are found below :

[10146110-VR5C](#) [6345127-1](#) [646916-9](#) [6469658-1](#) [853016](#) [973108](#) [1-2000713-0](#) [1-2000713-2](#) [1-2000713-3](#) [120646-1](#) [134187](#) [1645343-1](#)
[1645456-1](#) [1645564-3](#) [1645594-1](#) [1645601-1](#) [1934822-1](#) [2000829-2](#) [2000985-2](#) [223085-1](#) [278071110010833](#) [1645179-1](#) [1645245-1](#)
[1645457-1](#) [1645525-1](#) [1645570-1](#) [1645596-1](#) [17-8072-125-000-863+](#) [1857470-1](#) [1934275-1](#) [1934289-1](#) [1934759-1](#) [2000670-2](#) [2000673-1](#)
[2000843-2](#) [2000984-2](#) [204975](#) [2170292-2](#) [2-536642-6](#) [3-100668-0](#) [3-106015-1](#) [352188-1](#) [352629-1](#) [3-646346-0](#) [3-646356-0](#) [3-646457-0](#) [3-646529-0](#) [3-646530-0](#) [5120823-1](#) [5120899-1](#)