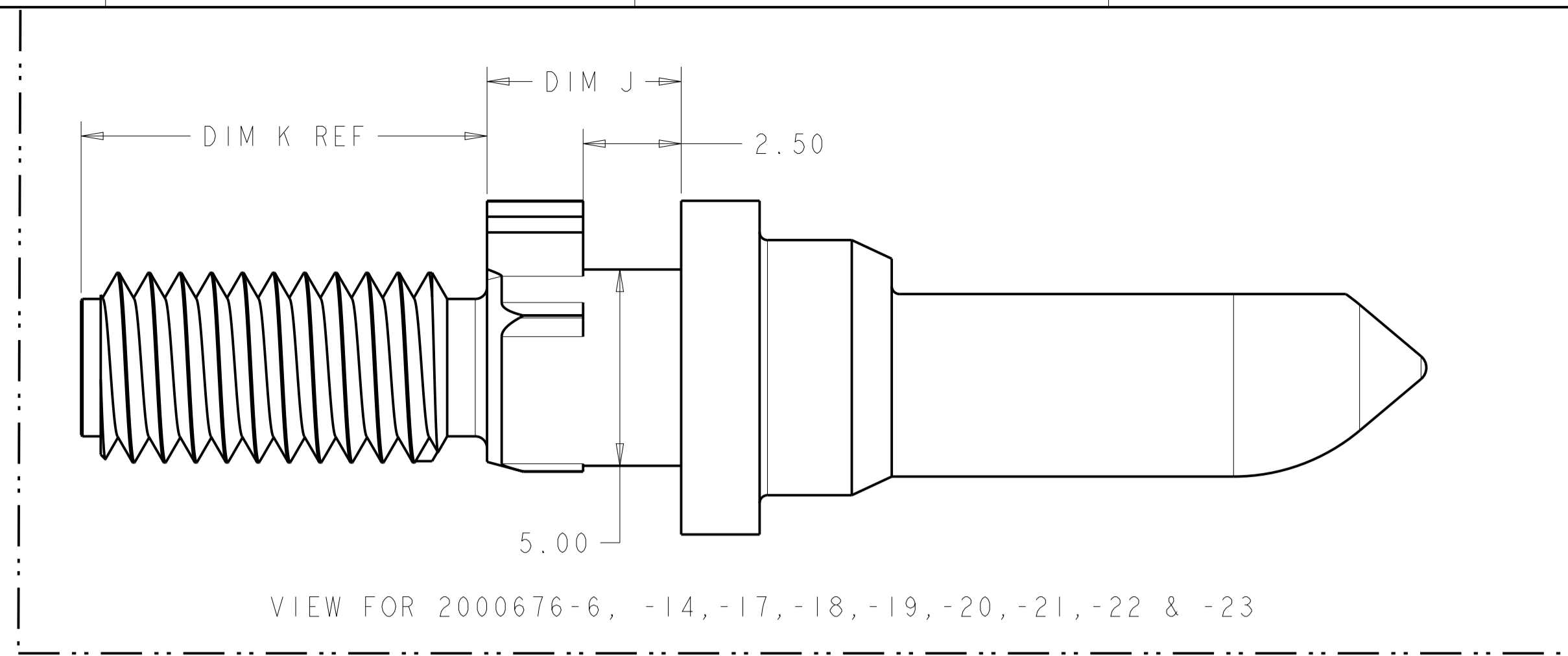
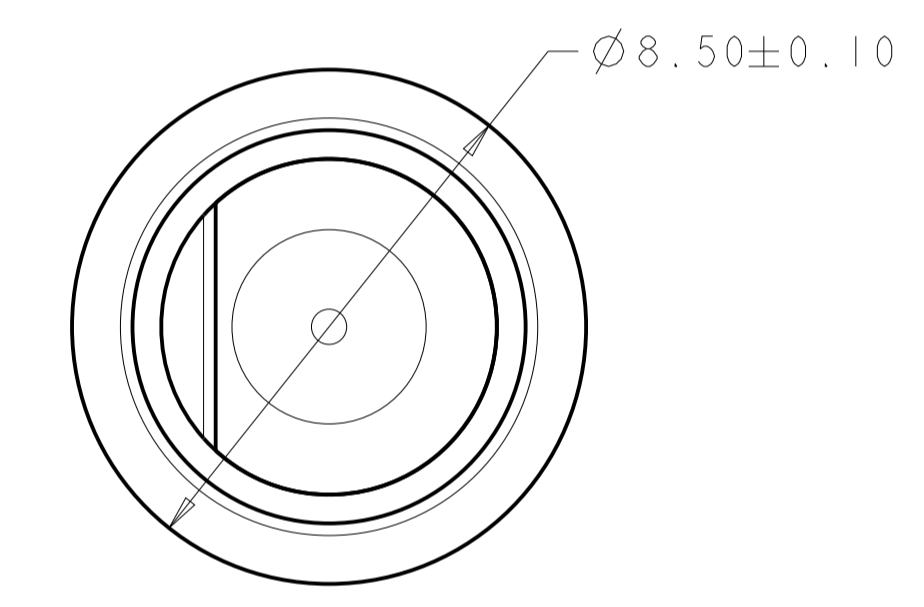
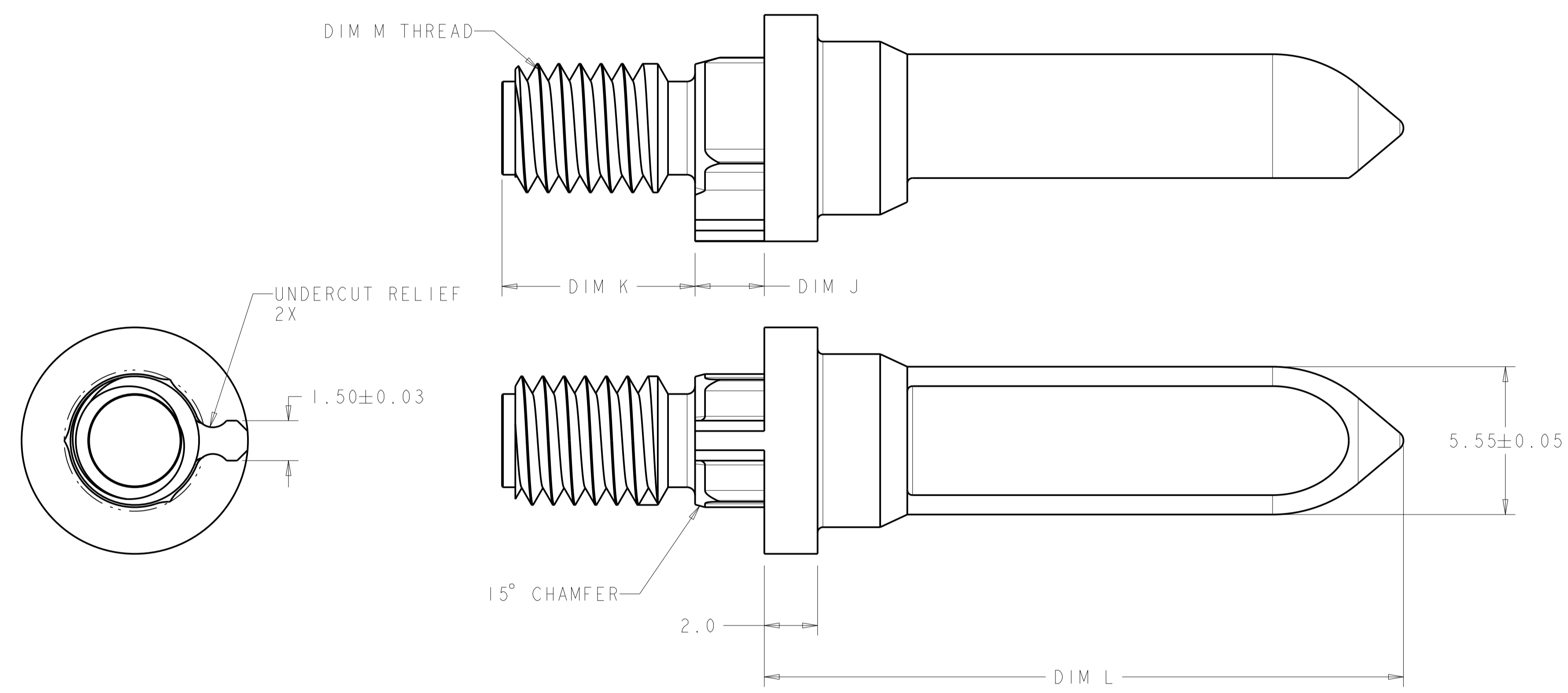


REVISIONS				
REV	DATE	DESCRIPTION	BY	CHK
N	3-24-21	REV PER ECO 21-002470	CT	DH



- 1 MATERIAL: STAINLESS STEEL (303)
- 2 FINISH: PASSIVATED
- 3 KEY HOLE ORIENTATION (DIM A) PER MATING GUIDE MODULE PART NUMBER TABLE (ORIENTATION SHOWN ON PCB LAYOUT IS FOR 1-2000677-2 OR 2000713-2)
- 4 ANNULAR RING PLATED AROUND GUIDE PIN MOUNTING HOLE ON TOP AND BOTTOM SIDE OF BOARD
- 5 PRELIMINARY-NOT RELEASED FOR PRODUCTION



10-32 UNF	15	7.25	4.20	2-2000676-5
10-32 UNF	15	7.25	5.70	2-2000676-4
10-32 UNF	19	38.10	5.70	2-2000676-3
10-32 UNF	24	38.10	5.70	2-2000676-2
10-32 UNF	19	31.70	5.70	2-2000676-1
10-32 UNF	24	12.70	3.30	2-2000676-0
10-32 UNF	24	31.75	5.70	1-2000676-9
10-32 UNF	24	10.35	4.95	1-2000676-8
10-32 UNF	19	10.35	4.95	1-2000676-7
10-32 UNF	24	9.00	1.32	1-2000676-6
10-32 UNF	24	5.40	2.60	1-2000676-5
10-32 UNF	24	18.00	5.70	1-2000676-4
10-32 UNF	19	7.25	5.70	1-2000676-3
10-32 UNF	19	7.25	4.20	1-2000676-2
10-32 UNF	19	7.25	1.32	1-2000676-0
M5X.8-6g	24	6.30	2.40	2000676-9
M5X.8-6g	19	9.00	3.40	2000676-8
M5X.8-6g	24	9.00	3.40	2000676-7
10-32 UNF	24	10.35	5.70	2000676-6
10-32 UNF	24	7.25	7.30	2000676-5
10-32 UNF	24	7.25	5.70	2000676-4
10-32 UNF	24	7.25	4.20	2000676-3
10-32 UNF	24	7.25	2.60	2000676-2
10-32 UNF	24	7.25	1.32	2000676-1
DIM M THREAD	DIM L	DIM K	DIM J	PART NUMBER

THIS DRAWING IS A CONTROLLED DOCUMENT.

TE Connectivity

KEYED GUIDE PIN, MACHINED BACKPLANE CONNECTOR, MULTIGIG, THREADED POST

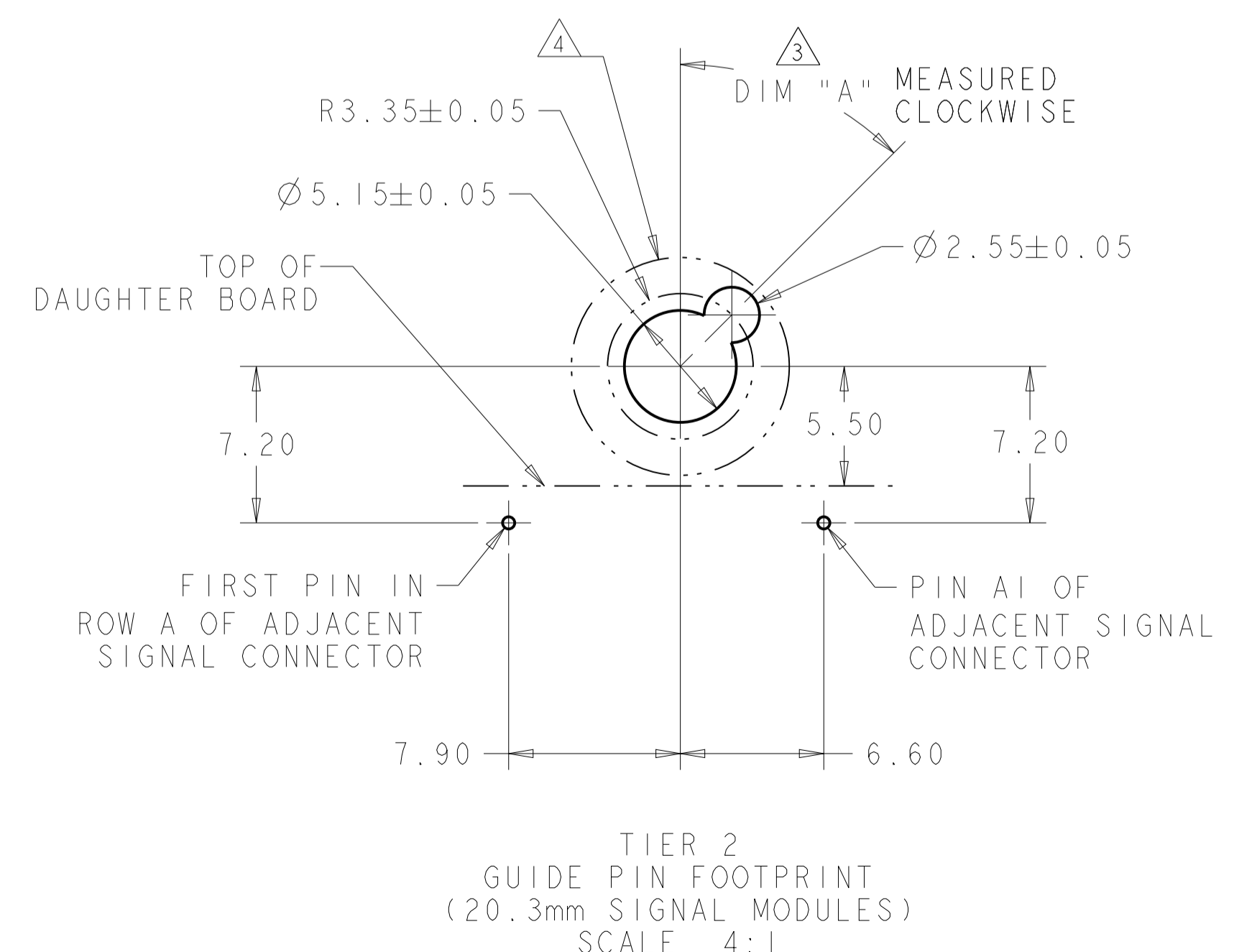
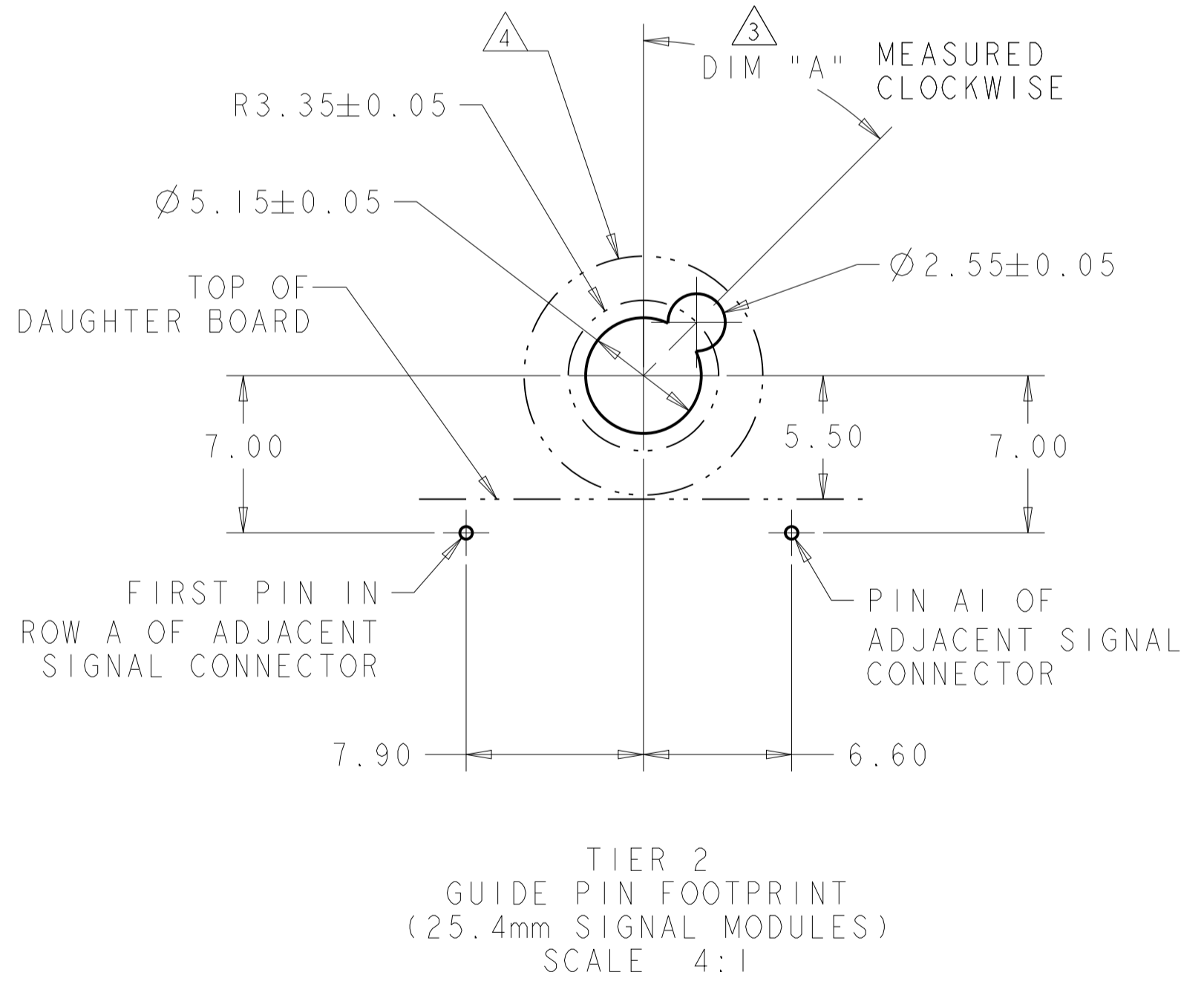
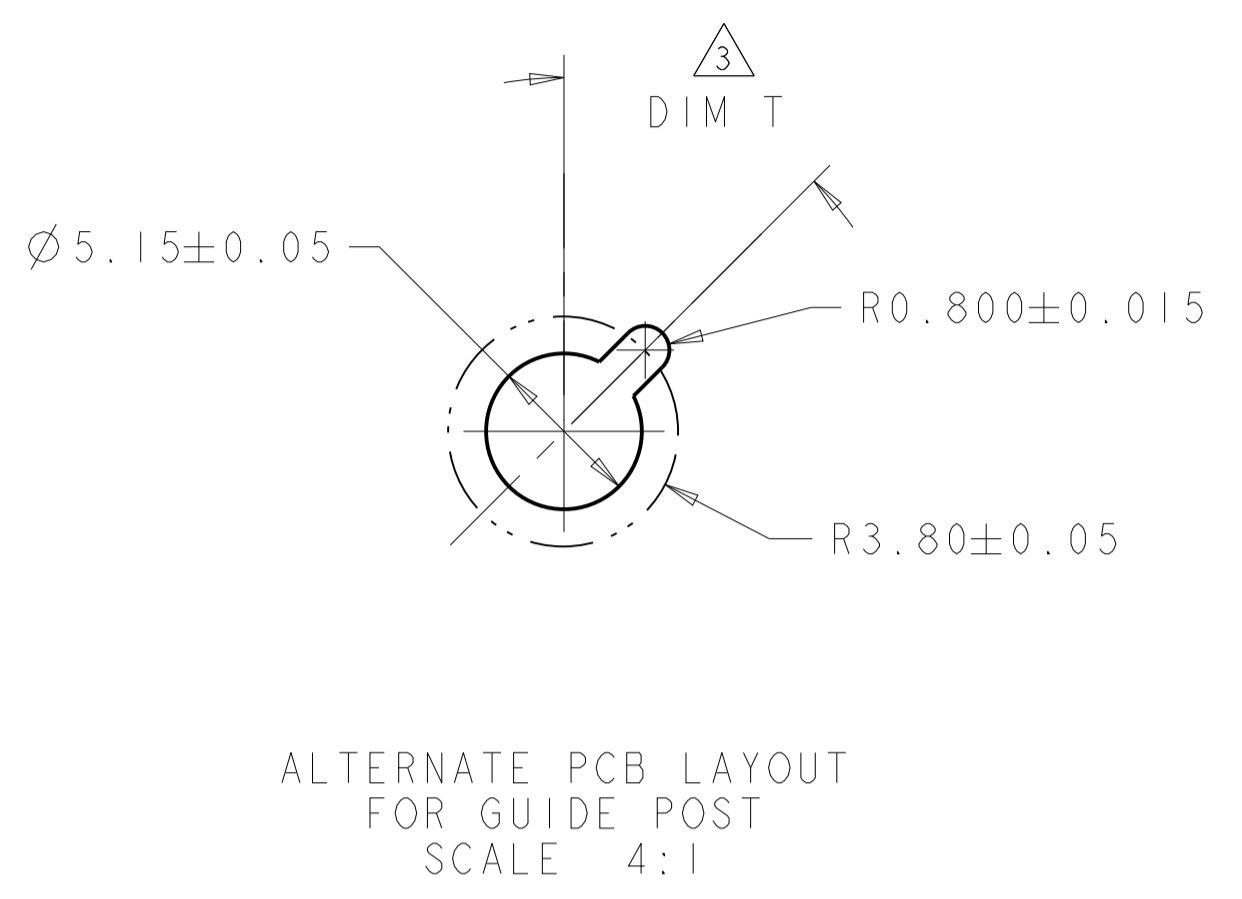
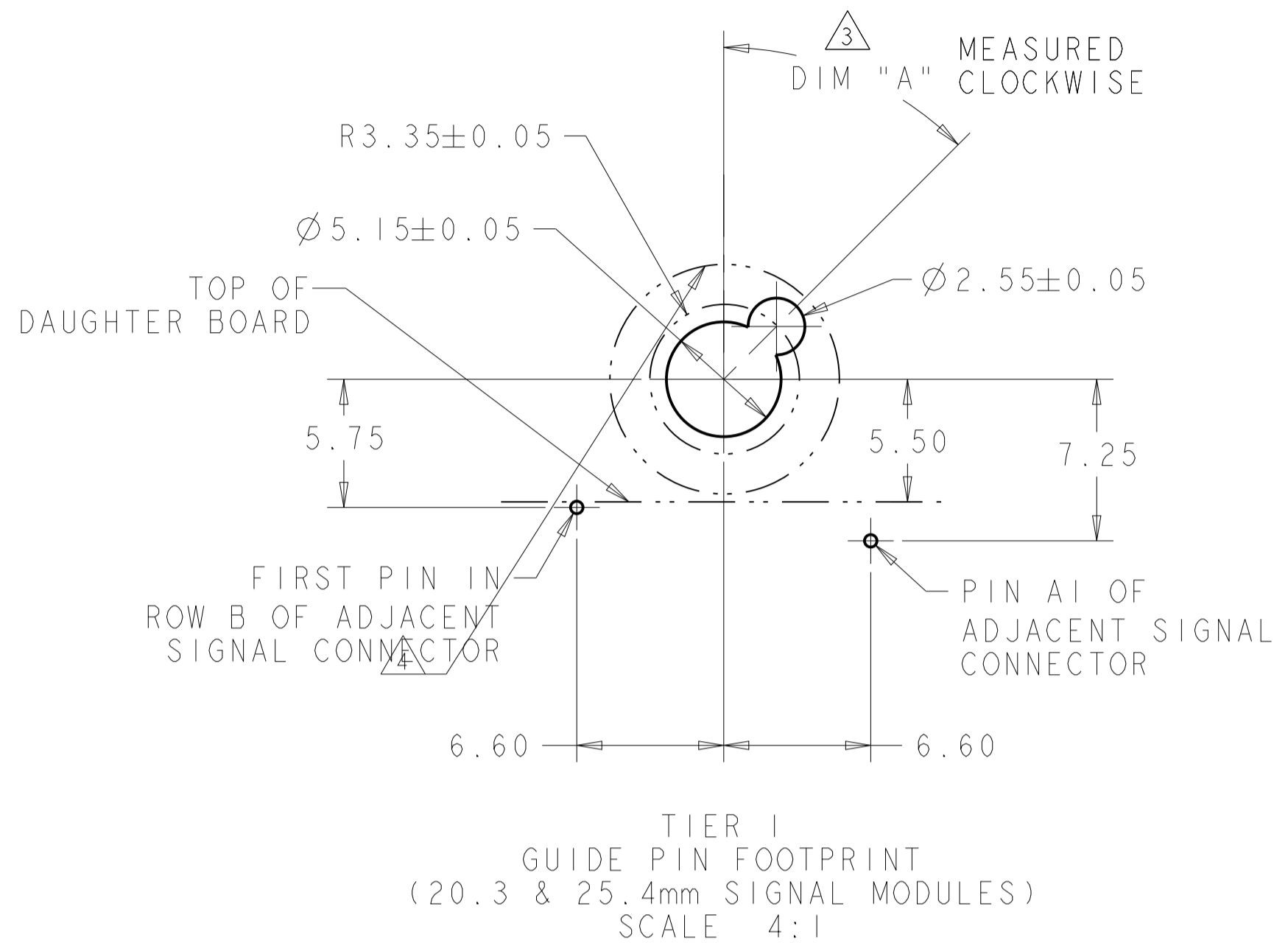
108-2072

114-13056

100779

SCALE 8:1 SHEET 1 OF 2 REV N

REVISIONS				
P.	LTN	DESCRIPTION	DATE	APP'D
-	-	SEE SHEET 1	-	-



W/O ESD SPRING	NO KEY	2-2000677-9
W/O ESD SPRING	315°	2-2000677-8
W/O ESD SPRING	270°	2-2000677-7
W/O ESD SPRING	90°	2-2000677-3
W/O ESD SPRING	45°	2-2000677-2
W/O ESD SPRING	0°	2-2000677-1
W/O ESD SPRING	0°	2-2000677-0
W/O ESD SPRING	NO KEY	1-2000677-9
W/O ESD SPRING	315°	1-2000677-8
W/O ESD SPRING	270°	1-2000677-7
W/O ESD SPRING	90°	1-2000677-3
W/O ESD SPRING	45°	1-2000677-2
W/ESD SPRING	NO KEY	2000713-6
W/ESD SPRING	315°	2000713-5
W/ESD SPRING	270°	2000713-4
W/ESD SPRING	90°	2000713-3
W/ESD SPRING	45°	2000713-2
W/ESD SPRING	0°	2000713-1
ESD SPRING	DIM T	20.3mm GUIDE MODULE

MATING GUIDE MODULE $\triangle 3$

THIS DRAWING IS A CONTROLLED DOCUMENT. **TE** Connectivity

DIMENSIONS:	TOLERANCES UNLESS OTHERWISE SPECIFIED:	OWN: McALONIS, M. 10JAN08	CHK: McALONIS, M. 10JAN08	APVD: McALONIS, M. 10JAN08
mm	0 PLC ±0.5 2 PLC ±0.13 3 PLC ±0.013 4 PLC ±0.013	PRODUCT SPEC: 108-2072	APPLICATION SPEC: 114-13056	SIZE: A
MATERIAL:	FINISH:	WEIGHT:	CAGE CODE: 2000676	RESTRICTED TO: N
CUSTOMER DRAWING		SCALE: 1:1	SHEET: 2 OF 2	REV: N

X-ON Electronics

Largest Supplier of Electrical and Electronic Components

Click to view similar products for [High Speed/Modular Connectors](#) category:

Click to view products by [TE Connectivity](#) manufacturer:

Other Similar products are found below :

[650827-1](#) [74040-1346](#) [1410191-1](#) [1410368-3](#) [1410964-2](#) [1410326-3](#) [1410367-3](#) [1410971-4](#) [1467833-1](#) [2000877-1](#) [2000878-1](#) [2041314-1](#)
[2065387-1](#) [2187307-1](#) [163P](#) [1934290-1](#) [2000875-1](#) [2065917-1](#) [2102736-2](#) [FSR-40](#) [2169868-2](#) [22354-8](#) [437-5040-000](#) [5-1393565-0](#) [039-](#)
[0246-000](#) [0740618502](#) [0761601016](#) [0784461022](#) [10123159-12ELF](#) [030-2415-003/100 PK](#) [030-7380-004](#) [030-2494-001](#) [532939-1](#) [5532901-](#)
[3](#) [3-1469268-7](#) [74748-102LF](#) [10041743-101LF](#) [10066670-100002LF](#) [1-533915-1](#) [249-4515-000](#) [7-1469373-3](#) [DL2-2J/S](#) [2000713-8](#)
[2000713-7](#) [10124313-101LF](#) [3011-21](#) [757105208](#) [EBTF-4-10-2.0-S-RA-1](#) [430305-001](#) [4395800100](#)