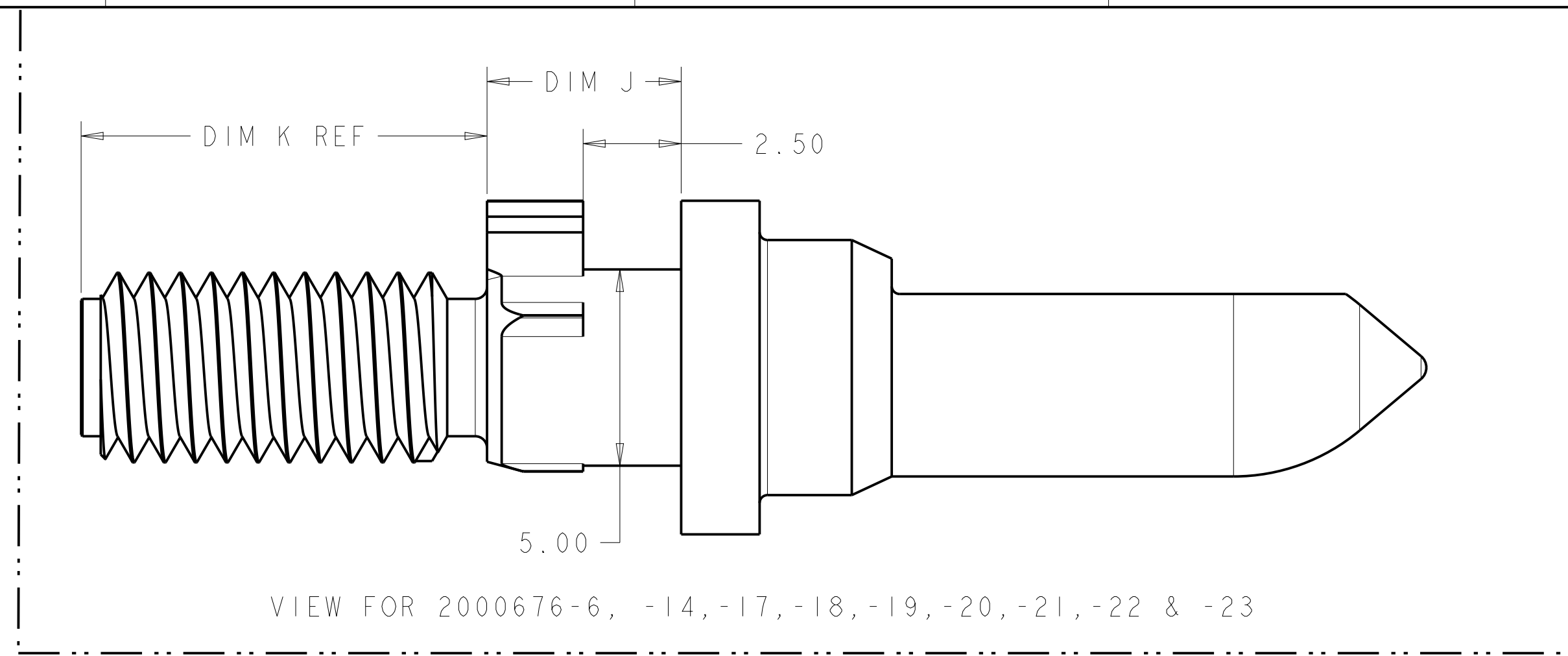
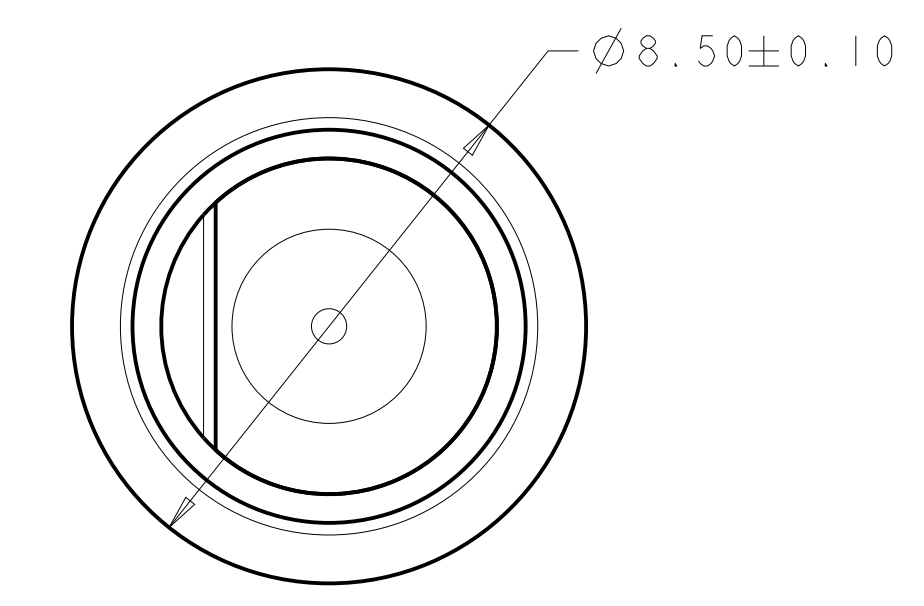
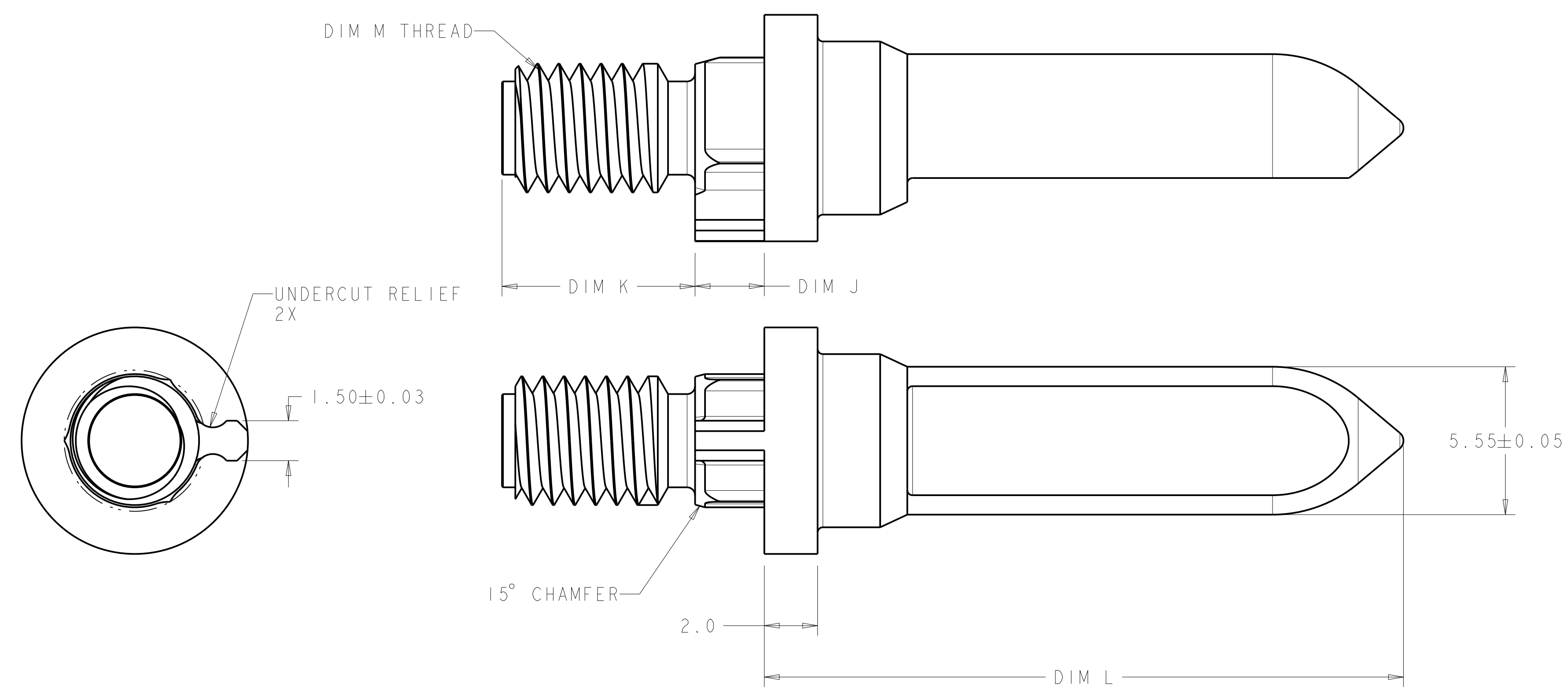


| REVISIONS |         |                       |    |     |
|-----------|---------|-----------------------|----|-----|
| REV       | DATE    | DESCRIPTION           | BY | CHK |
| N         | 3-24-21 | REV PER ECO 21-002470 | CT | DH  |



- 1 MATERIAL: STAINLESS STEEL (303)
- 2 FINISH: PASSIVATED
- 3 KEY HOLE ORIENTATION (DIM A) PER MATING GUIDE MODULE PART NUMBER TABLE (ORIENTATION SHOWN ON PCB LAYOUT IS FOR 1-2000677-2 OR 2000713-2)
- 4 ANNULAR RING PLATED AROUND GUIDE PIN MOUNTING HOLE ON TOP AND BOTTOM SIDE OF BOARD
- 5 PRELIMINARY-NOT RELEASED FOR PRODUCTION



|              |       |       |       |             |
|--------------|-------|-------|-------|-------------|
| 10-32 UNF    | 15    | 7.25  | 4.20  | 2-2000676-5 |
| 10-32 UNF    | 15    | 7.25  | 5.70  | 2-2000676-4 |
| 10-32 UNF    | 19    | 38.10 | 5.70  | 2-2000676-3 |
| 10-32 UNF    | 24    | 38.10 | 5.70  | 2-2000676-2 |
| 10-32 UNF    | 19    | 31.70 | 5.70  | 2-2000676-1 |
| 10-32 UNF    | 24    | 12.70 | 3.30  | 2-2000676-0 |
| 10-32 UNF    | 24    | 31.75 | 5.70  | 1-2000676-9 |
| 10-32 UNF    | 24    | 10.35 | 4.95  | 1-2000676-8 |
| 10-32 UNF    | 19    | 10.35 | 4.95  | 1-2000676-7 |
| 10-32 UNF    | 24    | 9.00  | 1.32  | 1-2000676-6 |
| 10-32 UNF    | 24    | 5.40  | 2.60  | 1-2000676-5 |
| 10-32 UNF    | 24    | 18.00 | 5.70  | 1-2000676-4 |
| 10-32 UNF    | 19    | 7.25  | 5.70  | 1-2000676-3 |
| 10-32 UNF    | 19    | 7.25  | 4.20  | 1-2000676-2 |
| 10-32 UNF    | 19    | 7.25  | 1.32  | 1-2000676-0 |
| M5X.8-6g     | 24    | 6.30  | 2.40  | 2000676-9   |
| M5X.8-6g     | 19    | 9.00  | 3.40  | 2000676-8   |
| M5X.8-6g     | 24    | 9.00  | 3.40  | 2000676-7   |
| 10-32 UNF    | 24    | 10.35 | 5.70  | 2000676-6   |
| 10-32 UNF    | 24    | 7.25  | 7.30  | 2000676-5   |
| 10-32 UNF    | 24    | 7.25  | 5.70  | 2000676-4   |
| 10-32 UNF    | 24    | 7.25  | 4.20  | 2000676-3   |
| 10-32 UNF    | 24    | 7.25  | 2.60  | 2000676-2   |
| 10-32 UNF    | 24    | 7.25  | 1.32  | 2000676-1   |
| DIM M THREAD | DIM L | DIM K | DIM J | PART NUMBER |

THIS DRAWING IS A CONTROLLED DOCUMENT.

TE Connectivity

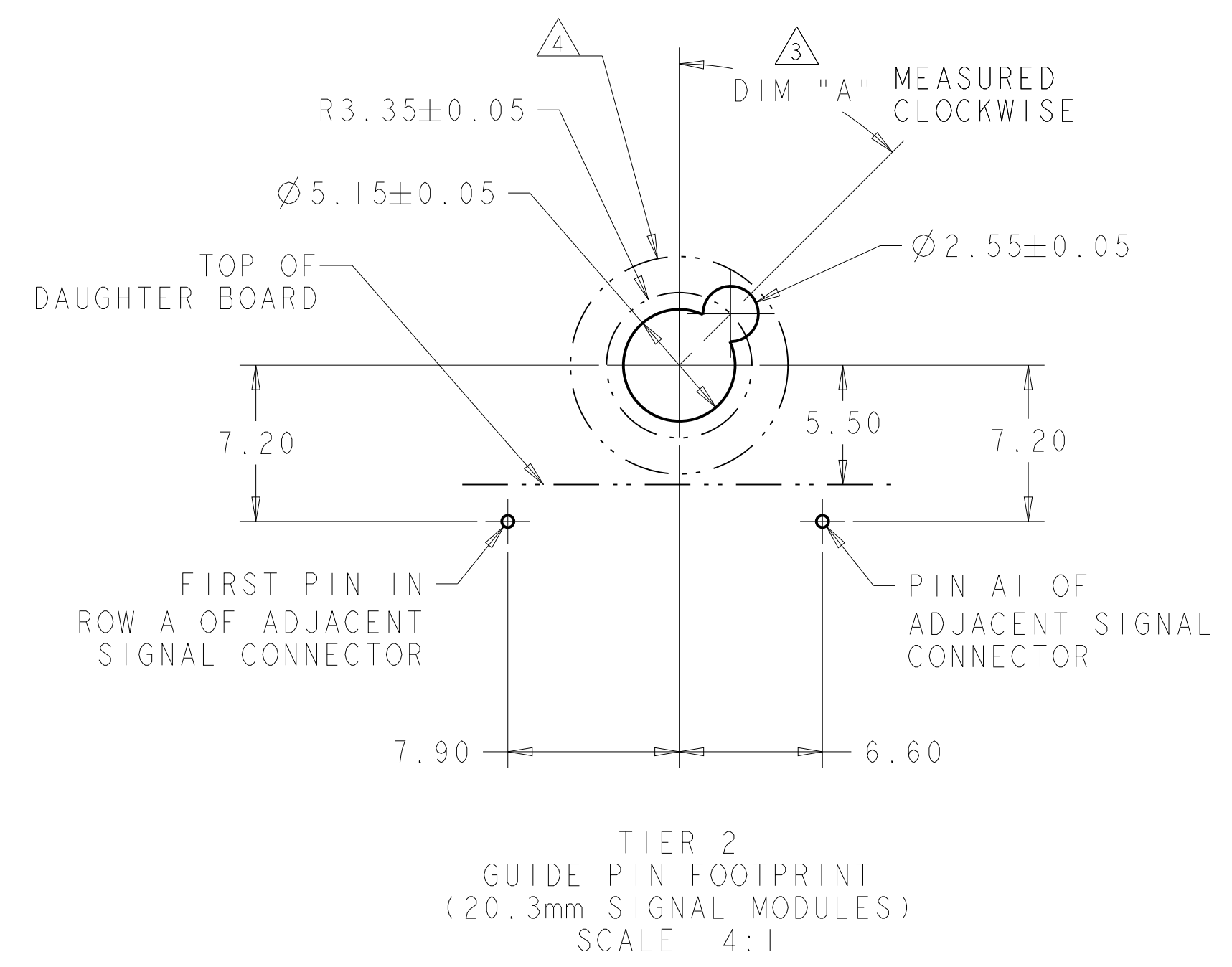
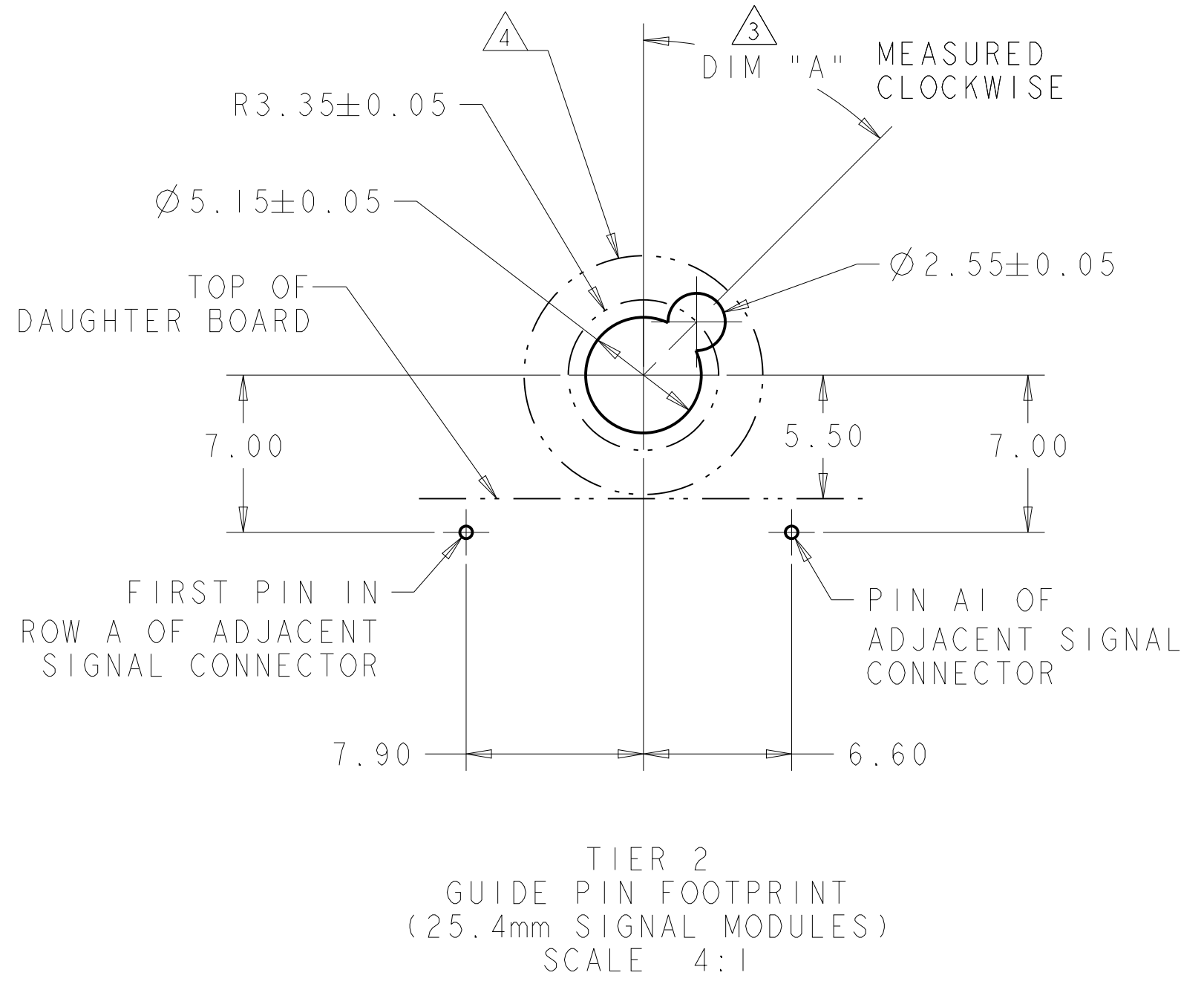
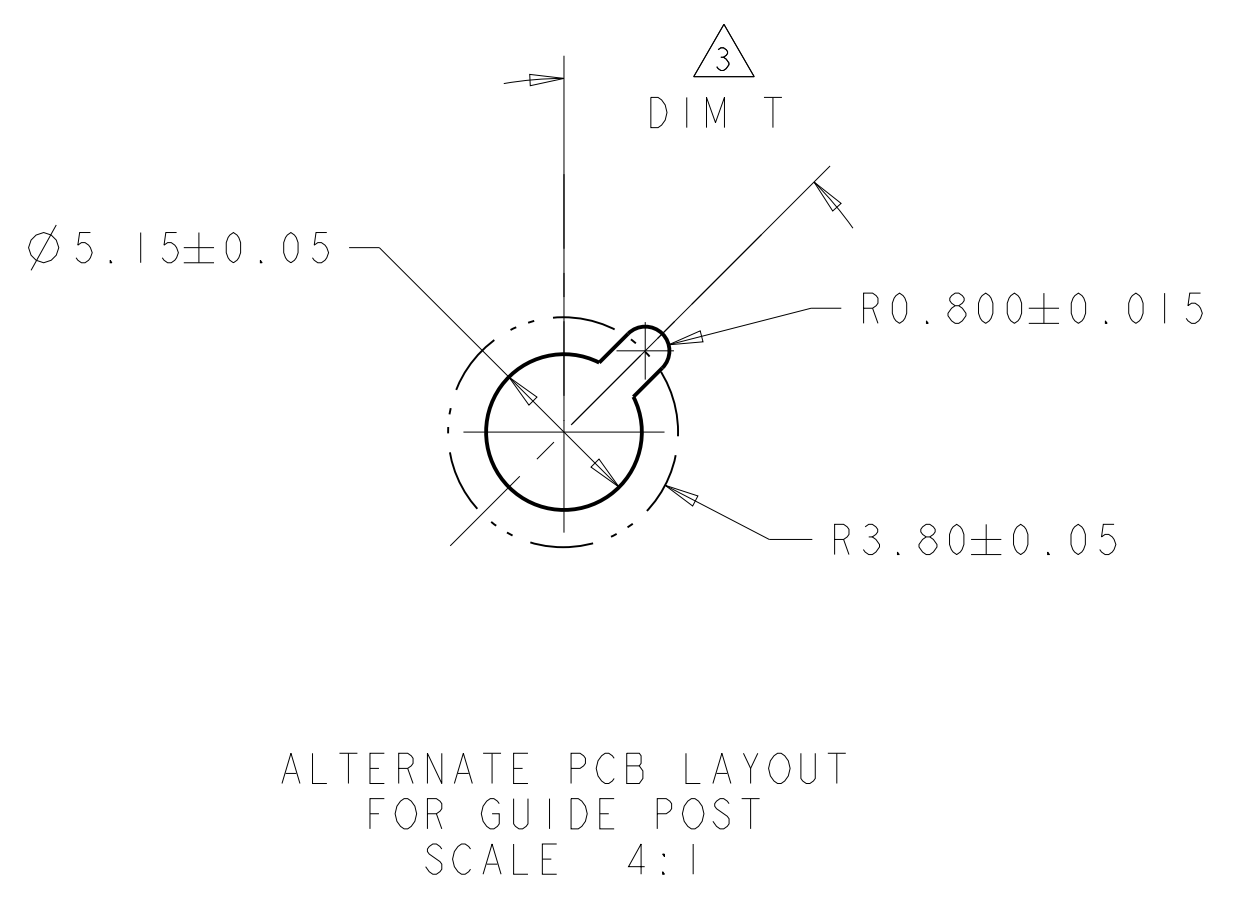
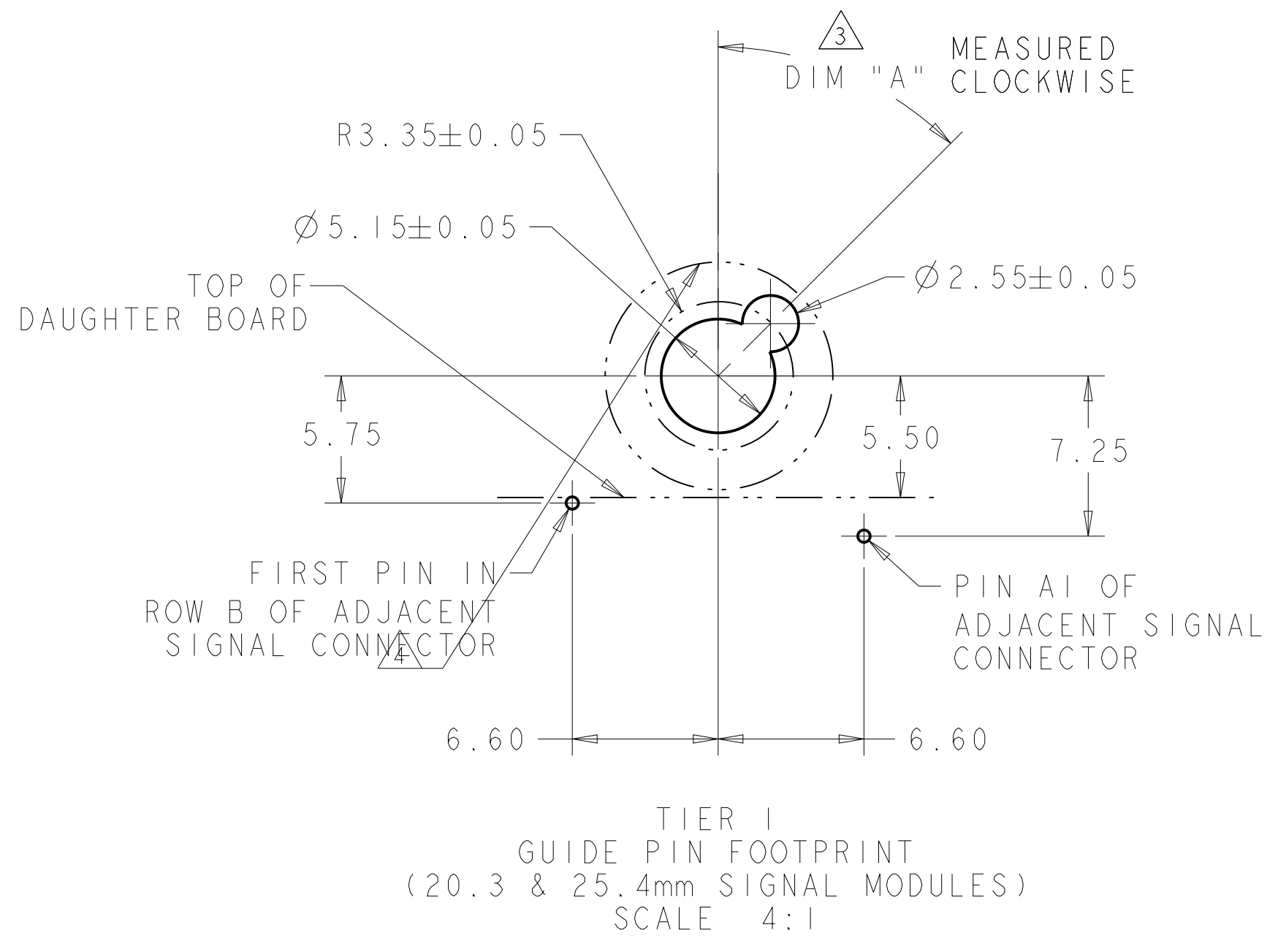
KEYED GUIDE PIN, MACHINED BACKPLANE CONNECTOR, MULTIGIG, THREADED POST

108-2072

114-13056

SCALE 8:1 SHEET 1 OF 2 REV N

| REVISIONS |     |             |      |       |
|-----------|-----|-------------|------|-------|
| P.        | LTN | DESCRIPTION | DATE | APP'D |
| -         | -   | SEE SHEET 1 | -    | -     |
|           |     |             |      |       |
|           |     |             |      |       |



|                |        |                        |
|----------------|--------|------------------------|
| W/O ESD SPRING | NO KEY | 2-2000677-9            |
| W/O ESD SPRING | 315°   | 2-2000677-8            |
| W/O ESD SPRING | 270°   | 2-2000677-7            |
| W/O ESD SPRING | 90°    | 2-2000677-3            |
| W/O ESD SPRING | 45°    | 2-2000677-2            |
| W/O ESD SPRING | 0°     | 2-2000677-1            |
| W/O ESD SPRING | 0°     | 2-2000677-0            |
| W/O ESD SPRING | NO KEY | 1-2000677-9            |
| W/O ESD SPRING | 315°   | 1-2000677-8            |
| W/O ESD SPRING | 270°   | 1-2000677-7            |
| W/O ESD SPRING | 90°    | 1-2000677-3            |
| W/O ESD SPRING | 45°    | 1-2000677-2            |
| W/ESD SPRING   | NO KEY | 2000713-6              |
| W/ESD SPRING   | 315°   | 2000713-5              |
| W/ESD SPRING   | 270°   | 2000713-4              |
| W/ESD SPRING   | 90°    | 2000713-3              |
| W/ESD SPRING   | 45°    | 2000713-2              |
| W/ESD SPRING   | 0°     | 2000713-1              |
| ESD SPRING     | DIM T  | 20.3mm<br>GUIDE MODULE |

MATING GUIDE MODULE  $\triangle 3$

THIS DRAWING IS A CONTROLLED DOCUMENT. **TE** Connectivity

|             |   |                           |                             |                            |
|-------------|---|---------------------------|-----------------------------|----------------------------|
| DIMENSIONS: | TOLERANCES UNLESS OTHERWISE SPECIFIED:                | OWN: McALONIS, M. 10JAN08 | CHK: McALONIS, M. 10JAN08   | APVD: McALONIS, M. 10JAN08 |
| mm          | 0 PLC ±.5<br>2 PLC ±0.13<br>3 PLC ±0.013<br>4 PLC ±.5 | PRODUCT SPEC: 108-2072    | APPLICATION SPEC: 114-13056 | WEIGHT: -                  |
| MATERIAL: - | FINISH: -   | CAGE CODE: A100779        | DRAWING NO: C=2000676       | CUSTOMER DRAWING           |

KEYED GUIDE PIN, MACHINED BACKPLANE CONNECTOR, MULTIGIG, THREADED POST

SCALE 1:1 SHEET 2 OF 2 REV N

## X-ON Electronics

Largest Supplier of Electrical and Electronic Components

*Click to view similar products for [High Speed/Modular Connectors](#) category:*

*Click to view products by [TE Connectivity](#) manufacturer:*

Other Similar products are found below :

[650827-1](#) [74040-1346](#) [1410191-1](#) [1410368-3](#) [1410964-2](#) [1410326-3](#) [1410367-3](#) [1410971-4](#) [1467833-1](#) [2000877-1](#) [2000878-1](#) [2041314-1](#)  
[2065387-1](#) [2187307-1](#) [163P](#) [1934290-1](#) [2000875-1](#) [2065917-1](#) [2102736-2](#) [FSR-40](#) [2169868-2](#) [22354-8](#) [437-5040-000](#) [5-1393565-0](#) [039-](#)  
[0246-000](#) [0740618502](#) [0761601016](#) [0784461022](#) [10123159-12ELF](#) [030-2415-003/100 PK](#) [030-7380-004](#) [030-2494-001](#) [532939-1](#) [5532901-](#)  
[3](#) [3-1469268-7](#) [74748-102LF](#) [10041743-101LF](#) [10066670-100002LF](#) [1-533915-1](#) [249-4515-000](#) [7-1469373-3](#) [DL2-2J/S](#) [2000713-8](#)  
[2000713-7](#) [10124313-101LF](#) [3011-21](#) [757105208](#) [430305-001](#) [4395800100](#) [8140115](#)