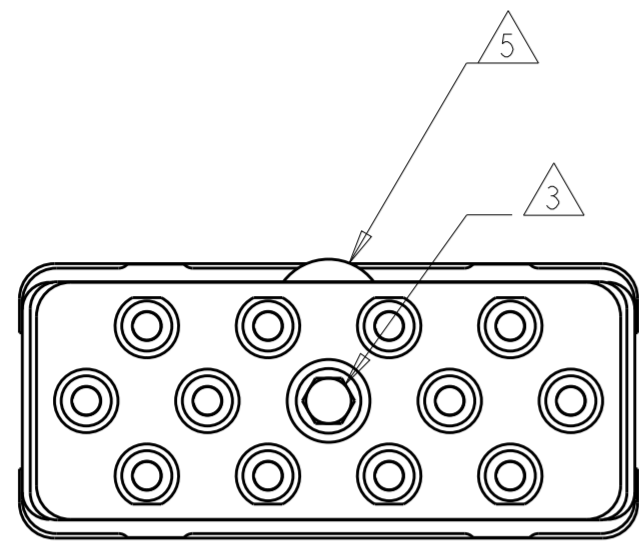


THIS DRAWING IS UNPUBLISHED. RELEASED FOR PUBLICATION 20
 © COPYRIGHT 20 BY - ALL RIGHTS RESERVED.

REVISIONS				
P	LTR	DESCRIPTION	DATE	APVD
	A	RELEASED PER ECO 15-013858	10-1-15	CT KH



MATING FACE

- 1 FRONT HOUSING & REAR HOUSING: THERMOSETTING PLASTIC PER ASTM D5948
 SLEEVE HOLDER HOUSINGS: HIGH-TEMP THERMOPLASTIC PER ASTM D4067
 TERMINI RETENTION CLIPS: COPPER ALLOY PER ASTM B194
 SLEEVE HOLDER SCREW, HOUSING NUT, REAR RETAINING SCREW: STAINLESS STEEL PER AISI 303.
 REAR GROMMET & INTERFACIAL SEAL: FLUOROSILICONE ELASTOMER
 SLEEVES: ZIRCONIA

2 THE SLEEVE HOLDER SUB-ASSEMBLY IS ALSO AVAILABLE SEPARATELY, TYCO P/N 2102166-1.

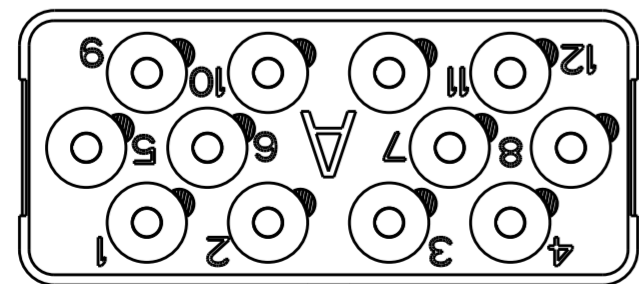
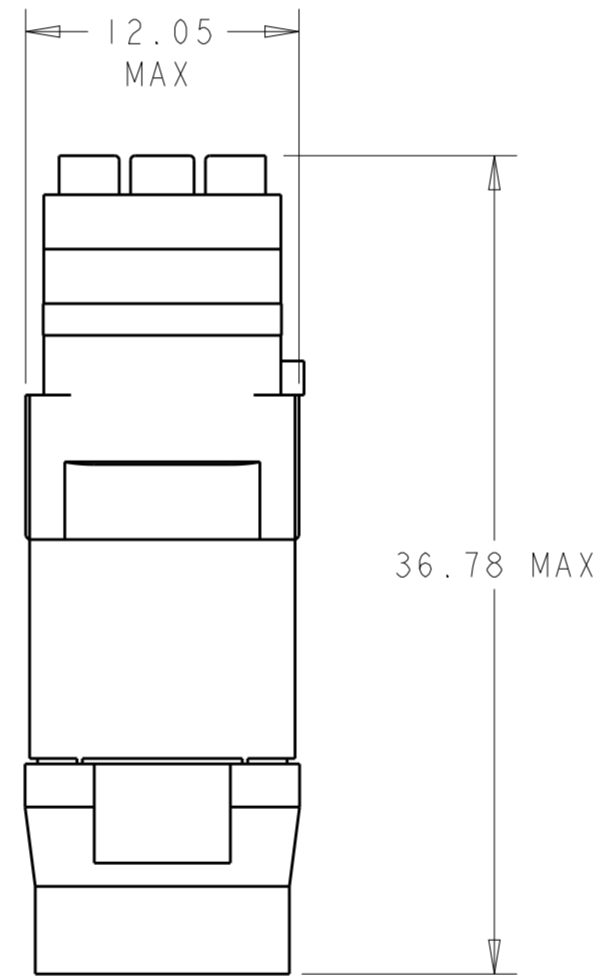
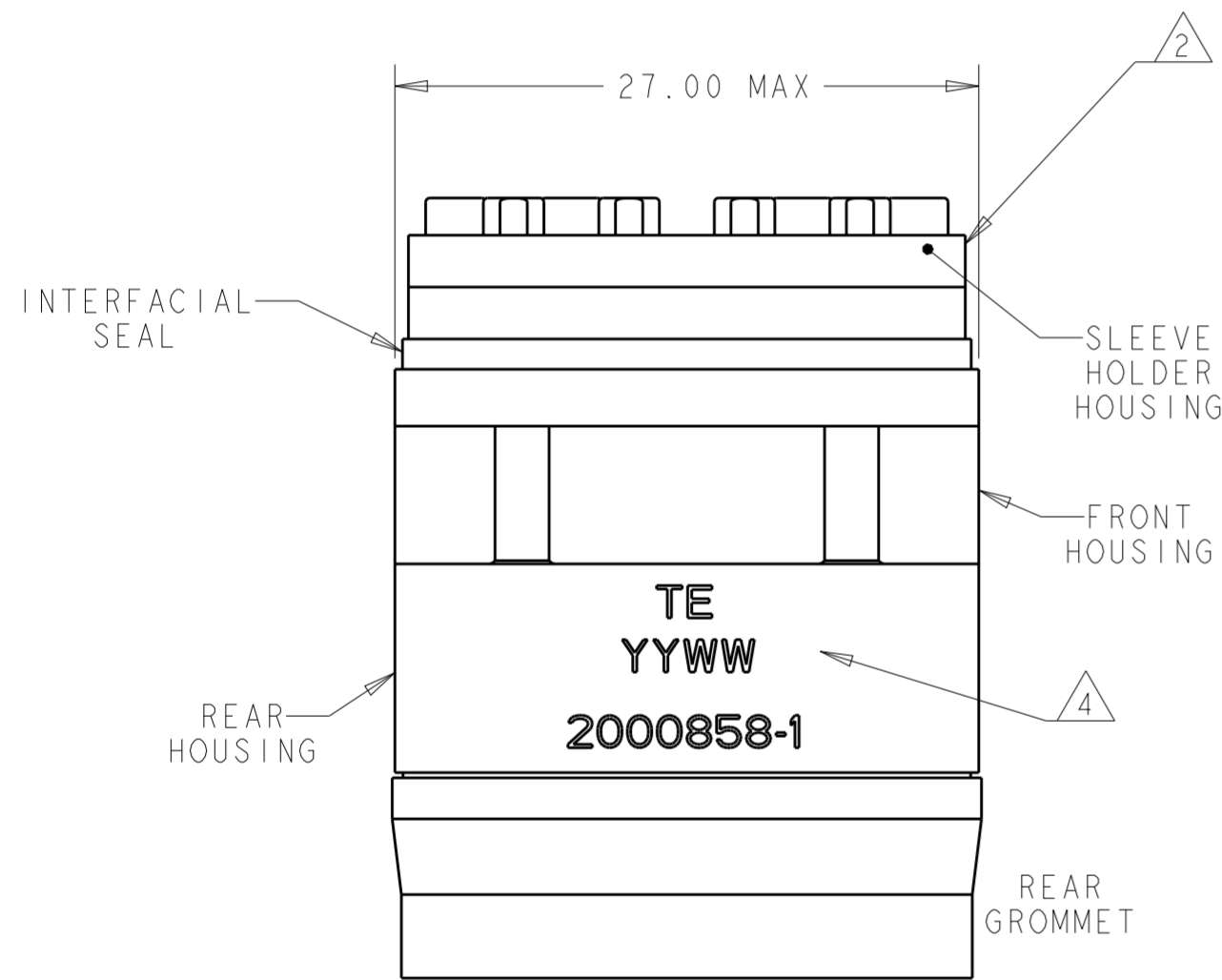
3 HEX KEY SLOT FOR 9/64 ALLEN WRENCH FOR SLEEVE HOLDER REMOVAL;
 RECOMMENDED INSTALLATION TORQUE: 0.2-0.25 N-m

4 DATE CODE: YEAR & WEEK (YY WW)

5 KEYING FEATURE: SINGLE PROTRUSION FOR KEYING CODE A

6 DESCRIPTIVE PART NUMBER GPRBEF12CSA
 THIS INSERT CONTAINS: 12 CAVITIES FOR SIZE 16 ARINC 801 OPTICAL CONTACTS.

7 THIS PRODUCT IS SOLD BY TE CONNECTIVITY UNDER A LICENSE FROM RADIALL SA.



REAR FACE

2000858-1
 PART NUMBER

THIS DRAWING IS A CONTROLLED DOCUMENT.		DWN R FLAIG 05JAN2010	TE Connectivity	
DIMENSIONS: mm		CHK J MOSLER 05JAN2010		
TOLERANCES UNLESS OTHERWISE SPECIFIED:		APVD J MOSLER 05JAN2010	NAME INSERT ASSEMBLY, WITH SLEEVE HOLDER, ENVIRONMENTAL, F12C (COMPOSITE), KEY A, GPRB	
0 PLC ± 1 PLC ± 2 PLC ±0.1 3 PLC ±0.13 4 PLC ± ANGLES ± FINISH -		PRODUCT SPEC -	SIZE A2	CAGE CODE 00779
MATERIAL		APPLICATION SPEC -	DRAWING NO C-2000858	RESTRICTED TO -
		WEIGHT -	SCALE 3:1	SHEET 1 OF 1
		Customer Drawing	REV A	

X-ON Electronics

Largest Supplier of Electrical and Electronic Components

Click to view similar products for [TE Connectivity](#) manufacturer:

Other Similar products are found below :

[D38999/24FJ4AN](#) [570416-000](#) [CLTEQ-M81CE-SSRELAY-4-20V](#) [4-1195131-0](#) [650069-000](#) [SMD100-2](#) [358838-000](#) [CB-1022B-78](#)
[RM707012](#) [RP410012](#) [MMS42](#) [1-640426-8](#) [2EDL4CM](#) [DTS20W19-11PD-3028-LC](#) [RM202615](#) [NC6-P104-06](#) [MSPS103B](#) [DTS26F21-](#)
[41HE-LC](#) [DTS26F21-41AE](#) [DTS26F21-41PE-LC](#) [DTS26F21-11SE-3028-LC](#) [30DCB6](#) [1932144-1](#) [293545-4](#) [LVR125S](#) [MS27466T25F4PB](#)
[CKB-38-78010](#) [TR04AI-TINELLOCKRING](#) [1206SFF150F/63-2](#) [D38999/20JB35HA](#) [TE1500A2R2J](#) [D38999/20WC8BB](#) [DTS24F19-11SC-](#)
[3028-LC](#) [D38999/24WG11HA](#) [D38999/24WG11HN](#) [MS27467T21F11H](#) [DJT16E21-11HA](#) [MS27467T21F35J](#) [MS27467T21F11J](#)
[MS27467T21F16H-LC](#) [MS27467T21F35H](#) [MS27467T21F41H-LC](#) [1206SFH150F/24-2](#) [RP330024](#) [DJT16E21-11PA-LC](#) [DJT16E21-11HA-](#)
[LC](#) [DJT16E21-11AA](#) [MS27467T21B11JA](#) [DJT16E21-11JA](#) [MS27467T21B11JA-LC](#)