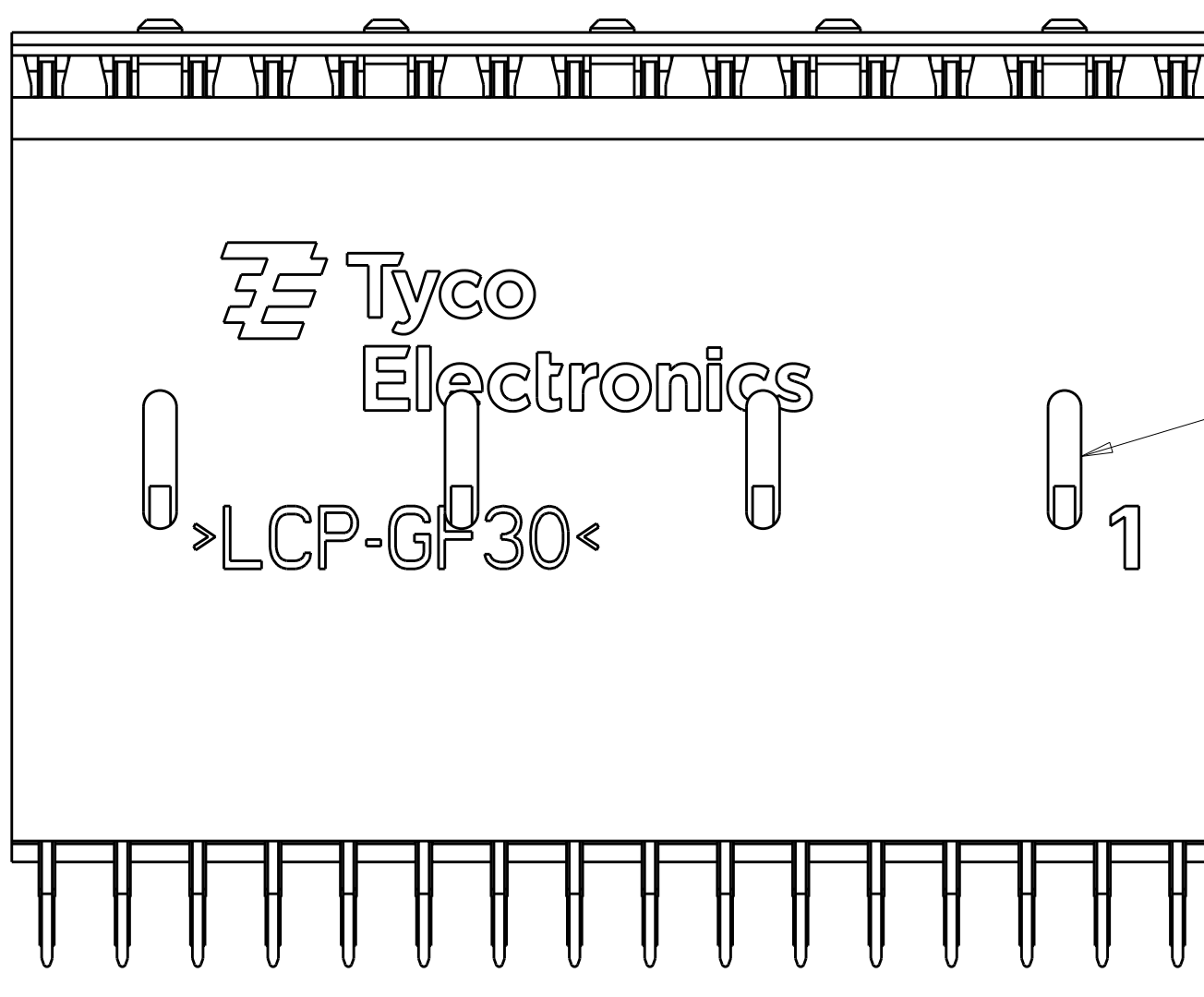
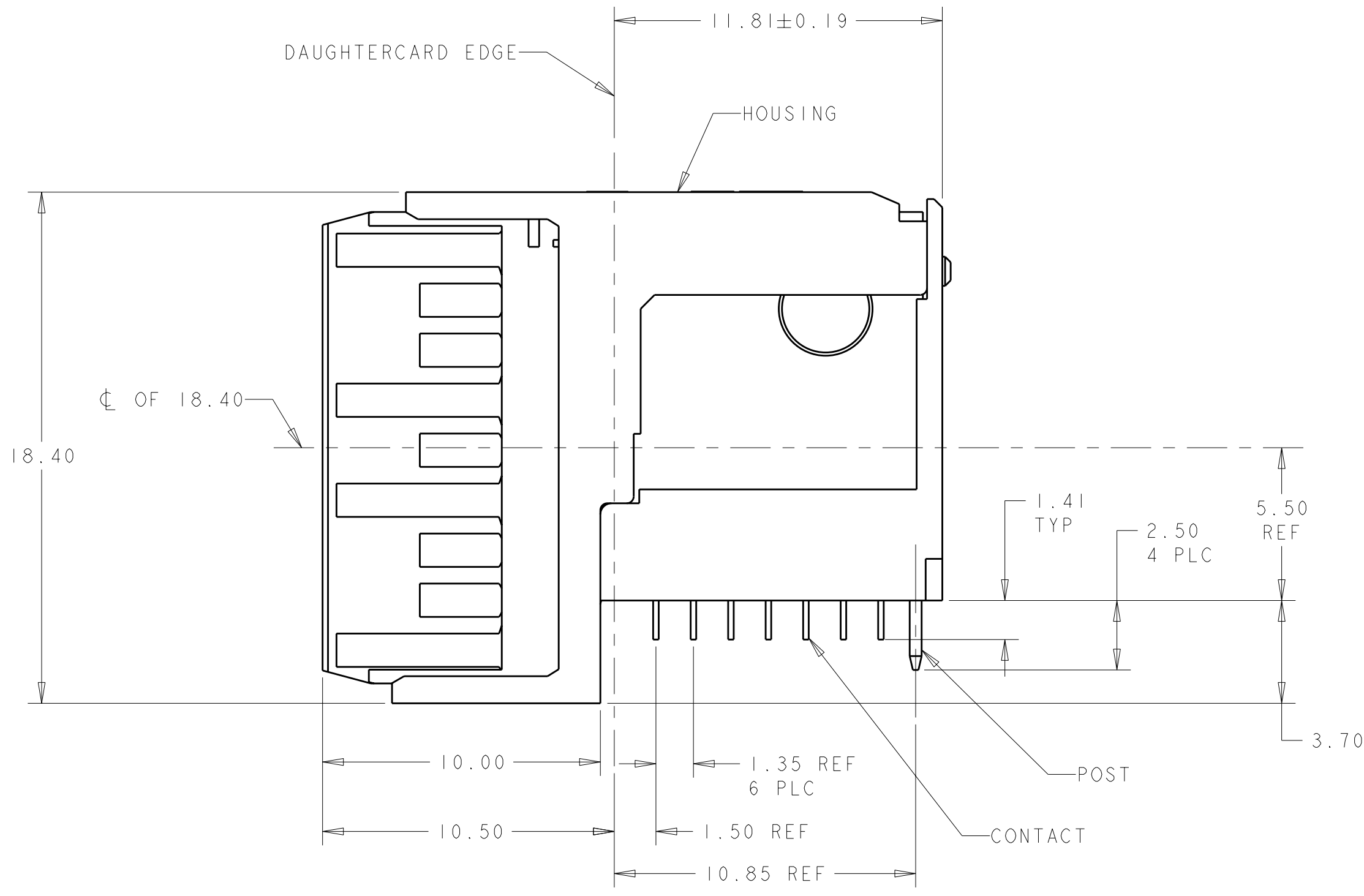
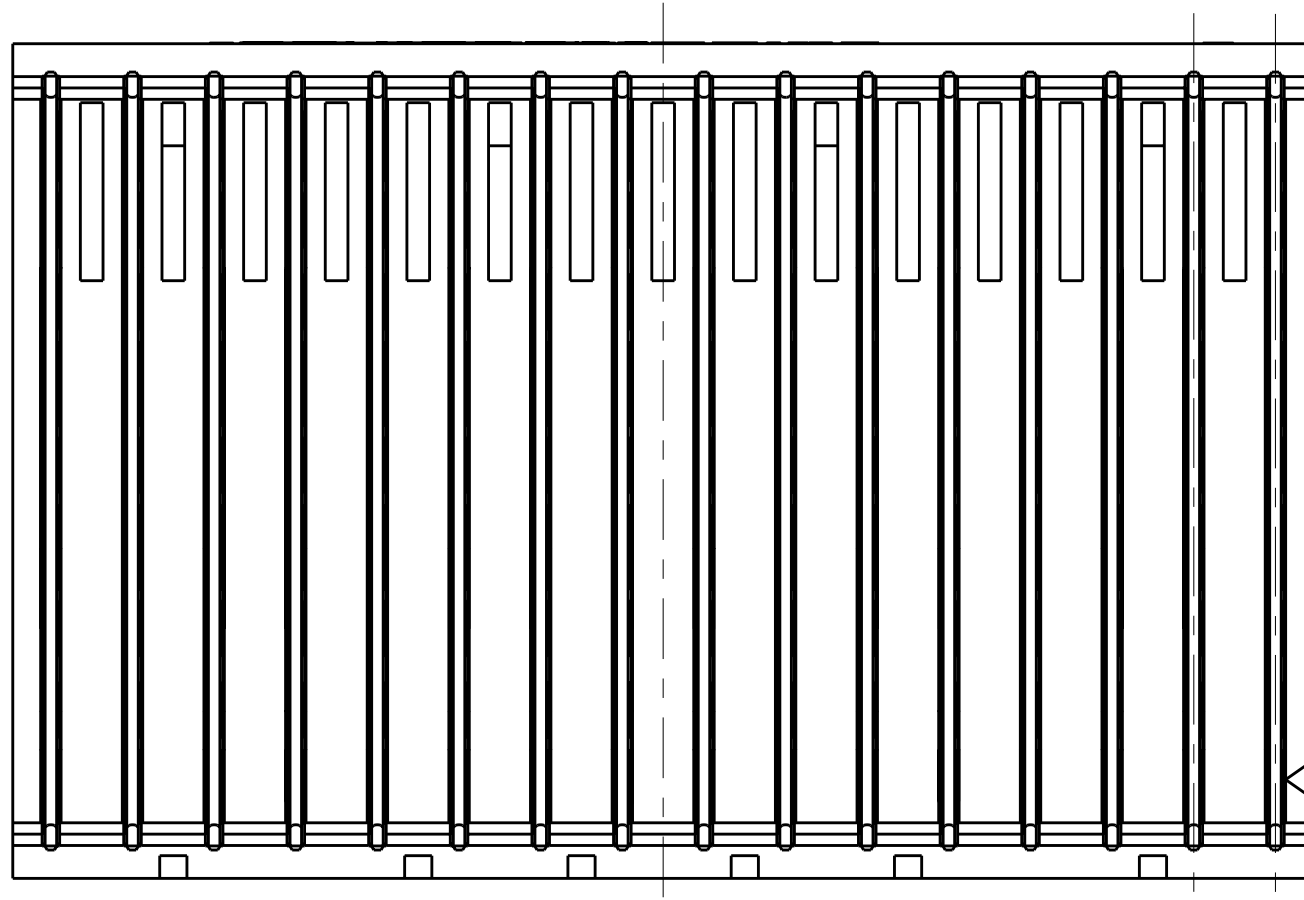


REVISONS		DATE	OWN	APVD
DF	A5			
	I	05AUG2009	BY	MM



SLOTS FOR RECEIVING SHIELD  
RETENTION LEGS

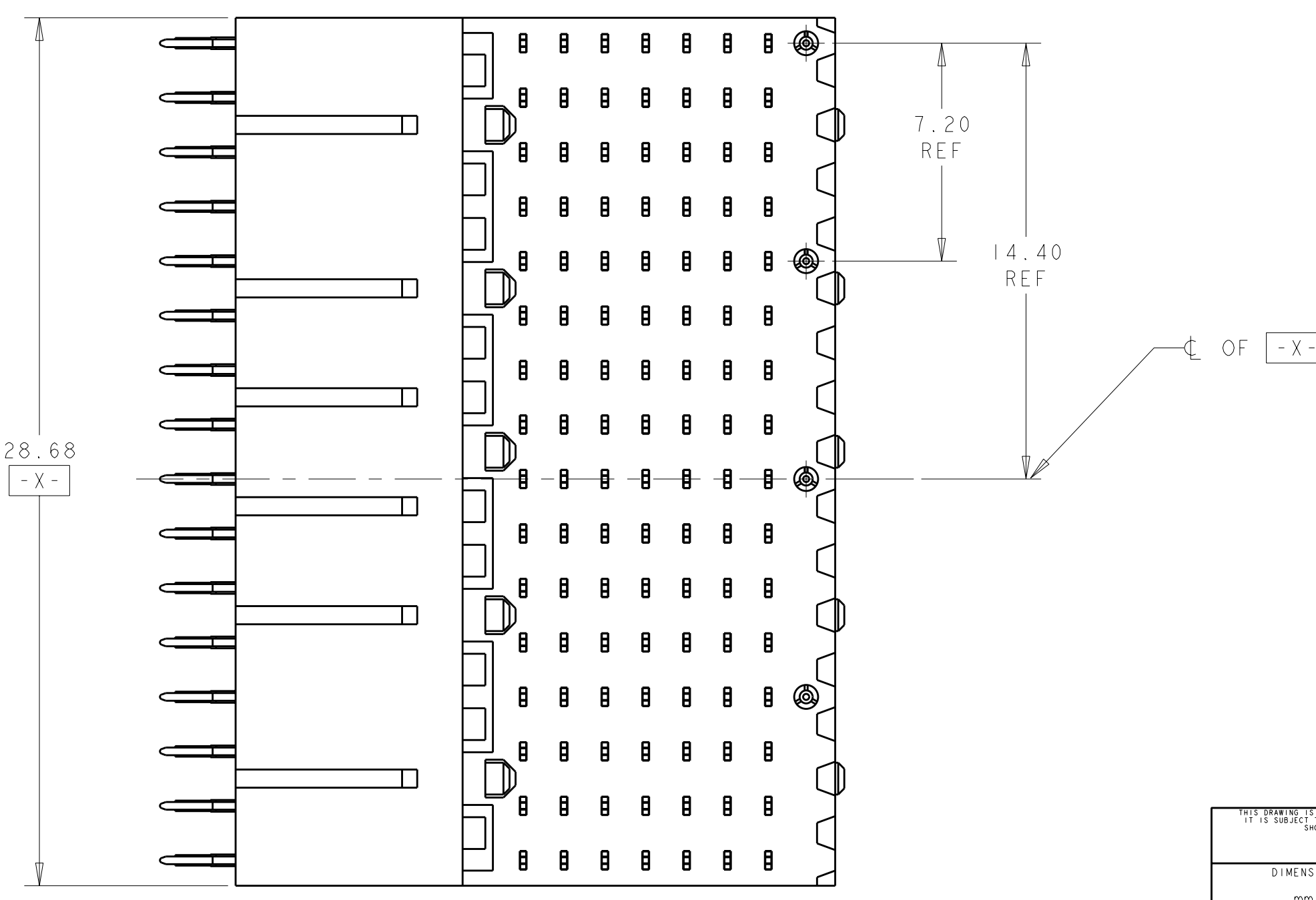
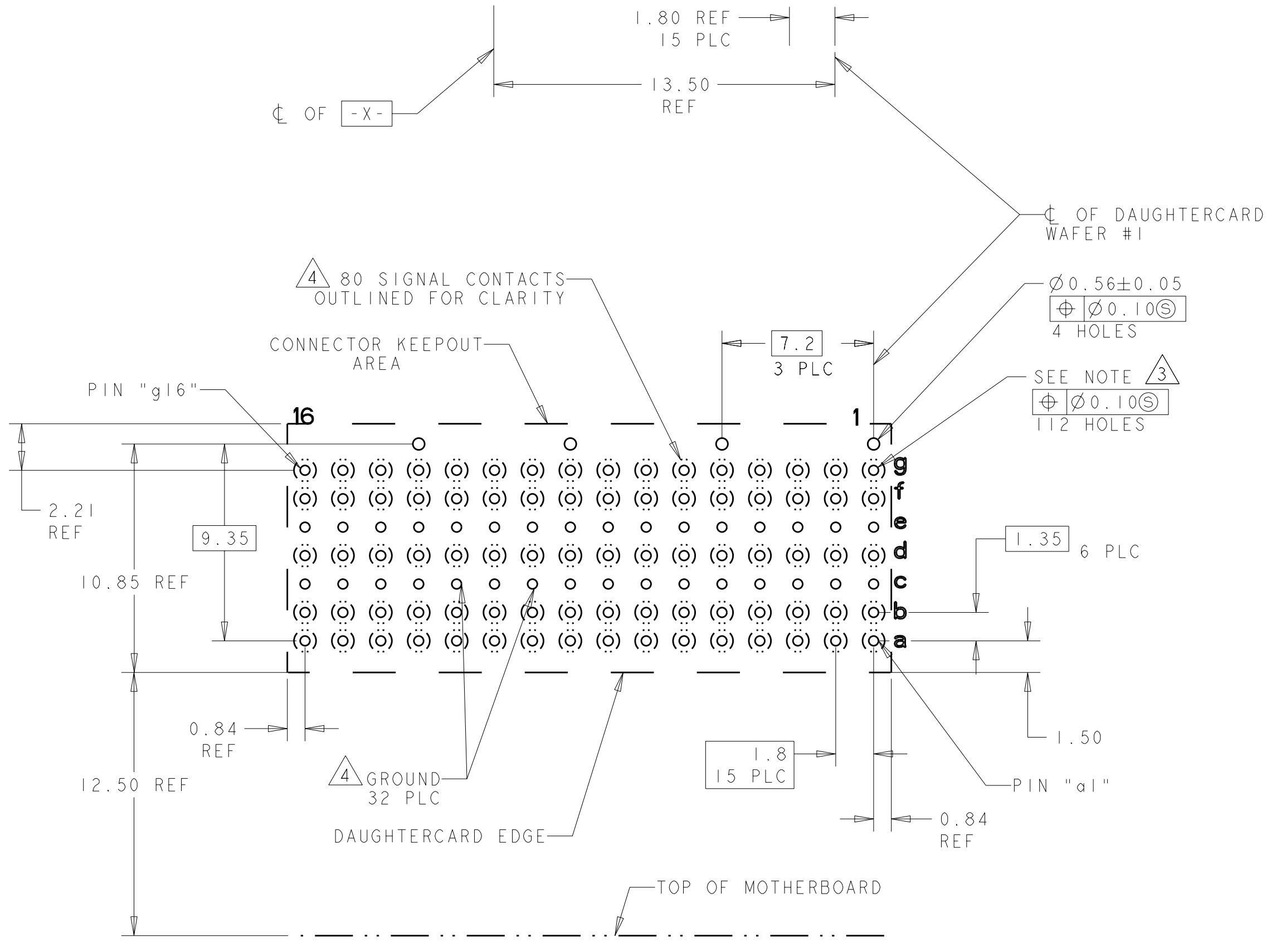


- 1 HOUSING: LCP, UL94V0, COLOR: BLACK.  
CONTACT: PHOSPHOR BRONZE.  
POST: BRASS WIRE
- 2 CONTACT: 1.27µm MIN GOLD IN PAD CONTACT AREA.  
1.27µm MIN TIN-LEAD ON PCB TAIL  
OVER 1.27µm MIN NICKEL OVER ALL.  
POST 1.27µm MIN NICKEL PLATED.
- 3 MANUFACTURING TOLERANCE FOR  $\phi 0.46 \pm 0.05$   
DIAMETER FINISHED HOLE WITH SnPB PLATING:  
DRILLED HOLE =  $\phi 0.55 \pm 0.02$   
COPPER PLATING = 0.025-0.050  
Sn PB PLATING = 0.0038-0.0124
- OR MANUFACTURING TOLERANCE FOR  $\phi 0.475 \pm 0.05$   
DIAMETER FINISHED HOLE WITHOUT SnPB PLATING:  
DRILLED HOLE =  $\phi 0.55 \pm 0.02$   
COPPER PLATING = 0.025-0.050
- 4 SEE TABLE 1 FOR INTERCONNECTIONS TO  
BACKPLANE CONNECTOR.

TABLE 1  
INTERCONNECTIONS WITH BACKPLANE CONNECTOR 1410140

TYPICAL INTERCONNECTIONS FOR EACH COLUMN (WAFER): 1-16		
CONTACT USAGE	DAUGHTERCARD CONNECTOR PIN	BACKPLANE CONNECTOR PIN
SIGNAL	ax	bx
SIGNAL	bx	cx
SIGNAL	dx	ex
SIGNAL	fx	gx
SIGNAL	gx	hx
GROUND	cx, ex, (ALL COMMONED)	ax, dx, fx, ix

NOTE: "x" DESIGNATES THE COLUMN NUMBER



THIS PRINT IS  
**PRELIMINARY**  
UNQUALIFIED PRODUCT  
CONTACT PRODUCT ENGINEERING  
BEFORE USING THIS PRINT

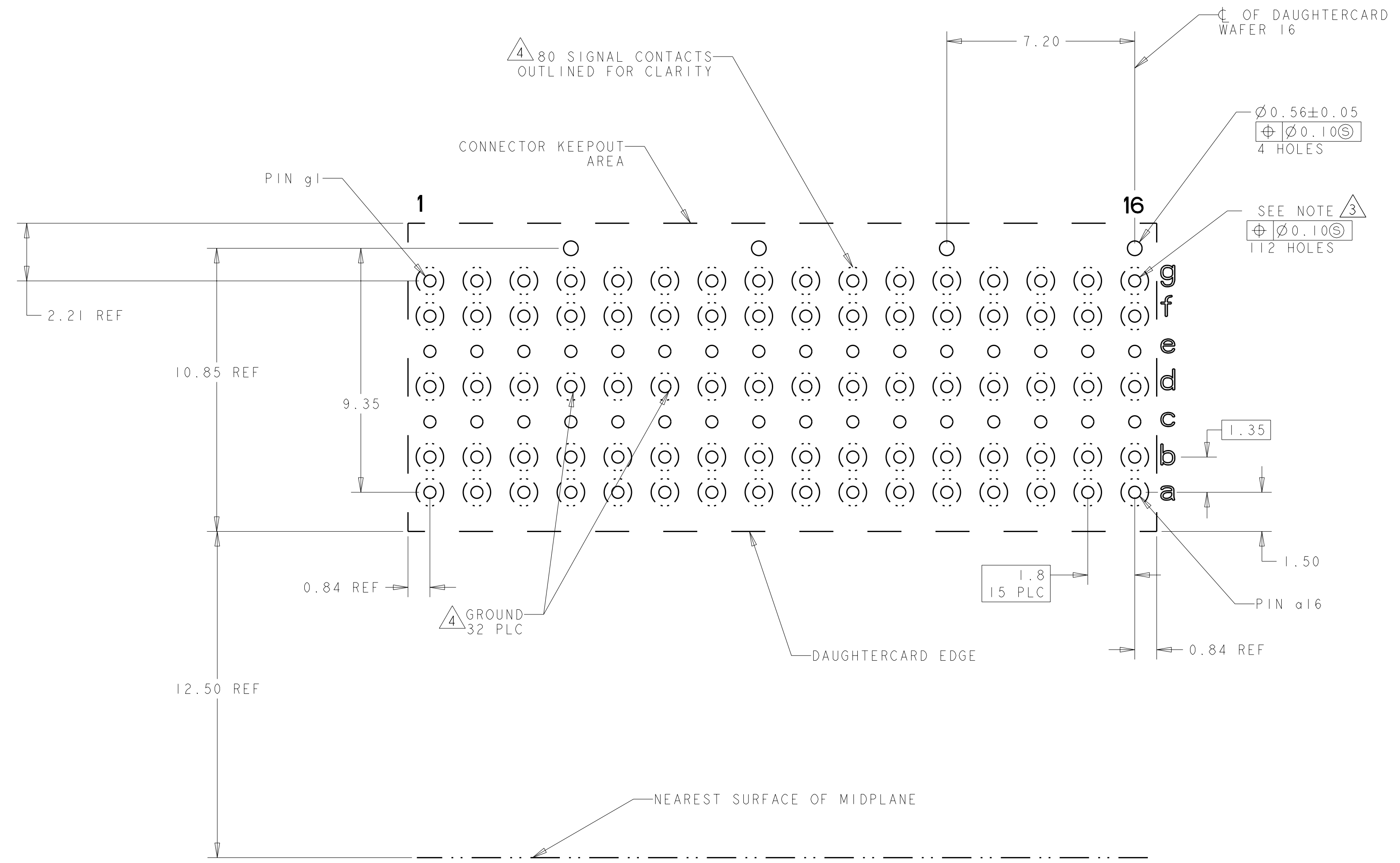
PC BOARD LAYOUT  
(CONNECTOR SIDE)  
SEE SHEET 2 FOR RTM  
SCALE 5:1

THIS PRODUCT HAS NOT COMPLETED VALIDATION TESTING

<p>2000878-1</p> <p>PLATING PART NO</p>	
<p>THIS DRAWING IS UNPUBLISHED. RELEASED FOR PUBLICATION. BY TYCO ELECTRONICS CORPORATION, ALL RIGHTS RESERVED.</p>	
<p>OWN: 05AUG2009</p> <p>CH: M. MCALEONIS</p> <p>APVD: M. MCALEONIS</p> <p>PRODUCT SPEC: 108-2072</p> <p>APPLICATION SPEC: 114-13056</p> <p>SIZE: 114-13056</p> <p>WEIGHT: -</p> <p>CUSTOMER DRAWING</p>	<p>TYCO Electronics</p> <p>Harrisburg, PA 17105-3608</p> <p><b>PRELIMINARY</b></p> <p>RIGHT ANGLE PLUG ASSEMBLY, 1 ROW CENTER, 20.3mm, SINGLE ENDED, MULTIGIG RT2 MGX, DAUGHTERCARD CONN, VITA 46</p> <p>SCALE 5:1 SHEET 1 OF 2 REV 1</p>

LOC	DIST	REVISIONS			
P	LTR	DESCRIPTION	DATE	DWN	APVD
-	-	SEE SHEET 1	-	-	-

### REAR TRANSITION MODULE APPLICATION



PC BOARD REAR TRANSITION MODULE  
SCALE 8:1

THIS PRODUCT HAS NOT COMPLETED VALIDATION TESTING

THIS PRINT IS  
**PRELIMINARY**  
UNQUALIFIED PRODUCT  
CONTACT PRODUCT ENGINEERING  
BEFORE USING THIS PRINT

<small>THIS DRAWING IS UNPUBLISHED. RELEASED FOR PUBLICATION. COPYRIGHT 20 BY TYCO ELECTRONICS CORPORATION. ALL RIGHTS RESERVED.</small>		DWN: 05AUG2009 Brent D. Toth CBY: M.R. MCALONIS APVD: M.R. MCALONIS	Tyco Electronics Harrisburg, PA 17105-3608
DIMENSIONS: mm 	TOLERANCES UNLESS OTHERWISE SPECIFIED: 9 PLC ± 1 PLC ±0.5 2 PLC ±0.13 3 PLC ± 4 PLC ± ANGLES ±1°	PRODUCT SPEC: 108-2072 APPLICATION SPEC: 114-13056 WEIGHT: - FINISH: SEE TABLE	NAME: RIGHT-ANGLE PLUG ASSEMBLY, 7 ROW, CENTER, 20.3mm, SINGLE ENDED, MULTIGIG RT2 MGX, DAUGHTERCARD CONN, VITA 46 SIZE: A CAGE CODE: 00779 DRAWING NO: C=2000878 RESTRICTED TO: - SCALE: 5:1 SHEET 2 OF 2 REV 1
MATERIAL: -		CUSTOMER DRAWING	

## X-ON Electronics

Largest Supplier of Electrical and Electronic Components

*Click to view similar products for [High Speed/Modular Connectors](#) category:*

*Click to view products by [TE Connectivity](#) manufacturer:*

Other Similar products are found below :

[2332816-1](#) [89006-1137LF](#) [650827-1](#) [65762-001LF](#) [73474-201LF](#) [74040-1346](#) [74075-0267](#) [88911-201LF](#) [9514M0C20D](#) [1410191-1](#)  
[1410337-1](#) [1410368-3](#) [1410964-2](#) [1410326-3](#) [1410367-3](#) [1410971-4](#) [1467833-1](#) [2000877-1](#) [2000878-1](#) [2041314-1](#) [2065387-1](#) [2187307-1](#)  
[2187462-1](#) [2226278-6](#) [KA81-07](#) [91290-101LF](#) [1934290-1](#) [2000875-1](#) [2065917-1](#) [2102736-2](#) [FSR-40](#) [2169868-2](#) [2226279-2](#) [22354-8](#) [437-](#)  
[5040-000](#) [5-1393565-0](#) [532449-3](#) [532803-2](#) [34745-0001](#) [0740618502](#) [0760151403](#) [0760551105](#) [0760551608](#) [0761451128](#) [0761651124](#)  
[0761655108](#) [0761659807](#) [0769853208](#) [0736440217](#) [0758324203](#)