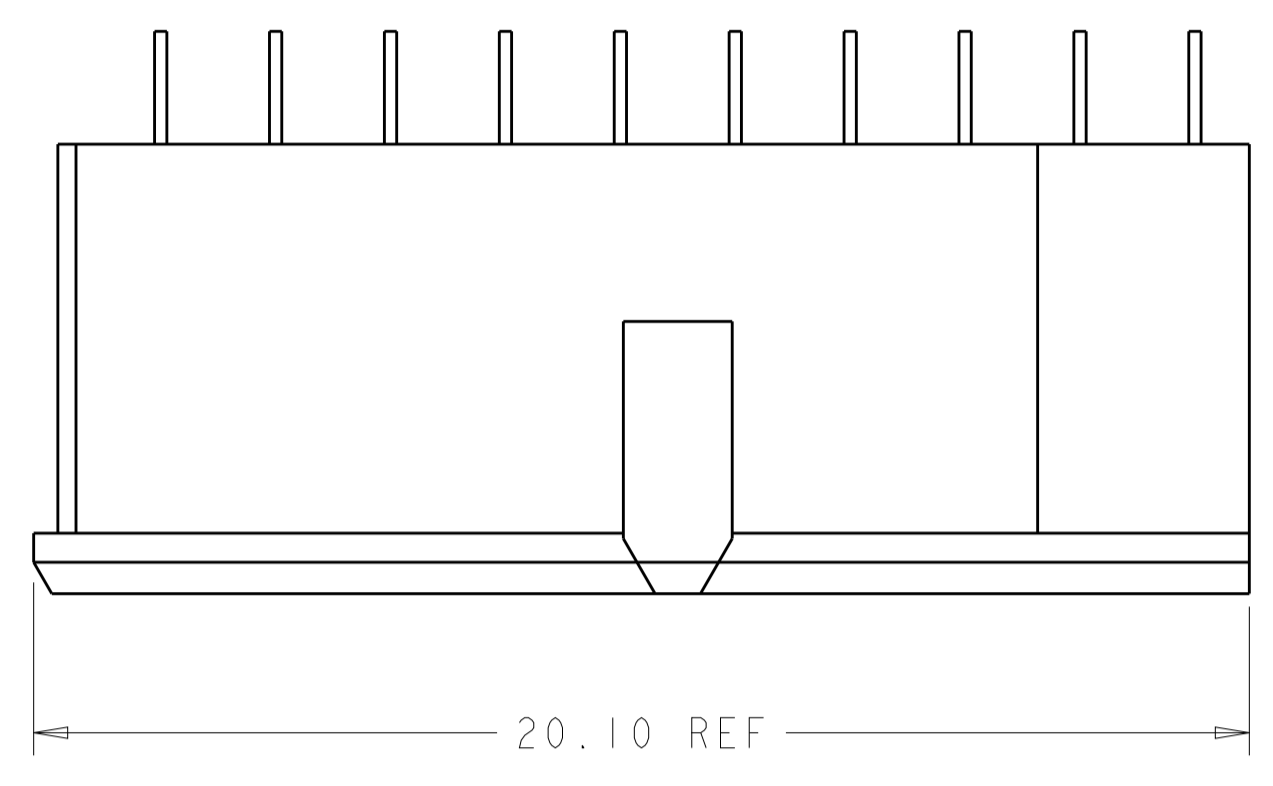
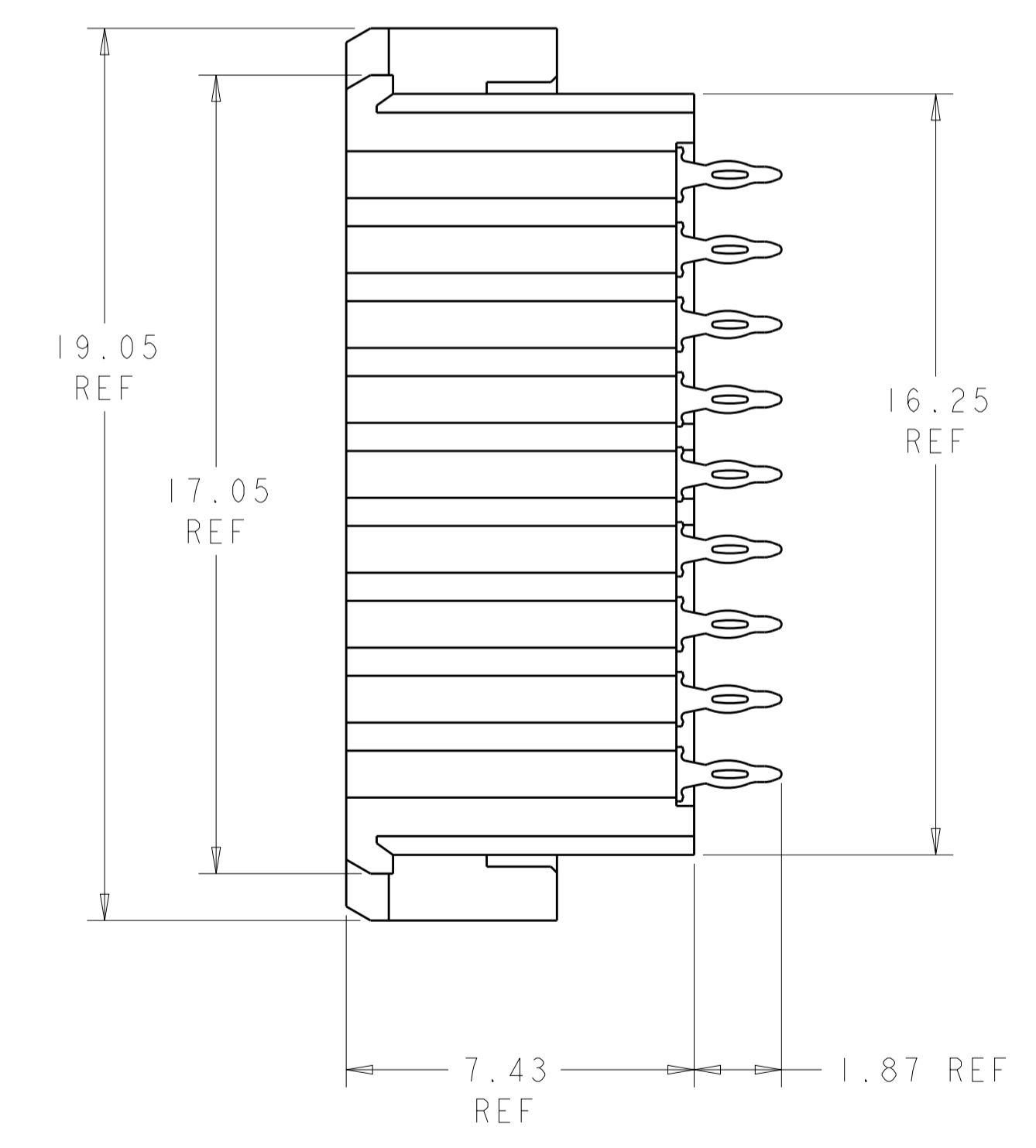
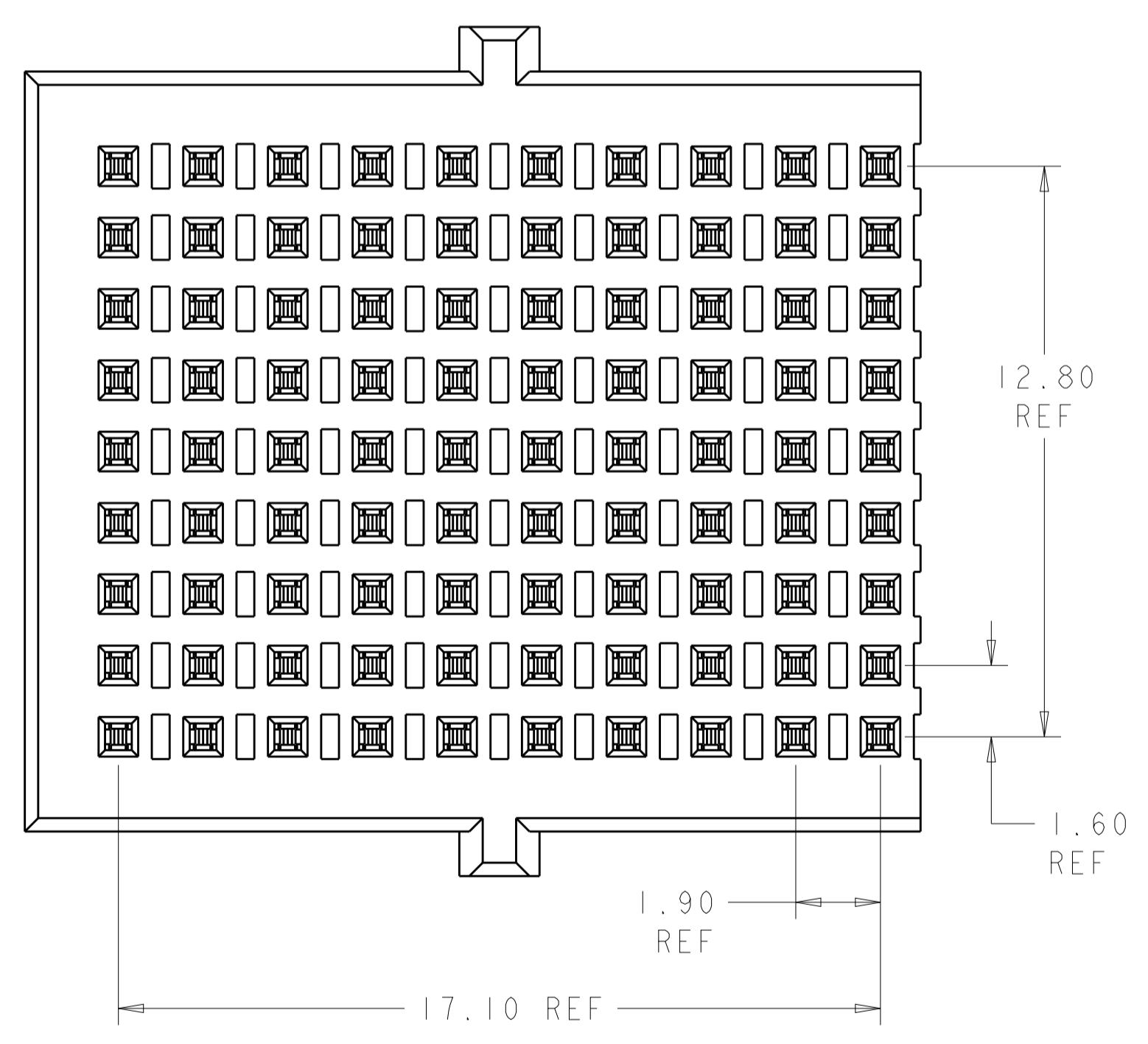


LOC		DIST		REVISIONS			
P	LTN	DESCRIPTION	DATE	DWN	APVD		
B		REV PER ECO 12-010940	7-31-12	CT	DH		
C		ECO-13-004755	26MAR2013	KG	DH		
D		ECO-14-017030	25NOV2014	MGM	CT		



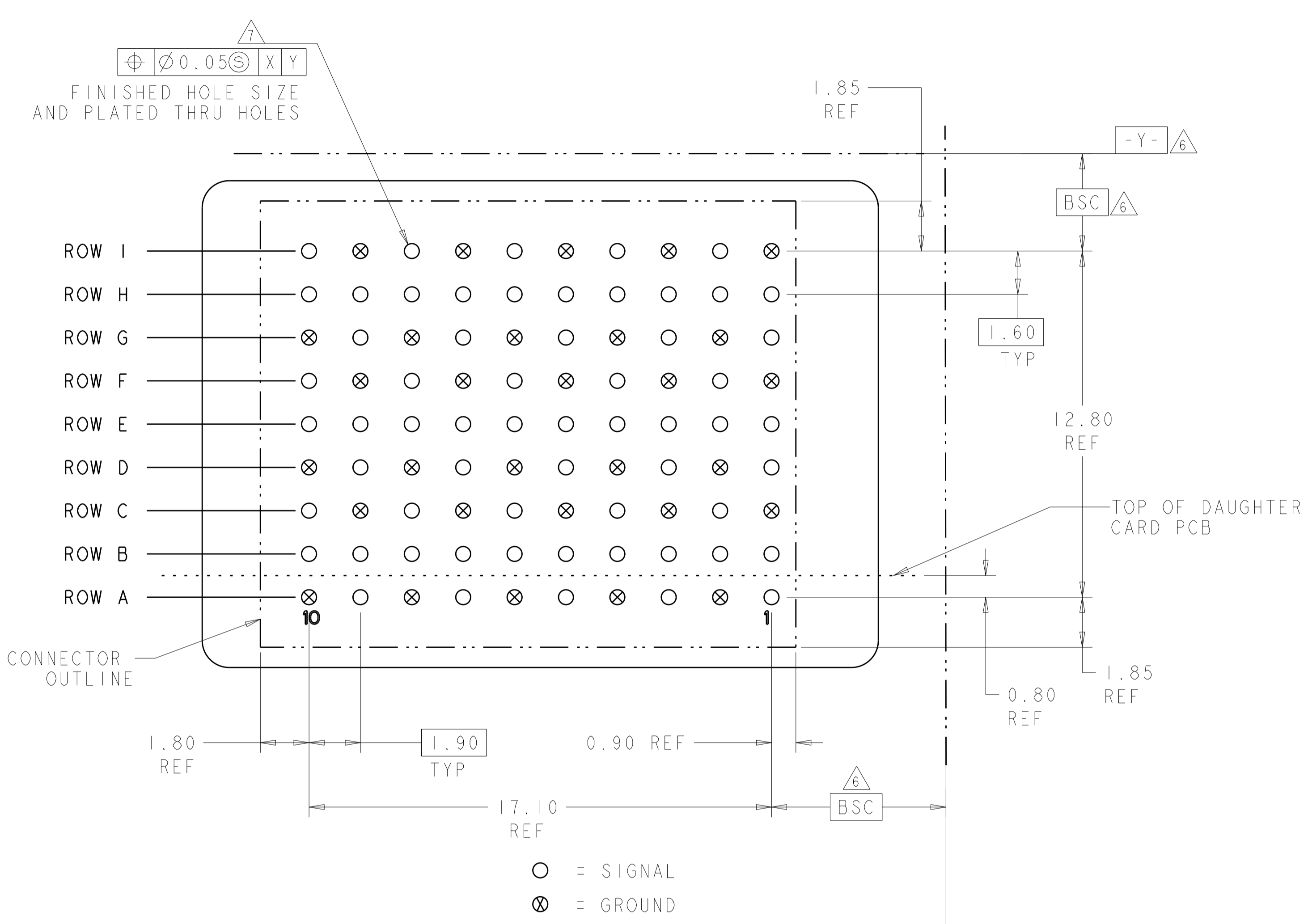
- 1 MATERIAL:
CONTACT - COPPER ALLOY
HOUSING - LCP, COLOR - BLACK
- 2 FINISH:
MATING AREA: 1.27µm MIN GOLD OVER
1.27µm MIN NICKEL
- 3 FINISH:
COMPLIANT PIN AREA: 0.38µm MIN BRIGHT TIN LEAD
OVER 1.27µm MIN NICKEL
- 4 FINISH:
COMPLIANT PIN AREA: 0.38µm MIN MATTE TIN
OVER 1.27µm MIN NICKEL
- 5 ---
- 6 DATUMS AND BASIC DIMENSIONS ESTABLISHED BY CUSTOMER.
- 7 REFERENCE APPLICATION SPEC 114-13267 FOR RECOMMENDED
PLATING THRU HOLE DIAMETER AND PLATING THICKNESS.



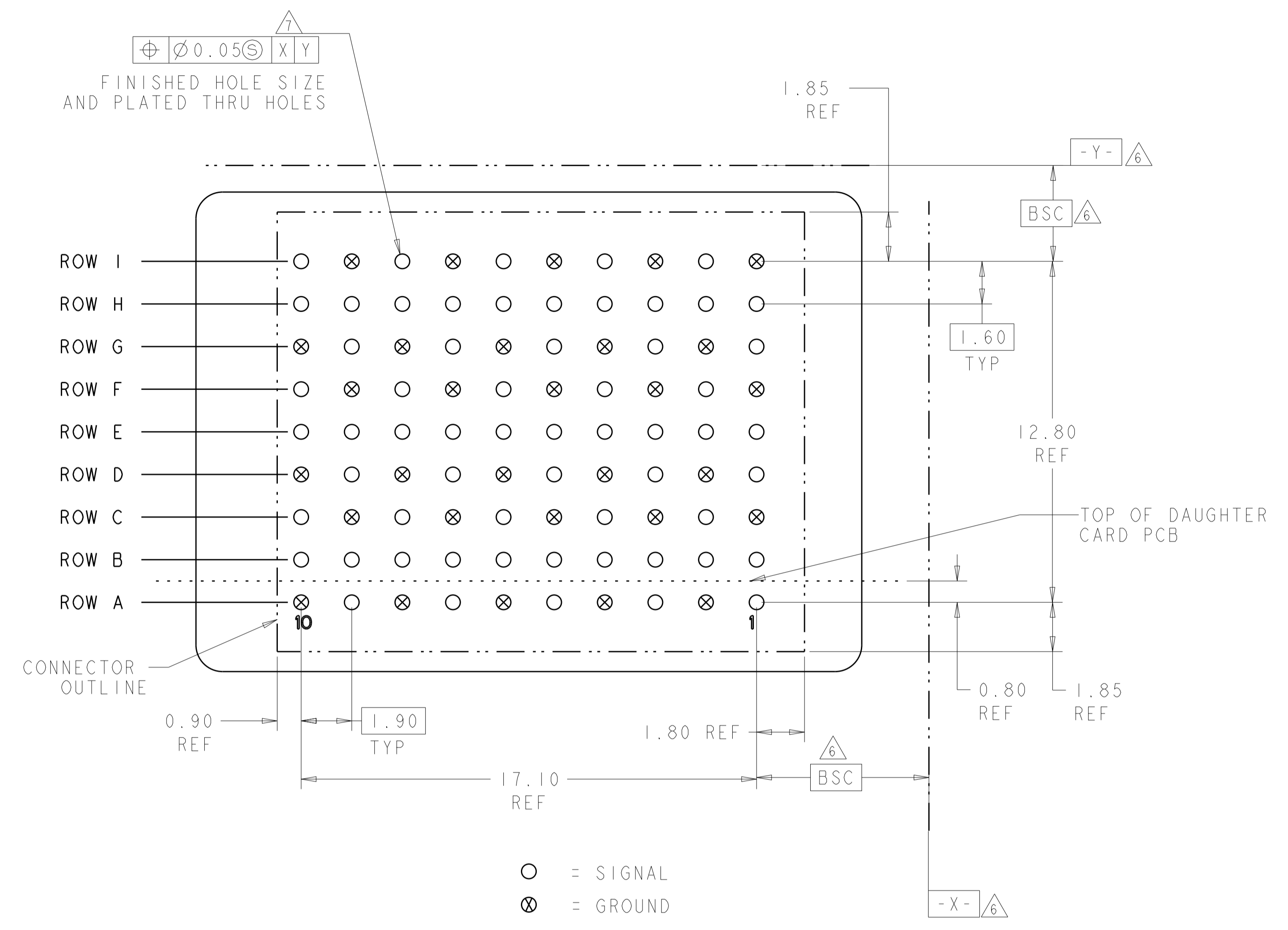
2 4	2000895-2
2 3	2000895-1
FINISH	PART NUMBER

THIS DRAWING IS A CONTROLLED DOCUMENT. DIMENSIONING AND TOLERANCING PER GPS (ISO STANDARDS).		DWN D. BELACK 24JUN2009	NAME TE TE Connectivity	
DIMENSIONS: mm		CHK A. TSANG 6-24-2009	PRODUCT SPEC Fortis Zd. 10-COLUMN, 3-PAIR, VERTICAL END MODULE ASSEMBLY	
TOLERANCES UNLESS OTHERWISE SPECIFIED:		APVD M. McALONIS 6-24-2009	APPLICATION SPEC	
0 PLC	±	SIZE CAGE CODE DRAWING NO RESTRICTED TO		
1 PLC	±0.13	114-13267		
2 PLC	±0.05	WEIGHT ~ 8weight1.2		
3 PLC	±	SCALE 8:1 SHEET 1 OF 2 REV D		
4 PLC	±	Customer Drawing		
ANGLES	±2°			
MATERIAL	1			

LOC	DIST	REV	DATE	BY	APPV
-	-	1	-	-	-
REVISIONS			DESCRIPTION	DATE	DWN
-			SEE SHEET 1	-	-



RECOMMENDED DIFFERENTIAL PAIR PC BOARD LAYOUT 1
COMPONENT SIDE SHOWN
SCALE 8:1



RECOMMENDED DIFFERENTIAL PAIR PC BOARD LAYOUT 2
COMPONENT SIDE SHOWN
SCALE 8:1

THIS DRAWING IS A CONTROLLED DOCUMENT. DIMENSIONING AND TOLERANCING PER QPS (ISO STANDARDS).		DWN: D. BELACK 24JUN2009	TE Connectivity
TOLERANCES UNLESS OTHERWISE SPECIFIED:		CHK: A. TSANG 6-24-2009	
DIMENSIONS:	mm	APVD: M. McALONIS 6-24-2009	NAME: Fortis Zd. 10-COLUMN, 3-PAIR, VERTICAL END MODULE ASSEMBLY
0 PLC	±0.13	PRODUCT SPEC	SIZE: CAGE CODE DRAWING NO
2 PLC	±0.05	APPLICATION SPEC	RESTRICTED TO
3 PLC	±0.05	114-13267	
4 PLC	±0.05	WEIGHT: 8weight1.2	
ANGLES	±2°	Customer Drawing	
MATERIAL		SCALE: 8:1	SHEET 2 OF 2
			REV D

X-ON Electronics

Largest Supplier of Electrical and Electronic Components

Click to view similar products for [High Speed/Modular Connectors](#) category:

Click to view products by [TE Connectivity](#) manufacturer:

Other Similar products are found below :

[650827-1](#) [74040-1346](#) [1410191-1](#) [1410368-3](#) [1410964-2](#) [1410326-3](#) [1410367-3](#) [1410971-4](#) [1467833-1](#) [2000877-1](#) [2000878-1](#) [2041314-1](#)
[2065387-1](#) [2187307-1](#) [163P](#) [1934290-1](#) [2000875-1](#) [2065917-1](#) [2102736-2](#) [FSR-40](#) [2169868-2](#) [22354-8](#) [437-5040-000](#) [5-1393565-0](#) [039-](#)
[0246-000](#) [0761601016](#) [0784461022](#) [10123159-12ELF](#) [030-2415-003/100 PK](#) [030-7380-004](#) [030-2494-001](#) [532939-1](#) [5532901-3](#) [3-1469268-](#)
[7](#) [74748-102LF](#) [10041743-101LF](#) [10066670-100002LF](#) [1-533915-1](#) [249-4515-000](#) [7-1469373-3](#) [DL2-2J/S](#) [2000713-8](#) [2000713-7](#)
[10124313-101LF](#) [3011-21](#) [757105208](#) [430305-001](#) [4395800100](#) [8140115](#) [1934937-1](#)