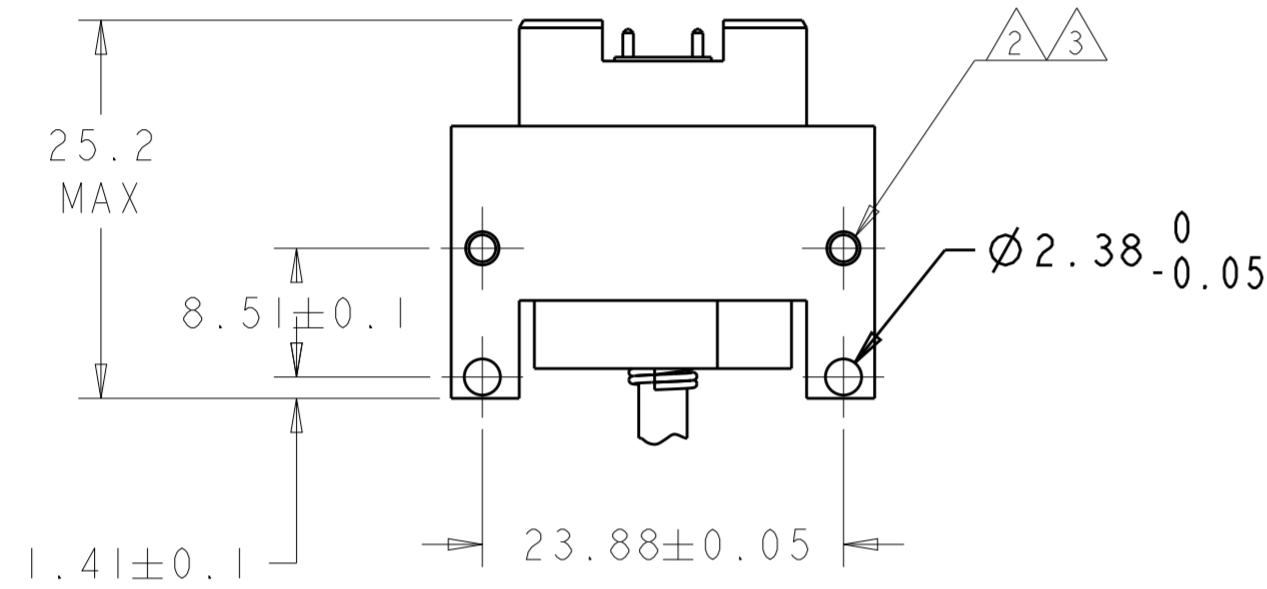
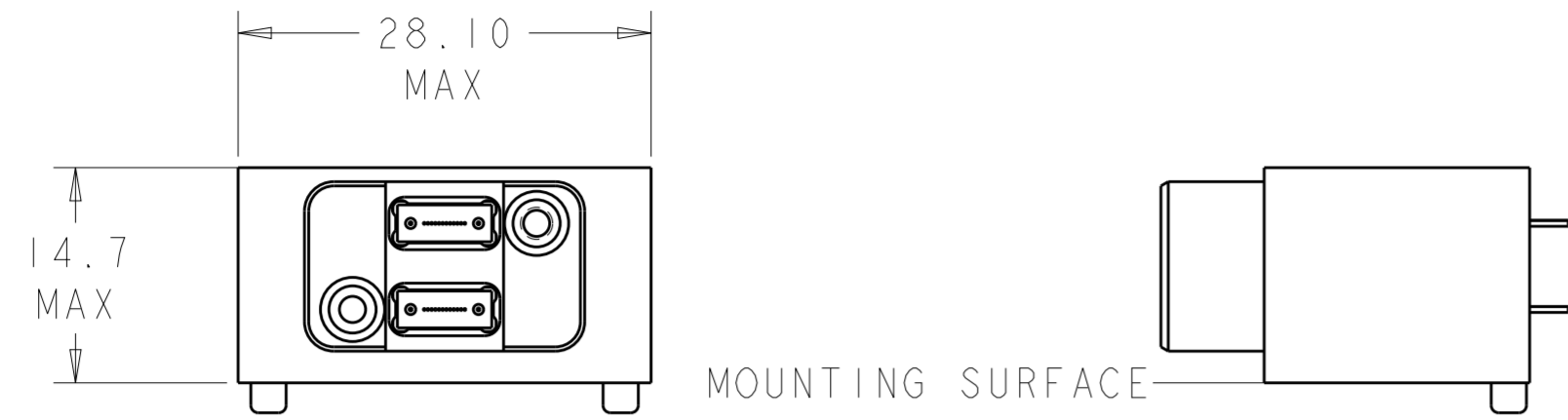


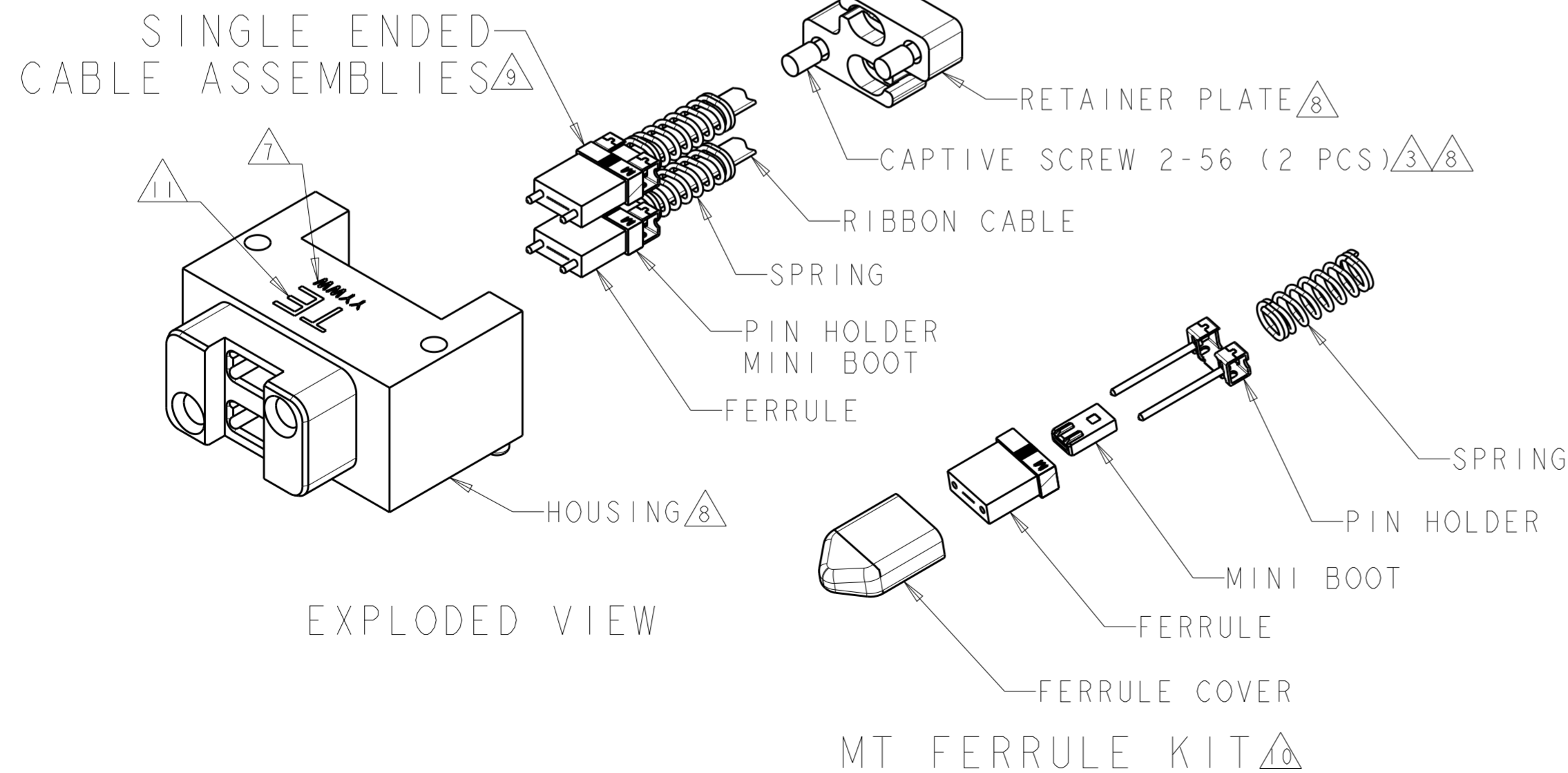
THIS DRAWING IS UNPUBLISHED. RELEASED FOR PUBLICATION 20
 © COPYRIGHT 20 BY - ALL RIGHTS RESERVED.

REVISIONS				
P	LTR	DESCRIPTION	DATE	APVD
A1		REVISE MT FERRULE ILLUSTRATION	20NOV2014	KG DW
A2		ECR-15-010353	16JUL2015	KG DW



ASSEMBLED VIEW
 WITH REFERENCE
 MT CABLE ASSEMBLIES INSTALLED

- 1 AREA REQUIRED FOR CONNECTOR PLACEMENT.
- 2 2-56 X 3/8" SCREWS WITH A PRE-APPLIED NYLOK PATCH ARE INCLUDED FOR PC-BOARD MOUNTING (NOT SHOWN). IF A PC-BOARD THICKER THAN 5.8mm IS USED LONGER SCREWS ARE REQUIRED.
- 3 RECOMMENDED TORQUE: 0.23-0.34 N-m [2-3 in-lb].
- 4 DATUM A REFERENCE PER ANSI/VITA 46.0-2007, APPENDIX C.
- 5 HOUSING & RETAINER PLATE:
ALUMINUM ALLOY 6061 PER ASTM B209, OR ASTM B221.
CAPTIVE SCREWS & BHCS: STAINLESS STEEL, 300 SERIES.
- 6 HOUSING & RETAINER PLATE:
CLEAR CHROMATE CONVERSION COATING.
CAPTIVE SCREWS & BHCS: PASSIVATED.
- 7 DATE CODE: YEAR & WEEK (YYWW).
- 8 THE MODULE CONNECTOR KIT, CONSISTING OF THE HOUSING, RETAINER PLATE WITH CAPTIVE SCREWS, AND 2-56 SCREWS, IS SHIPPED UNASSEMBLED.
- 9 SINGLE-ENDED FIBER-OPTIC (PIGTAIL) CABLE ASSEMBLIES ARE AVAILABLE SEPARATELY, 1938401-2.
- 10 UNASSEMBLED FIBER-OPTIC COMPONENTS KITS ARE AVAILABLE SEPARATELY, 2102866-2.
- 11 TE CONNECTIVITY PRODUCT IDENTIFIER.

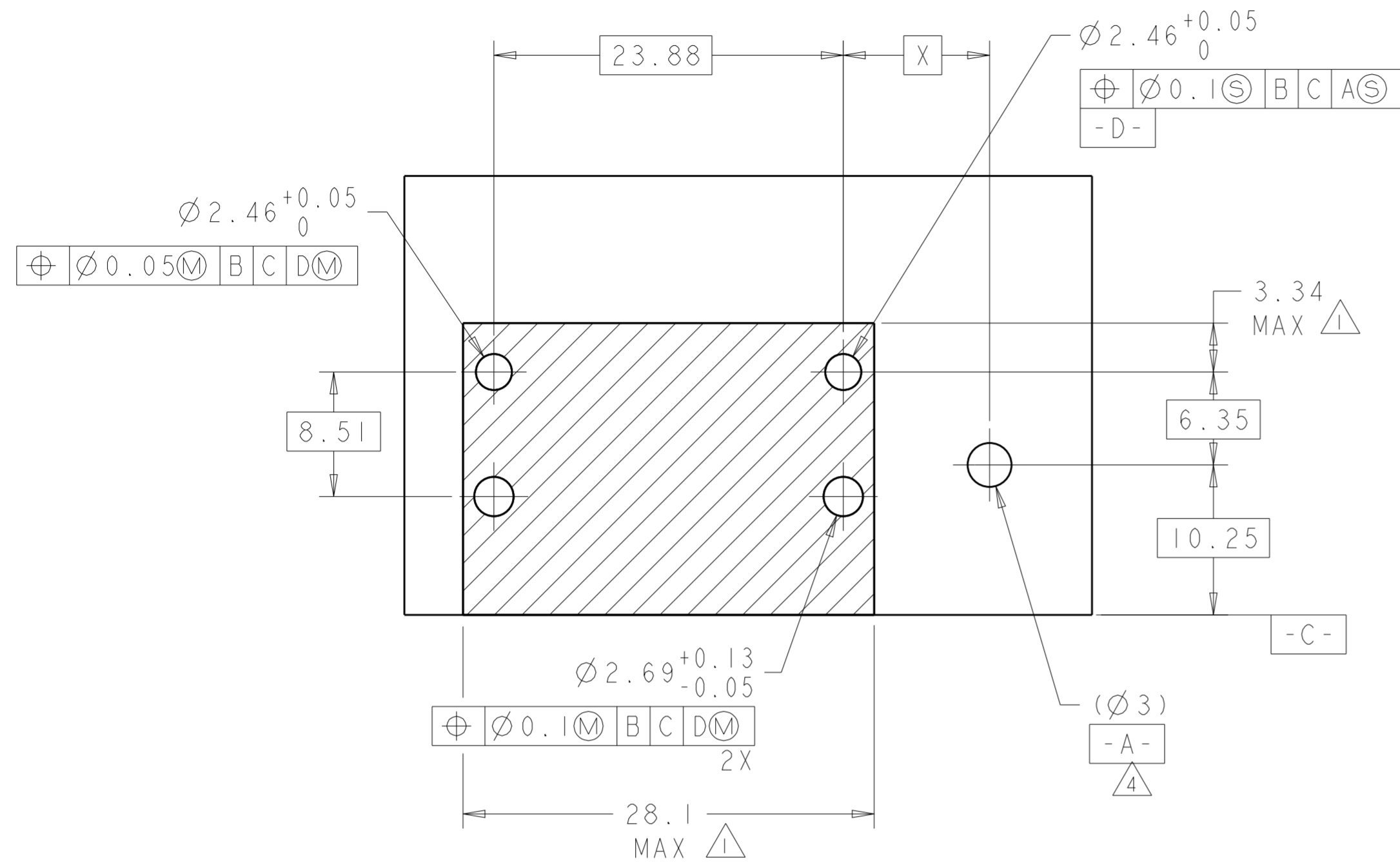


PLUG (MODULE) KIT	A	2000974-1
COMMENT	PART REVISION	PART NUMBER

THIS DRAWING IS A CONTROLLED DOCUMENT. DIMENSIONING AND TOLERANCING PER ASME Y14.5M-2009		DWN R FLAIG 02JUN2009	STE TE Connectivity	
DIMENSIONS: mm		CHK J MOSIER 02JUN2009		
TOLERANCES UNLESS OTHERWISE SPECIFIED:		APVD J MOSIER 02JUN2009	NAME CONNECTOR KIT, PLUG, (MODULE) FIBER OPTIC, MT, VITA 66.1-STYLE	
0 PLC ±	1 PLC ±	PRODUCT SPEC 108-2467	SIZE CAGE CODE DRAWING NO RESTRICTED TO	
2 PLC ±	3 PLC ±	APPLICATION SPEC 114-32050	A200779 C-2000974	
4 PLC ±	ANGLES ±	WEIGHT -	SCALE 3:1 SHEET 1 OF 2 REV A2	
MATERIAL 5	FINISH 6	Customer Drawing		

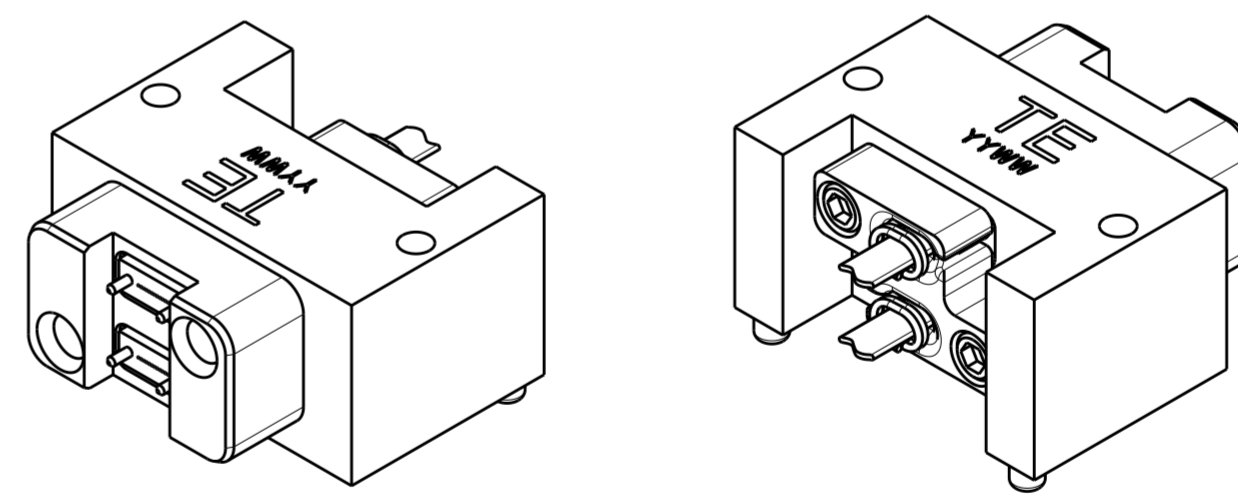
THIS DRAWING IS UNPUBLISHED. RELEASED FOR PUBLICATION 20
 © COPYRIGHT 20 BY - ALL RIGHTS RESERVED.

REVISIONS				
P	LTR	DESCRIPTION	DATE	APVD
-	-	SEE SHEET 1	-	-



RECOMMENDED PLUG-IN MODULE FOOTPRINT

CONNECTOR LOCATION ON MODULE PCB	
POSITION	DIM "X"
P2	53.73
P3	96.55
P4	125.35
P5	154.15
P6	182.95



ASSEMBLED VIEW, WITH REFERENCE MT CABLE ASSEMBLIES INSTALLED

THIS DRAWING IS A CONTROLLED DOCUMENT. DIMENSIONING AND TOLERANCING PER ASME Y14.5M-2009		DWN R FLAIG 02JUN2009	TE Connectivity
DIMENSIONS: mm		CHK J MOSLER 02JUN2009	
TOLERANCES UNLESS OTHERWISE SPECIFIED:		APVD J MOSLER 02JUN2009	NAME
0 PLC ±	1 PLC ±	PRODUCT SPEC	CONNECTOR KIT, PLUG, (MODULE)
2 PLC ±	3 PLC ±	108-2467	FIBER OPTIC, MT, VITA 66.1-STYLE
4 PLC ±	ANGLES ±	114-32050	RESTRICTED TO
MATERIAL	FINISH	WEIGHT	SIZE CAGE CODE DRAWING NO
-	-	-	A200779 C-2000974
Customer Drawing		SCALE 2:1	SHEET 2 OF 2 REV A2

X-ON Electronics

Largest Supplier of Electrical and Electronic Components

Click to view similar products for [Fibre Optic Connectors](#) category:

Click to view products by [TE Connectivity](#) manufacturer:

Other Similar products are found below :

[0004700001](#) [6100-R](#) [6313](#) [F709034706](#) [F709722200](#) [F709730000](#) [F718183204](#) [F727403500](#) [F727752800](#) [8119](#) [9440F20-27S-190](#) [944-120-6001](#) [9441F10SL-3S](#) [9444W28-21S](#) [9444W36-10S](#) [9446F10SL-4S](#) [9446W20-16S](#) [953-101-5310-P](#) [954-101-57202B](#) [A0270169](#) [12-9122](#) [12-5702](#) [AX101713](#) [AX102420](#) [AX103923](#) [AX104024](#) [AX104193](#) [AX104230](#) [AX104562](#) [AX105203-B25](#) [AX105205-S1](#) [EHSC2M](#) [181-011-126](#) [181-011-S](#) [181-057-126](#) [HRFC-R2\(40\)](#) [NKSOPBUY](#) [20500002116](#) [2064996-1](#) [20800001065](#) [2170](#) [9132](#) [2612](#) [2620](#) [9291](#) [9440F16-10S](#) [9440F20-18S](#) [9446F16-10S-190](#) [953-106-50231](#) [953-120-5003](#)