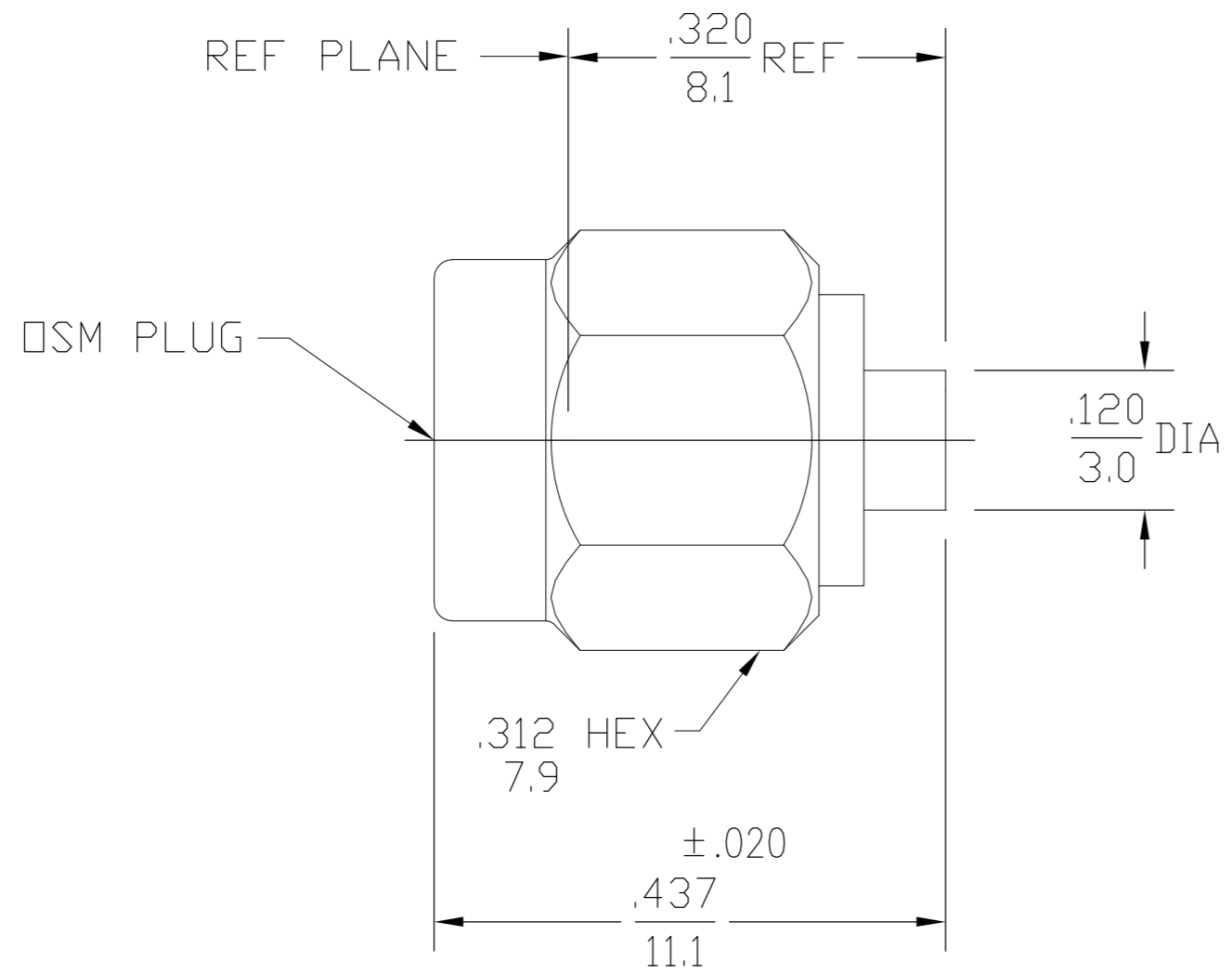


THIS DRAWING IS UNPUBLISHED. RELEASED FOR PUBLICATION
 © COPYRIGHT BY TYCO ELECTRONICS CORPORATION. ALL RIGHTS RESERVED.

DESIGNED FOR USE WITH
 .085 DIA S.R. CABLE
 CABLE ENTRY DIAMETER
 MINIMUM

| | |
|---------|------|
| CONTACT | .021 |
| HOUSING | .089 |

| LOC | DIST | REVISIONS | | | |
|-----|------|-----------------------|-----------|-----|------|
| P | LTR | DESCRIPTION | DATE | DWN | APVD |
| | B | REV PER ECO 07-004710 | 3/12/2007 | DW | KW |



1050769-1
 PART NUMBER

| ELECTRICAL | MECHANICAL | ENVIRONMENTAL |
|---|---|--|
| Nominal Impedance (Ohms) 50 | Interface Dimensions MIL-STD-348, Fig. 310.1 | TEMPERATURE RATING -65°C TO 105°C |
| Frequency Range (GHz) DC to 18.0 | Recommended Mating Torque 7 to 10 in-LBs | Vibration MIL-STD-202, Method 204, Condition D |
| Volt Rating (VRMS MAX) @ Sea Level 335 | Mating Characteristics: Insertion (MAX Lbs) N/A | Shock MIL-STD-202, Method 213, Condition I |
| VSWR 1.05 + .005f(GHz) | Withdrawal (MIN Oz) N/A | Thermal Shock MIL-STD-202, Method 107, Condition B, EXCEPT HIGH TEMP 115°C |
| Insertion Loss (dB MAX) .03 √f(GHz) | Force to Engage and Disengage (In/Lbs MAX) 2.0 | Moisture Resistance MIL-STD-202, Method 106 |
| RF Leakage (dB MIN) -(90-f(GHz)) | Center Contact Captivation Axial (Lbs) N/A | Corrosion - MIL-STD-202, Method 101, Condition B, 5% salt spray |
| Corona, 70,000 Ft (VRMS MIN) 250 | Radial (In/Oz) N/A | |
| Dielectric Withstanding Voltage (VRMS MIN) @ Sea Level 1000 | Cable Retention Axial Force (Lbs) 30 | |
| Contact Resistance (Milliohms MAX) Center Contact 2.0 | Torque (In/Oz) 16 | |
| Outer Contact 2.0 | Weight (Grams) T.B.D. | |
| Cable to Housing 0.5 | | |
| RF High Potential @ Sea Level (VRMS MIN @ 5 MHz) 670 | | |
| I.R.(Megohms MIN) 10,000 | | |

.XXX = in
 XX.X = mm

| COMPONENT | MATERIAL | FINISH |
|----------------------|---|----------------------------|
| HOUSING COUPLING NUT | STAINLESS STEEL PER ASTM-A484 AND ASTM-A582, TYPE 303 | GOLD PLATE PER MIL-G-45204 |
| DIELECTRIC | TFE FLUOROCARBON PER ASTM-D-1457 | N/A |
| CENTER CONTACT | BERYLLIUM COPPER PER ASTM B 196, ALLOY C17300, CONDITION H OR BRASS PER ASTM-B-16 | GOLD PLATE PER MIL-G-45204 |
| RETAINING RING | BERYLLIUM COPPER PER ASTM B 194, ALLOY C17200, CONDITION H | N/A |
| GASKET | SILICONE RUBBER PER ZZ-R-765 | N/A |

THIS DRAWING IS A CONTROLLED DOCUMENT.

| | |
|------------------|---|
| DWN DRJ 11/1/76 | Tyco Electronics Corporation Harrisburg, PA 17105-3608 |
| CHK - | |
| APVD RME | |
| PRODUCT SPEC | |
| APPLICATION SPEC | NAME OSM STRAIGHT CABLE PLUG DIRECT SOLDER ATTACHMENT |
| WEIGHT - | SIZE A2 CAGE CODE 00779 DRAWING NO C-1050769 |
| CUSTOMER DRAWING | RESTRICTED TO - |

SCALE 5:1 SHEET 1 of 1 REV B

X-ON Electronics

Largest Supplier of Electrical and Electronic Components

Click to view similar products for [RF Connectors / Coaxial Connectors](#) category:

Click to view products by [TE Connectivity](#) manufacturer:

Other Similar products are found below :

[8915-1511-000](#) [89674-0827](#) [6001-7071-019](#) [6002-7051-003](#) [6002-7551-202](#) [6059674-1](#) [619550-1](#) [630059-000](#) [M39030/3-01N](#) [6500-7071-046](#) [6769](#) [CX050L2AQ](#) [7002-1541-010](#) [7002-1542-011](#) [7004-1512-000](#) [7009-1511-004](#) [7010-1511-000](#) [7029-1511-060](#) [7101-1541-010](#) [7101-1571-002](#) [7105-1521-002](#) [7145-1521-002](#) [7203-1571-003](#) [7209-1511-011](#) [7210-1511-015](#) [7210-1511-019](#) [73137-5015](#) [73216-2241](#) [73404-2300](#) [7405-1521-005](#) [7405-1521-802](#) [8527](#) [8547](#) [FS11V](#) [877931](#) [9049-9513-000](#) [9074-9513-000](#) [9101-9573-002](#) [910A205F](#) [9130-9573-002](#) [PL11SC-026](#) [PL375-33](#) [PL40-5](#) [PL74C-221](#) [PL75MC-217](#) [PL803-7](#) [1200690078](#) [1-201144-1](#) [R107003010W](#) [R110A172100](#)