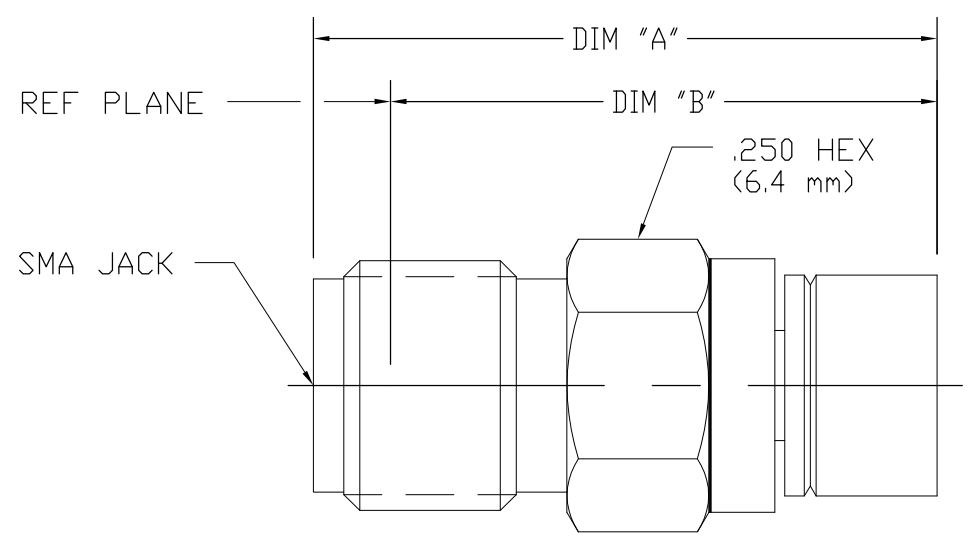


THIS DRAWING IS UNPUBLISHED. RELEASED FOR PUBLICATION  
 © COPYRIGHT - By - ALL RIGHTS RESERVED.

LOC	DIST	REVISIONS					
		P	LTR	DESCRIPTION	DATE	DWN	APVD
			A	REV PER ECO-12-020950	11DEC12	PY	DW
DESIGNED FOR USE WITH .141 S.R.(RG 402/U)							
CABLE ENTRY DIAMETER MINIMUM							
HOUSING	.143						
CONTACT	.037						



- NOTES:
1. PICTORIAL VIEW IS AFTER CRIMPING
  2. MIN STRAIGHT CABLE LENGTH: .292
  3. IT IS SUGGESTED TO BEND CABLE PRIOR TO CRIMPING
  4. CRIMP BUSHING MAY BE PACKAGED UNASSEMBLED. ORIENT GROOVE AS SHOWN.

BEFORE CRIMPING	.721 REF (18.3 mm)	.645 REF (16.4 mm)
AFTER CRIMPING	.620 MAX (15.7 mm)	.535 REF (13.6 mm)
	DIM "A"	DIM "B"

ELECTRICAL	MECHANICAL	ENVIRONMENTAL
Nominal Impedance (Ohms) <u>50</u>	Interface Dimensions <u>MIL-STD-348 Fig 310.2</u>	TEMPERATURE RATING <u>-65° TO +165°C</u>
Frequency Range (GHz) <u>DC to 18</u>	Recommended Mating Torque <u>7-10 In-lbs</u>	Vibration MIL-STD-202, Method 204, Condition D
Volt Rating (VRMS MAX) @ Sea Level <u>500</u>	Center Contact Captivation Axial (Lbs) <u>6</u>	Shock MIL-STD-202, Method 213, Condition I
VSWR <u>1.05+0.01f(GHz)</u>	Radial (In/Dz) <u>NONE</u>	Thermal Shock MIL-STD-202, Method 102, Condition C
Insertion Loss (dB MAX) <u>.03x √ f(GHz)</u>	Cable Retention Axial Force (Lbs) <u>60</u>	EXCEPT HIGH TEMP +115°C
RF Leakage (dB MIN) <u>-90 @ 2-3 GHz</u>	Torque (In/Dz) <u>55</u>	Moisture Resistance MIL-STD-202, Method 106
Corona, 70,000 Ft (VRMS MIN) <u>375</u>	Weight (Grams) <u>2.1</u>	Corrosion - MIL-STD-202, Method 101, Condition B
Dielectric Withstanding Voltage (VRMS MIN) @ Sea Level <u>1500</u>	Mating Characteristics Insertion (Max Lbs) <u>3</u>	
Contact Resistance (Milliohms MAX) Center Contact <u>3.0</u>	Withdrawal (Min Oz) <u>1</u>	
Outer Contact <u>2.0</u>	Connector Engagement and Disengagement (In/Lbs Max) <u>2</u>	
Cable to Housing <u>0.5</u>		
RF High Potential @ Sea Level (VRMS MIN @ 5 MHz) <u>1000</u>		
I.R.(Megohms MIN) <u>5000</u>		

COMPONENT	MATERIAL	FINISH
HOUSING BUSHING	STAINLESS STEEL PER ASTM-A484 AND ASTM-A582, TYPE 303	PASSIVATE PER ASTM-A380
DIELECTRIC	TFE FLUOROCARBON PER ASTM-D-1457,	N/A
CENTER CONTACT	BERYLLIUM COPPER PER ASTM B196, ALLOY C17300, CONDITION H	GOLD PLATE PER MIL-G-45204 OVER COPPER PLATE PER MIL-C-14550

THIS DRAWING IS A CONTROLLED DOCUMENT.

DIMENSIONS: INCHES	TOLERANCES UNLESS OTHERWISE SPECIFIED:	DWN P. YEAGER 10DEC2012	<b>STE</b> TE Connectivity
	0 PLC ± -	CHK D. WILSON 11DEC12	
	1 PLC ± -	APVD D. WILSON 11DEC12	
	2 PLC ± -	NAME	
	3 PLC ± .005	SMA STRAIGHT CABLE JACK	
	4 PLC ± -	COMPRESSION CRIMP ATTACHMENT	
	ANGLES ± ±1d	M39012/81-3208 CAT-F	
MATERIAL SEE TABLE	FINISH SEE TABLE	SIZE A3	CAGE CODE 00779
		DRAWING NO C-1050935	RESTRICTED TO
		CUSTOMER DRAWING	SCALE 4:1
			SHEET 1 OF 1
			REV A

## X-ON Electronics

Largest Supplier of Electrical and Electronic Components

*Click to view similar products for [RF Connectors / Coaxial Connectors](#) category:*

*Click to view products by [TE Connectivity](#) manufacturer:*

Other Similar products are found below :

[8915-1511-000](#) [89674-0827](#) [6001-7071-019](#) [6002-7051-003](#) [6002-7551-202](#) [6059674-1](#) [619550-1](#) [630059-000](#) [M39030/3-01N](#) [6500-7071-046](#) [6769](#) [CX050L2AQ](#) [7002-1541-010](#) [7002-1542-011](#) [7004-1512-000](#) [7009-1511-004](#) [7010-1511-000](#) [7029-1511-060](#) [7101-1541-010](#) [7101-1571-002](#) [7105-1521-002](#) [7145-1521-002](#) [7203-1571-003](#) [7209-1511-011](#) [7210-1511-015](#) [7210-1511-019](#) [73137-5015](#) [73216-2241](#) [73404-2300](#) [7405-1521-005](#) [7405-1521-802](#) [8527](#) [8547](#) [FS11V](#) [877931](#) [9049-9513-000](#) [9074-9513-000](#) [9101-9573-002](#) [910A205F](#) [9130-9573-002](#) [PL11SC-026](#) [PL375-33](#) [PL40-5](#) [PL74C-221](#) [PL75MC-217](#) [PL803-7](#) [1200690078](#) [1-201144-1](#) [R107003010W](#) [R110A172100](#)