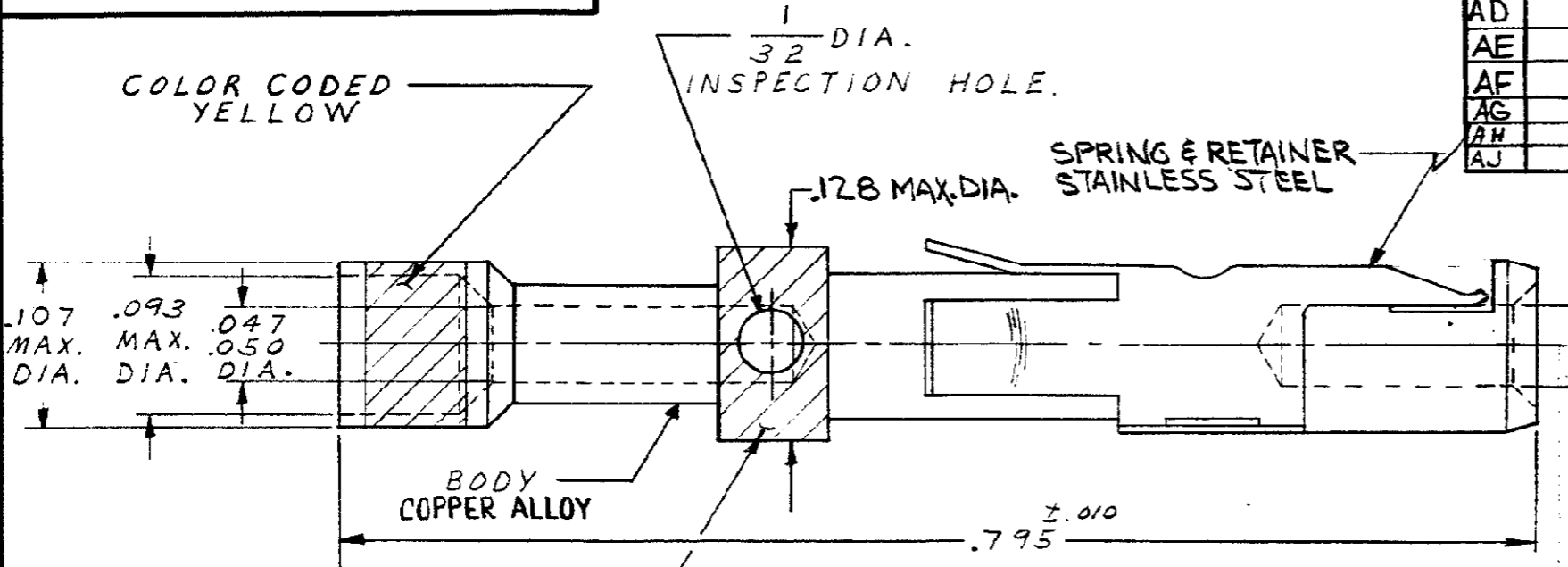


© 1959 BY AMP INCORPORATED. ALL RIGHTS RESERVED. AMP PRODUCTS COVERED BY PATENTS AND/OR PATENTS PENDING.

NUMBER 200331

| REVISIONS | | | | |
|-----------|------|--------------------------------|----------|----------|
| SYM | ZONE | DESCRIPTION | DATE | APPROVAL |
| AC | | OBSOLETE -3 & -7 ECN D-260 | 9/12/74 | DS |
| AD | | REVISED ECN S4142 | 9-17-87 | THW |
| AE | | OBSOLETE -8 PER ECN S4350 | 12-15-87 | THW |
| AF | | OBSOLETE 1-0 PER ECN S4623 | 5-17-88 | THW |
| AG | | OBS-2 & -9 PER ECN S4359 | 2/7/89 | THW |
| AH | | REV PER ECN BD 2619 | 3-20-89 | THW |
| AJ | | OBS-4, -5 & -6 PER ECN BD 3038 | 10-11-89 | J.T. |



WHEN ORDERING CONTACT ON TAPE, ORDER BY THE TAPE NUMBER PLUS THE PACKAGING CODE AS FOLLOWS:
 1. FOR USE WITH AMP TAPETRONIC, PNEUMATIC TOOL -
 A. 1000 PARTS TO A BOX ADD PACKAGING CODE: 1MBOX
 2. FOR USE WITH 4/8 INDENT STRIPPER CRIMPER -
 A. 1000 PARTS TO A REEL ADD PACKAGING CODE: 1MREEL
 B. 5000 PARTS TO A REEL ADD PACKAGING CODE: 5MREEL

COLOR CODED RED

| | | | | |
|----------|---------------------|---|------------------|----------|
| OBSOLETE | 200331-9 | .00005 MIN GOLD OVER .00003 MIN NICKEL | 1-200331-0 | OBSOLETE |
| OBSOLETE | 200331-7 | .00005 MIN RHOBIUM OVER .00005 MIN POROUS NICKEL | | |
| OBSOLETE | 200331-6 | .0001 MIN GOLD OVER .00005 MIN NICKEL | | |
| OBSOLETE | 200331-5 | .000015 MIN GOLD OVER .00005 MIN NICKEL | | |
| OBSOLETE | 200331-4 | .0001 MIN GOLD OVER .0001 MIN SILVER | | |
| OBSOLETE | 200331-3 | .00004 GOLD OVER .00003 NICKEL | | |
| OBSOLETE | 200331-2 | .0001 MIN SILVER OVER .00003 MIN NICKEL | | |
| | 200331-1 | .00003 MIN GOLD OVER .00005 MIN NICKEL | 200331-8 | OBSOLETE |
| | PART NO. | FINISH | TAPE MTD ASSY NO | |

NOTE:
 1. PLATING THICKNESS TO BE MEASURED ON SURFACES ACCESSIBLE WITH 1/4 INCH DIAMETER SPHERE.
 2. WIRE SIZE: 20 TO 24

| QTY REQD | PART OR IDENTIFYING NO. | NOMENCLATURE OR DESCRIPTION | LIST OF MATERIALS OR PARTS LIST | |
|---|-------------------------|-----------------------------|---------------------------------|-----------------------------|
| UNLESS OTHERWISE SPECIFIED DIMENSIONS ARE IN INCHES TOLERANCES ON | | | SIGNATURE | DATE |
| FRACTIONS ± 1/64 | DECIMALS ± .015 | ANGLES ± 1° | | |
| MATERIAL | | | DR | |
| SEE CALL OUT | | | CHK | |
| HEAT TREAT | | | DSGN ENGR | |
| FINISH | | | APPR | |
| AMP INFO | | | DSGN APPD | |
| M 10 | LOC B039A | | OTHER APPD | |
| | | | CODE IDENT NO | SIZE NUMBER |
| | | | 00779 | B 200331 |
| | | | SCALE 10-1 | WT CALC ACTUAL SHEET 1 OF 1 |

AMP TRADEMARK
 AMP INCORPORATED
 HARRISBURG, PENNSYLVANIA

20 CONTACT SOCKET
 TYPE II

X-ON Electronics

Largest Supplier of Electrical and Electronic Components

Click to view similar products for [I/O Connectors](#) category:

Click to view products by [TE Connectivity](#) manufacturer:

Other Similar products are found below :

[571763P](#) [58098-0628](#) [61-168618-12P](#) [D38999/20FJ29SB L/C](#) [72.250.1628.2](#) [72.250.2428.2](#) [74720-0505](#) [747680210](#) [76.350.0729.0](#) [76871-1403](#) [FCN-244F080-G/1](#) [FCN-260A9920](#) [FCN-268D024-G/2F#10X-R10](#) [MP-5T180MUNNA-005](#) [MP-5XRJ45UNNB-003](#) [PCS-E50FA](#) [PCS-XE26LKA](#) [PCS-XE26MA+](#) [PCS-XES68MS+](#) [G38A71314B](#) [91-569719-35R](#) [9776-18-6](#) [DX40-50P\(55\)](#) [1571250010](#) [157-22500-3](#) [MS3471L14-19P L/C](#) [171224-6031](#) [1888020-8](#) [91-569786-35H](#) [91-569786-35M](#) [91-644626-35P](#) [172501-4002](#) [172501-6002](#) [FCN-260C008-A/L0](#) [FCN-260C024-AL0](#) [FCN-261Z008](#) [FCN-268D008-G/1K](#) [2000314-1](#) [200331-1](#) [2007498-2](#) [PCR-E28LMDAG1+](#) [PCR-E36FC+](#) [PCS-E28FS+](#) [PCS-XE26SLFD+](#) [PCS-XE26SLFDT+](#) [G38A71214B](#) [HDRA-E68W1LFDTC-SL+](#) [HDR-E14MSG1+](#) [R88A-CNK81S](#) [CRT1-ATT02](#)