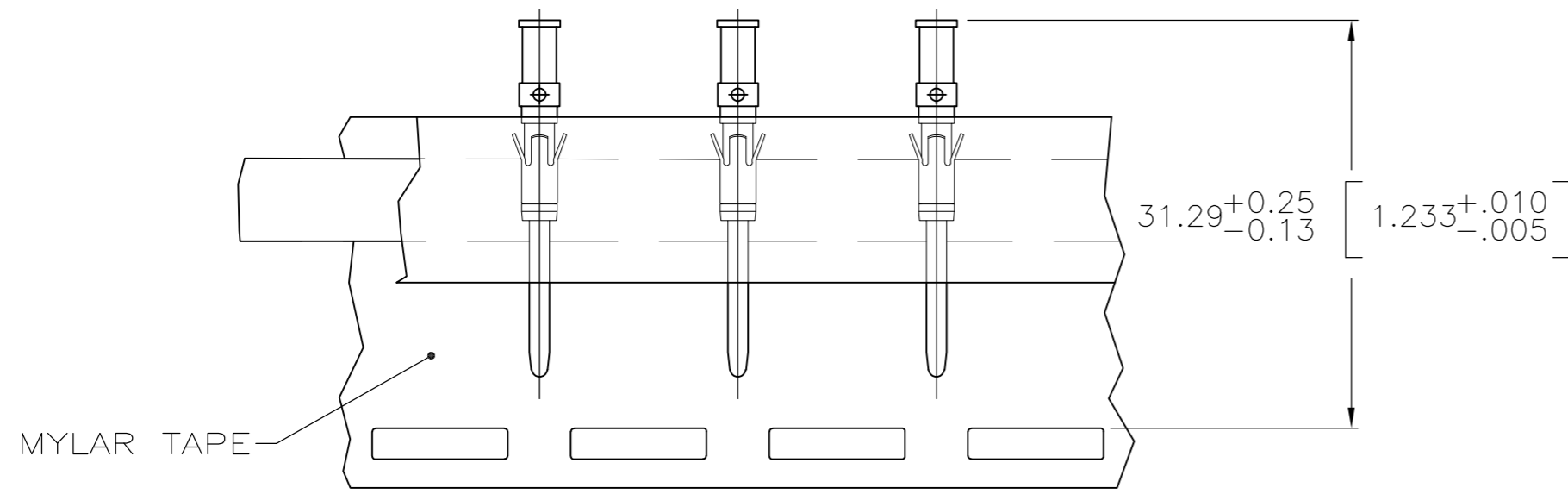
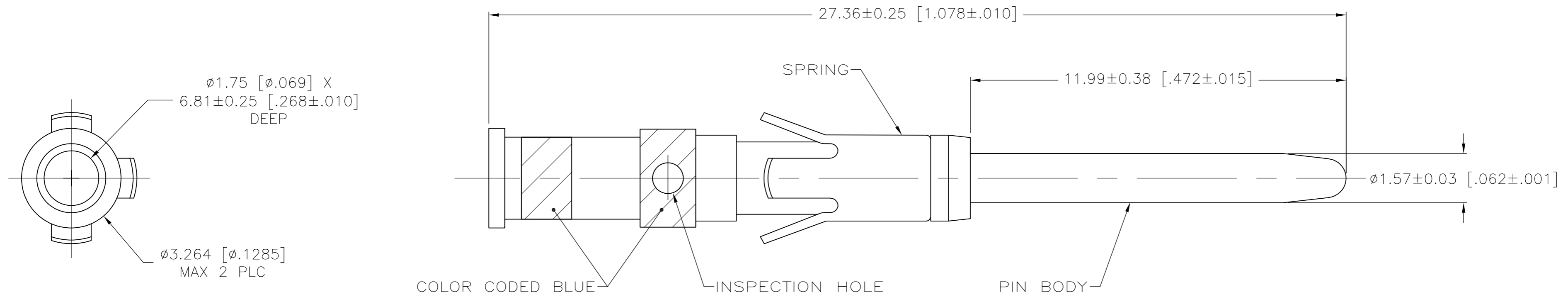


THIS DRAWING IS UNPUBLISHED. RELEASED FOR PUBLICATION
 © COPYRIGHT BY TYCO ELECTRONICS CORPORATION. ALL RIGHTS RESERVED.

LOC	DIST	REVISIONS					
FT	0	P	LTR	DESCRIPTION	DATE	DWN	APVD
		AL		REVISED PER 0G3B-1173-04	1/5/05	SS	GS
		AL1		REVISED PER ECO-09-021826	11JAN10	KK	AEG



TAPE MTG DETAIL
SCALE 2:1

NOTES:

- ① 0.76um [.000030] MIN GOLD OVER 1.27um [.000050] MIN NICKEL.
- ② 1.27um [.000050] MIN TIN-LEAD OVER 1.2um [.000050] MIN NICKEL.
- ③ WHEN ORDERING CONTACT ASSEMBLY ON TAPE, ORDER BY THE TAPE NUMBER PLUS PACKAGING CODE AS FOLLOWS:
 - 1. FOR USE WITH AMP TAPETRONIC, PNEUMATIC TOOL
 - A. 1000 PARTS TO A BOX ADD PACKAGING CODE: 1MBOX
 - 2. FOR USE WITH 4/8 INDENT STRIPPER CRIMPER
 - A. 1000 PARTS TO A REEL ADD PACKAGING CODE: 1MREEL
 - B. 5000 PARTS TO A REEL ADD PACKAGING CODE: 5MREEL
- 4. CONTACT ACCEPTS 16-18 WIRE SIZE.
- ⑤ 7.62 um [.000300] MIN 60/40 MATTE TIN-LEAD OVER 1.27 um [.000050] MIN NICKEL.
- ⑥ 7.62um[.000300] MIN 93/7 TIN/LEAD OVER 1.27um[.000050] MIN NICKEL.
- ⑦ NO COLOR CODED BANDS.
- ⑧ 7.62um[.000300] MIN TIN OVER 1.27um[.000050] MIN NICKEL.
- ⑨ OBSOLETE PARTS: OBSOLETE CIS STREAMLINING PER D.RENAUD/D.SINISI

⑨ OBSOLETE	STANDARD	⑧ ⑦	1-200336-7
⑨ OBSOLETE	STANDARD	⑥ ⑦	1-200336-6
⑨ OBSOLETE	STANDARD	⑤ ⑦	1-200336-5
⑨ OBSOLETE	SMALL PACK	①	1-200336-4
⑨ OBSOLETE	STANDARD	②	1-200336-3
	TAPE MTG (SEE DETAIL) ③	①	200336-6
	STANDARD	①	200336-1
PACKAGING TYPE		PIN BODY FINISH	PART NO.

THIS DRAWING IS A CONTROLLED DOCUMENT.		DWN 04/06/93 D.GELTZ	Tyco Electronics Corporation Harrisburg, PA 17105	
DIMENSIONS: MM		CHK 4-26-93 R.STONE	CONTACT ASSEMBLY, PIN, #16, TYPE II	
TOLERANCES UNLESS OTHERWISE SPECIFIED:		APVD -	SIZE A2	CAGE CODE 00779
0 PLC ± -	1 PLC ± -	PRODUCT SPEC -	DRAWING NO C=200336	RESTRICTED TO -
2 PLC ± -	3 PLC ± -	APPLICATION SPEC -	SCALE 10:1	SHEET 1 OF 1
4 PLC ± -	ANGLES ± -	WEIGHT -	REV AL1	
MATERIAL: PIN BODY: COPPER ALLOY SPRING: STAINLESS STL	FINISH: PIN BODY: SEE TABLE	CUSTOMER DRAWING		

X-ON Electronics

Largest Supplier of Electrical and Electronic Components

Click to view similar products for [Standard Circular Contacts](#) category:

Click to view products by [TE Connectivity](#) manufacturer:

Other Similar products are found below :

[RC16M23J](#) [133780-1](#) [RM20M13D28](#) [RMMX110-1D28](#) [ELFH02211](#) [ELVP16100E](#) [164-901-CD](#) [BACS16X1A](#) [EN3545007SCE](#)
[BV002BSQ20049CZ](#) [BV002SSQ160404CZ](#) [1900ND05S1B00B](#) [SJS862201](#) [166566-1](#) [1900ND04S1X00D](#) [ST-JL05-20S-C1-100](#) [ST-JL05-20S-C2-100](#) [T01-CRIMP-S03](#) [APK-SA16A07-002](#) [27963-15T12](#) [CONT-JL05-08S-C2-10](#) [CONT-JL05-12S-C1-10](#) [RC16M-23T](#) [RFD26L-1D28](#) [BV002ASJ16049CW](#) [33505815019](#) [JN1-22-20S-R-PKG100](#) [031-50213](#) [031-50794](#) [ELFH08251](#) [ELFP0641GE](#) [SJS861301M](#) [ST-JL05-16S-C1-100](#) [ST-JL05-20P-C1-100](#) [82911466K](#) [82911467NK](#) [ESLM03200](#) [192991-0087](#) [192900-0570](#) [ELFH07251](#) [M12883/40-07S](#)
[BACS16X3A](#) [T3P16FC3LZ](#) [ZP-4016-10NF](#) [CONT-JL05-12P-C1-10](#) [RM20M12G8D28](#) [031-50676](#) [12115010110](#) [RJFTVC2MG](#) [CAP-DACMDPC2](#)