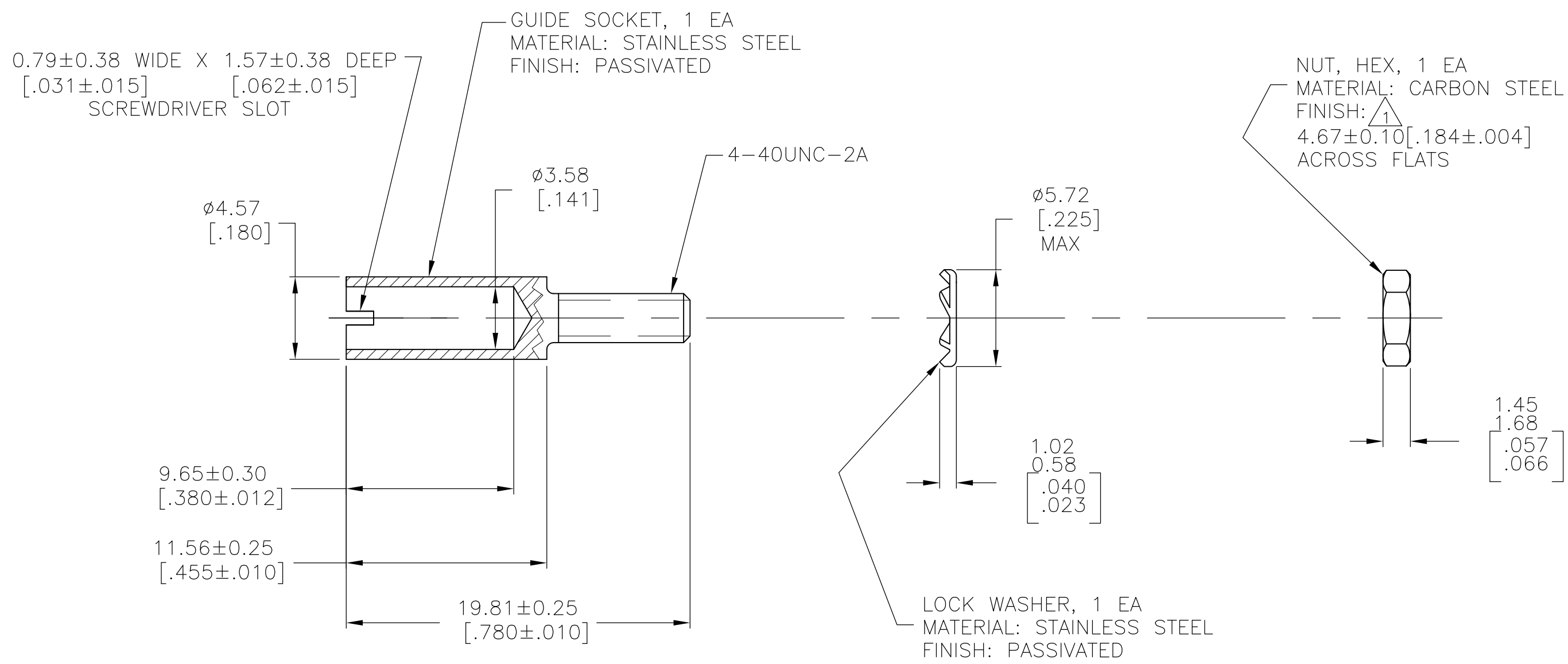


THIS DRAWING IS UNPUBLISHED. RELEASED FOR PUBLICATION
 © COPYRIGHT - By - ALL RIGHTS RESERVED.

| REVISIONS | | | | | |
|-----------|-----|---------------------------|-----------|-----|------|
| P | LTR | DESCRIPTION | DATE | DWN | APVD |
| | Y1 | REVISED PER ECO-16-004000 | 08OCT2016 | NK | MZ |



| | |
|------------------------|-----------------------|
| ³ OBSOLETE | 1-200390-0 |
| | 200390-9 |
| SUPERSEDED BY 200390-9 | 200390-2 |
| | PART NUMBER |

- ¹ ZINC PLATE.
- ³ SPECIAL PACKAGING - ONE UNASSEMBLED UNIT PER BAG

| | | | | | |
|--|--|------------------------------|---|------------------------|--------------------|
| THIS DRAWING IS A CONTROLLED DOCUMENT. | | DWN W.G.LENKER 1-20-95 | STE TE Connectivity | | |
| | | CHK R.STONE 1-24-95 | | | |
| DIMENSIONS: mm [INCHES] | | APVD - | NAME | | |
| TOLERANCES UNLESS OTHERWISE SPECIFIED: | | PRODUCT SPEC - | CENTER GUIDE SOCKET KIT, UNASSEMBLED, M SERIES | | |
| MATERIAL SEE CALLOUT | | FINISH SEE CALLOUT | APPLICATION SPEC - | SIZE A3 | CAGE CODE 00779 |
| | | | RESTRICTED TO - | DRAWING NO C-200390 | SCALE 4:1 |
| | | | | SHEET 1 OF 1 | REV Y1 |
| | | | | CUSTOMER DRAWING | |

X-ON Electronics

Largest Supplier of Electrical and Electronic Components

Click to view similar products for [Rack & Panel Connectors](#) category:

Click to view products by [TE Connectivity](#) manufacturer:

Other Similar products are found below :

[00171410002](#) [00171420202](#) [00171440002](#) [02-014-013-5200-000](#) [613467-000](#) [CTJ112E01E-513](#) [CTJ116E03A-513](#) [66020-2](#) [CW8958-000](#)
[699886-000](#) [D250-50632](#) [70.400.3240.0](#) [70.955.2453.3](#) [733753-000](#) [F22831-000](#) [780-522-DPX34RG8-02](#) [8660-501](#) [87.060.0053.0](#)
[900709N001](#) [928358-1](#) [D-659-0061](#) [1-445717-6](#) [1484469-2](#) [1604997-2](#) [MTC100-BF1-P31CS015](#) [MTC100-KT2-0083](#) [MTC100-KT2-0123-](#)
[003](#) [MTC100-YA1-005](#) [MTCQKT1R2PGCA](#) [MTCR-103-04S](#) [MTCX1X-100-100CS025](#) [1738331-1](#) [1757667-1](#) [1811481-1](#) [1883433-1](#)
[201046-7](#) [202648-4](#) [213364-1](#) [226503-000](#) [937028-164](#) [1663130-2](#) [172305-4](#) [F36711-000](#) [202355-2](#) [202356-2](#) [G16S-A](#) [G20S-AB](#) [CHA-](#)
[0017-003](#) [CHA-0296](#) [354654-000](#)