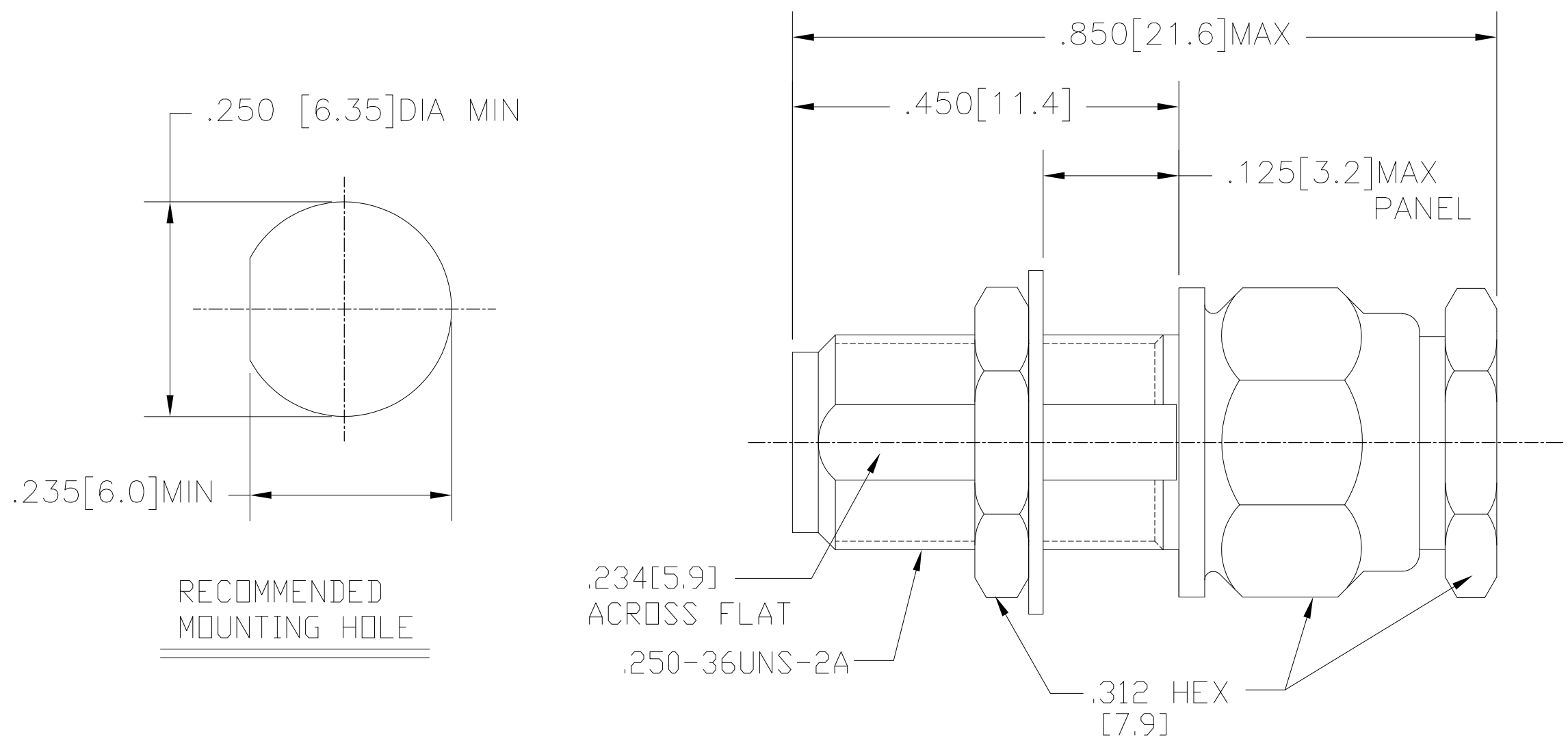


THIS DRAWING IS UNPUBLISHED. RELEASED FOR PUBLICATION
 © COPYRIGHT BY TYCO ELECTRONICS CORPORATION. ALL RIGHTS RESERVED.

LOC	DIST	REVISIONS					
AJ	00	P	LTR	DESCRIPTION	DATE	DWN	APVD
		B		REV PER ECO-09-013650	-	ANS	BOB



NOTES:
 1. CAPTURED CENTER CONTACT
 2. DESIGNED FOR USE WITH RG-195/U OR OTHER CABLES HAVING SIMILAR COMPONENT DIAMETERS

- ① BRASS
- ② STAINLESS STEEL
- ③ BERYLLIUM COPPER
- ④ PHOSPHOR BRONZE
- ⑤ PTFE
- ⑥ SILICONE RUBBER
- ⑦ GOLD PLATE
- ⑧ NICKEL PLATE
- ⑨ PASSIVATE
- ⑩ WHITE BRONZE PLATE

ELECTRICAL	MECHANICAL	ENVIRONMENTAL
Nominal Impedance (Ohms) <u>50</u>	Interface Dimensions MIL-STD-348A, Fig. 310.1	TEMPERATURE RATING -40° TO +95° DURABILITY:500 CYCLES
Frequency Range (GHz) DC to 6	Recommended Mating Torque <u>7-10 In-Lbs</u>	
Volt Rating (VRMS MAX) @ Sea Level <u>250</u>	Mating Characteristics:	.XXX = in XX.X = mm
VSWR <u>1.18 + .02f(GHz)</u>	Insertion (MAX Lbs) N/A	
Insertion Loss (dB MAX) <u>.07 √f GHz</u>	Withdrawal (MIN Oz) N/A	
Dielectric Withstanding Voltage (VRMS MIN) @ Sea Level <u>750</u>	Force to Engage and Disengage (In-Lbs MAX) <u>2</u>	
Contact Resistance (Milliohms MAX) Center Contact <u>5.0</u>	Center Contact Captivation Axial (Lbs) <u>6 Min</u>	
Outer Contact <u>3.0</u>	Radial (In-Oz) N/A	
Cable to Housing <u>0.5</u>	Cable Retention Axial Force (Lbs) <u>20 MIN</u>	
RF High Potential @ Sea Level (VRMS MIN @ 5 MHz) <u>500</u>	Torque (In-Oz) N/A	
I.R.(Megohms MIN) <u>5,000</u>	Weight (Grams) TBD	

① ⑧	① ⑧	③ ⑦	⑤	① ⑧	④ ⑧	① ⑩	1050999-3
② ⑦	① ⑦	③ ⑦	⑤	② ⑦	② ⑦	② ⑦	1050999-1
CLAMP NUT	COLLAR	CENTER CONTACT	DIELECTRIC	HOUSING	LOCK WASHER	MOUNTING NUT	TE PN.

THIS DRAWING IS A CONTROLLED DOCUMENT.

DWN	ANSON MA	2Jul09
CHK	RITA ZUO	2Jul09
APVD	BOB_ZHAO	2Jul09
PRODUCT SPEC		
APPLICATION SPEC	408-4938	
WEIGHT	-	
CUSTOMER DRAWING		

Tyco Electronics Corporation
Kunshan, Jiangsu, RPC 215312

OSM STRAIGHT CABLE(RG-195/U)
JACK CLAMP ATTACHMENT

SIZE	CAGE CODE	DRAWING NO	RESTRICTED TO
A2	00779	C=1050999	-
SCALE	SHEET	REV	
5:1	1 of 1	B	

X-ON Electronics

Largest Supplier of Electrical and Electronic Components

Click to view similar products for [RF Connectors](#) / [Coaxial Connectors](#) category:

Click to view products by [TE Connectivity](#) manufacturer:

Other Similar products are found below :

[R125315120](#) [8915-1511-000](#) [89674-0827](#) [5916-1103-603](#) [6-0001-3](#) [6001-7071-019](#) [6002-7051-003](#) [6002-7551-202](#) [6059674-1](#) [619550-1](#)
[630059-000](#) [M39012/25-0021](#) [M39012/79-3008](#) [M39030/3-01N](#) [M39030/3-03N](#) [M3933/25-36N](#) [6500-7071-046](#) [M83723/72W24576](#)
[M83723/72W2457N](#) [6769](#) [CX050L2AQ](#) [7002-1541-010](#) [7002-1572-002](#) [7003-1572-002](#) [7010-1511-000](#) [7029-1511-060](#) [7101-1541-010](#)
[7101-1571-002](#) [7105-1521-002](#) [7145-1521-002](#) [7209-1511-011](#) [7210-1511-015](#) [7210-1511-019](#) [7225-1512-050](#) [7242-1511-000](#) [73137-5015](#)
[73251-0111](#) [73251-0672](#) [7325-1512-000](#) [73276-1501](#) [73366-0013](#) [73404-2300](#) [73413-6080](#) [73415-5721](#) [7405-1521-005](#) [7405-1521-802](#)
[7406-1521-005](#) [804S01D04M040](#) [8145-1521-002](#) [81590](#)