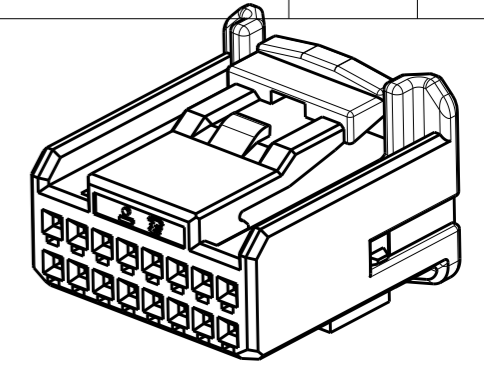
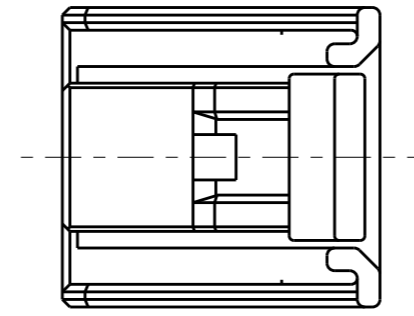
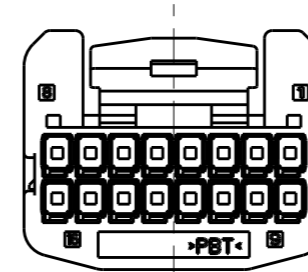
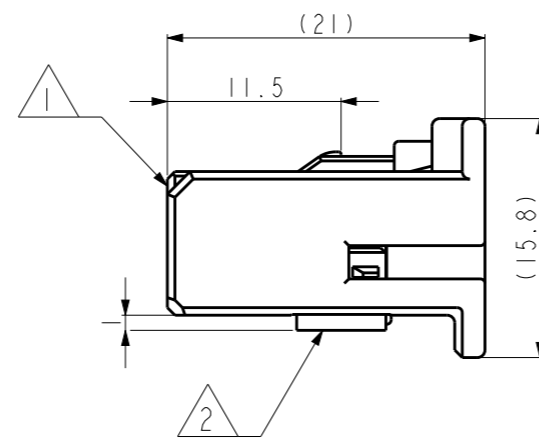
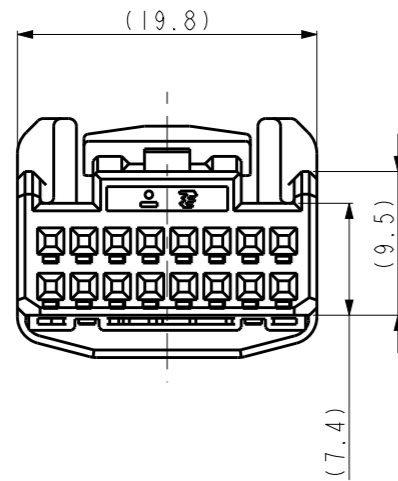


| P | LTR | DESCRIPTION            | DATE      | DWN | APVD |
|---|-----|------------------------|-----------|-----|------|
|   | A4  | REVISED(ECR-19-002479) | 15.FEB.19 | HH  | YJ   |
|   | A3  | REVISED(ECR-16-005213) | 11.APR.16 | HH  | YJ   |



ISO VIEW  
SCALE 2/1



| DESCRIPTION | ASS'Y P/N |
|-------------|-----------|
| PLUG ASS'Y  | 2005076-8 |
| PLUG ASS'Y  | 2005076-2 |
| PLUG ASS'Y  | 2005076-1 |

NOTE

- PART NUMBER OF CAP HOUSING TO BE MATED : 2005079
- APPLIED TERMINAL : SEE TABLE I
- GENERAL TOLERANCE :  $\pm 0.3$ ,  $\pm 3^\circ$

| NO. | DESCRIPTION | FINISH/COLOR | Q'TY  |
|-----|-------------|--------------|-------|
| 2   | DBL HSG     | NATURAL      | I I I |
| 1   | PLUG HSG    | BLUE         | I     |
|     | PLUG HSG    | BLACK        | I     |
|     | PLUG HSG    | NATURAL      | I     |

TABLE I

| P/NO      | FINISH  | WIRE RANGE  |
|-----------|---------|-------------|
| 2005097-1 | PRE-TIN | 0.13 ~ 0.22 |
| 2005427-1 | PRE-TIN | 0.3 ~ 0.5   |

|   |  |                  |  |                            |  |
|---|--|------------------|--|----------------------------|--|
| THIS DRAWING IS A CONTROLLED DOCUMENT.  |  | DWN<br>SJ CHOI   |  | TE Connectivity            |  |
| DIMENSIONS:<br>mm   |  | CHK<br>SJ CHOI   |  |                            |  |
|   |  | APVD<br>JW JUNG  |  | NAME<br>025 16P PLUG ASS'Y |  |
| TOLERANCES UNLESS OTHERWISE SPECIFIED:  |  | PRODUCT SPEC     |  | SIZE<br>A3                 |  |
| 0 PLC $\pm$<br>1 PLC $\pm$ $\pm 0.3$<br>2 PLC $\pm$ $\pm 3^\circ$<br>3 PLC $\pm$<br>4 PLC $\pm$<br>ANGLES $\pm$ |  | APPLICATION SPEC |  | CAGE CODE<br>00779         |  |
| MATERIAL<br>SEE TABLE   |  | WEIGHT           |  | DRAWING NO<br>C-2005076    |  |
| FINISH<br>-   |  | CUSTOMER DRAWING |  | RESTRICTED TO              |  |
|   |  | SCALE<br>2:1     |  | SHEET<br>1 OF 1            |  |
|   |  |                  |  | REV<br>A4                  |  |

## X-ON Electronics

Largest Supplier of Electrical and Electronic Components

*Click to view similar products for [Automotive Connectors](#) category:*

*Click to view products by [TE Connectivity](#) manufacturer:*

Other Similar products are found below :

[003-018-000](#) [60993906-B](#) [M902-2131](#) [M902-2161](#) [M902-2344](#) [72.330.1035.1](#) [73.353.4028.0](#) [F166900](#) [F358300-B](#) [F407400](#) [776880-1](#)  
[827153-1](#) [8N1515-32-24P](#) [9-1326729-8](#) [925474-1](#) [928905-1](#) [964562-4](#) [968782-1](#) [98891-1012](#) [12004475-L](#) [12020308](#) [12041318-B](#)  
[12052466](#) [12064869](#) [12015909](#) [1-21030-1](#) [12041254](#) [12041318](#) [12047946-B](#) [12110546-B](#) [12131792](#) [12084688](#) [12092346](#) [HD34-18-14PT](#)  
[HD46-24-23SN-059](#) [HDB36-24-16PN-059](#) [HDP26-24-9SE-L015](#) [12185280](#) [12185550](#) [12336-12](#) [12191172-B](#) [12S](#) [13545280](#) [13577943](#)  
[13681974](#) [13737722-B](#) [13830674](#) [13832576](#) [13849772](#) [13542772](#)