

4

3

2

1

THIS DRAWING IS UNPUBLISHED.

RELEASED FOR PUBLICATION

© COPYRIGHT

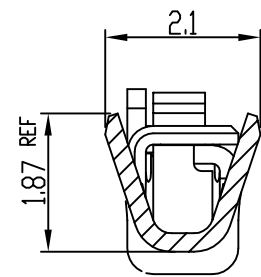
BY TYCO ELECTRONICS CORPORATION, ALL RIGHTS RESERVED.

LOC
DS

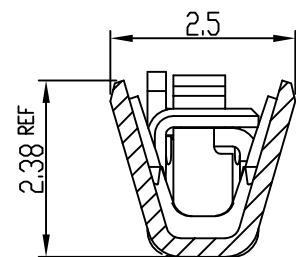
DIST
-

REVISIONS

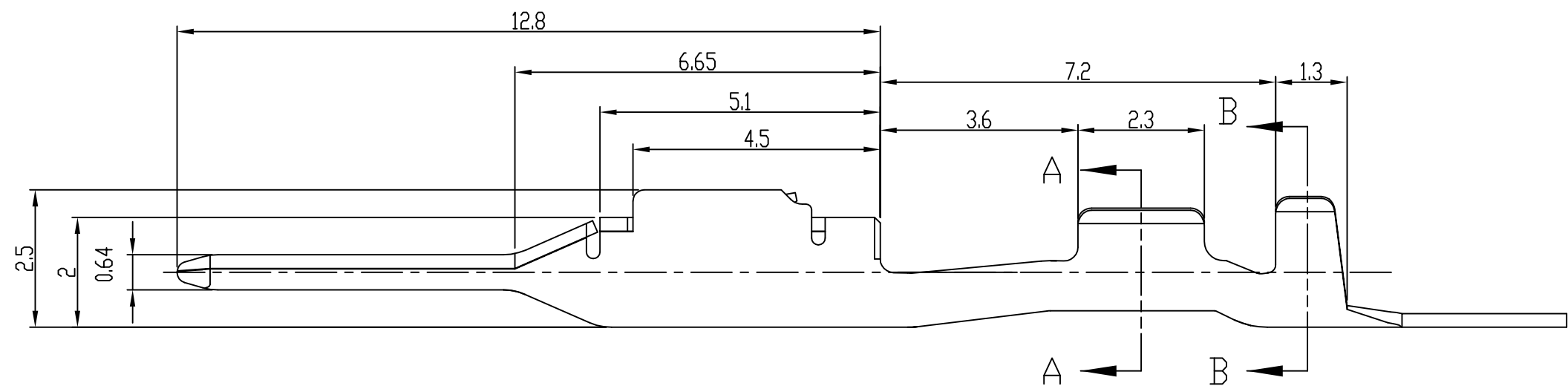
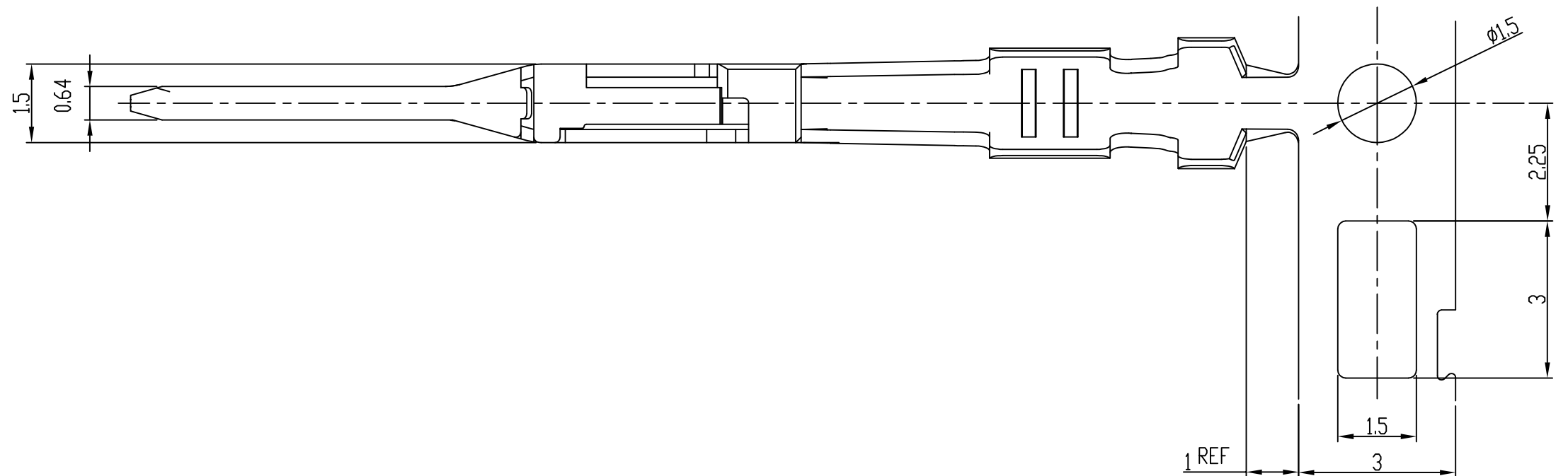
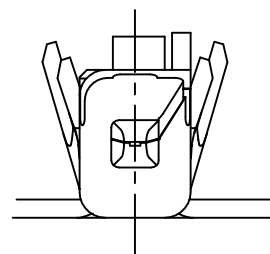
P	LTR	DESCRIPTION	DATE	DWN	APVD
	A1	REVISED (ECR-09-018695)	25.SEP.'09	KT	HG
	A2	REVISED (ECR-10-023563)	21.JUN.'11	KT	HG



A-A



B-B



NOTE

- 1. GENERAL TOLERANCE: ± 0.3 , $\pm 3^\circ$
- 2. APPLICABLE WIRE RANGE;

Conductor		Insulation Diameter	
Nominal Size	Calculated Cross-Section Area (mm ²)	Minimum (mm)	Maximum (mm)
0.3	0.37	1.1	1.5
0.5	0.56	1.3	1.7

- 3. APPLICATOR FEED: 7.5mm

② SELECTIVE GOLD	COPPER ALLOY	2005154-2
PRE-TIN	COPPER ALLOY	2005154-1
FINISH	MATERIAL	PART NUMBER

THIS DRAWING IS A CONTROLLED DOCUMENT FOR TYCO ELECTRONICS CORPORATION IT IS SUBJECT TO CHANGE AND THE CONTROLLING ENGINEERING ORGANIZATION SHOULD BE CONTACTED FOR THE LATEST REVISION.

DIMENSIONS: MM		TOLERANCES UNLESS OTHERWISE SPECIFIED:		DWN KT JUNG CHK KT LIM APVD HG CHD PRODUCT SPEC		NAME TE Connectivity			
				APPLICATION SPEC 114-61032		025 TH TAB CONTACT (S)			
				WEIGHT		SIZE	CAGE CODE	DRAWING NO	RESTRICTED TO
MATERIAL SEE TABLE		FINISH SEE TABLE		CUSTOMER DRAWING		A3	00779	C-2005154	-
SCALE 10/1						SHEET 1	OF 1	REV A2	

X-ON Electronics

Largest Supplier of Electrical and Electronic Components

Click to view similar products for [Automotive Connectors](#) category:

Click to view products by [TE Connectivity](#) manufacturer:

Other Similar products are found below :

[003-018-000](#) [60993906-B](#) [M902-2131](#) [M902-2161](#) [M902-2344](#) [72.330.1035.1](#) [73.353.4028.0](#) [F166900](#) [F358300-B](#) [F407400](#) [776880-1](#)
[827153-1](#) [8N1515-32-24P](#) [9-1326729-8](#) [925474-1](#) [928905-1](#) [964562-4](#) [968782-1](#) [98891-1012](#) [12004475-L](#) [12020308](#) [12041318-B](#)
[12052466](#) [12059716](#) [12064869](#) [12015909](#) [1-21030-1](#) [12041254](#) [12041318](#) [12047946-B](#) [12110546-B](#) [12131792](#) [12084688](#) [12092346](#)
[HD34-18-14PT](#) [HD46-24-23SN-059](#) [HDB36-24-16PN-059](#) [HDP26-24-9SE-L015](#) [12185280](#) [12185550](#) [12336-12](#) [12191172-B](#) [12S](#)
[13545280](#) [13577943](#) [13681974](#) [13737722-B](#) [13830674](#) [13832576](#) [13849772](#)